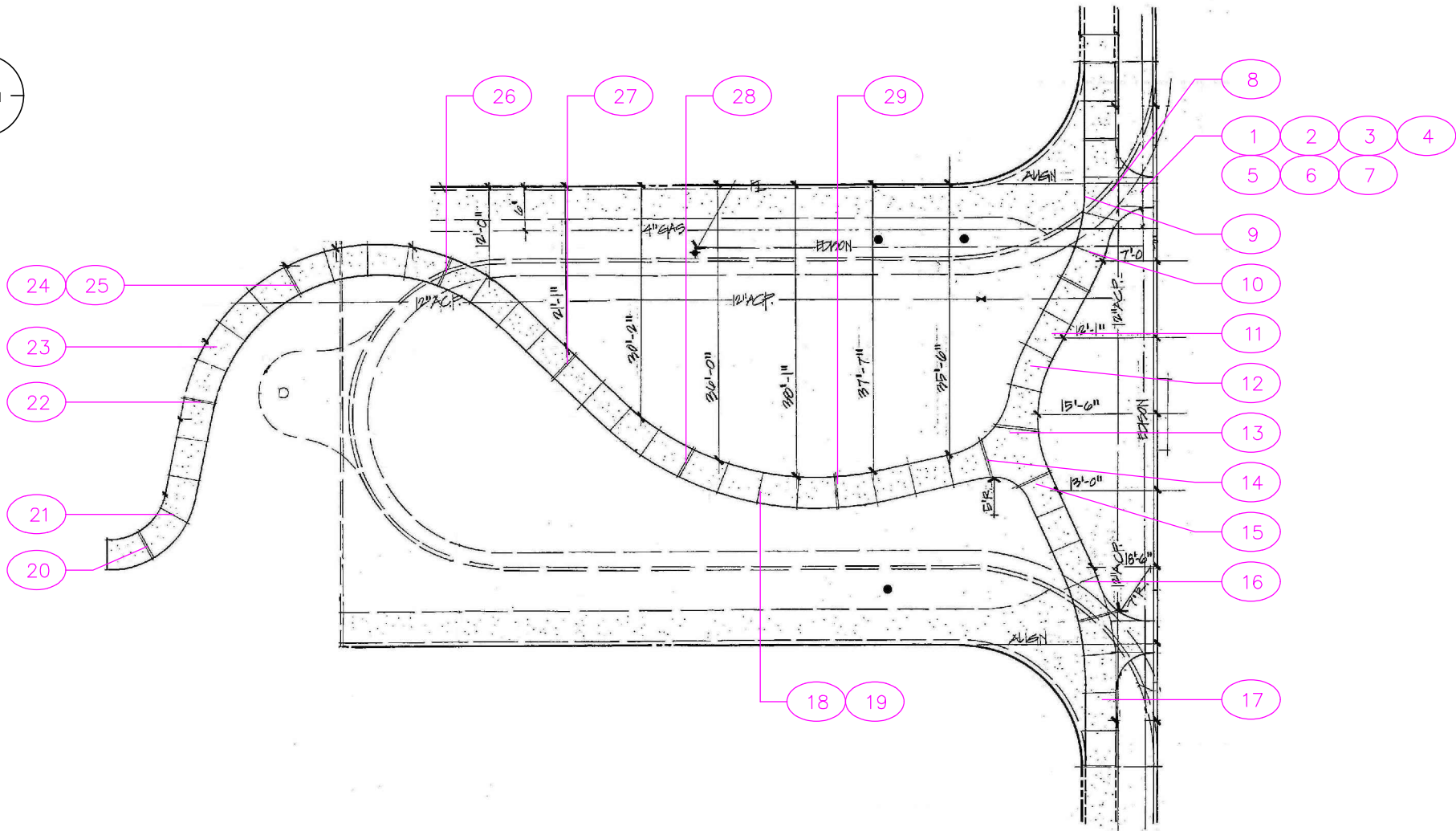
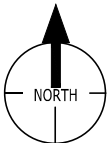


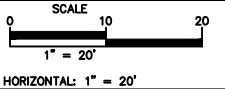
**FACILITY ID #3 - CLOVERCLIFF PARK**  
 28801 Golden Meadow Dr, Rancho Palos Verdes, CA 90275



CITY OF RANCHO PALOS VERDES	
_____ DIRECTOR OF PUBLIC WORKS	_____ DATE

NO.	DATE	DESCRIPTION	APPROVED
REVISIONS			

DESIGNED —  
 DRAWN — EK  
 CHECKED — LA  
 DATE 2/1/2019



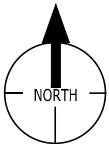
CITY OF RANCHO PALOS VERDES



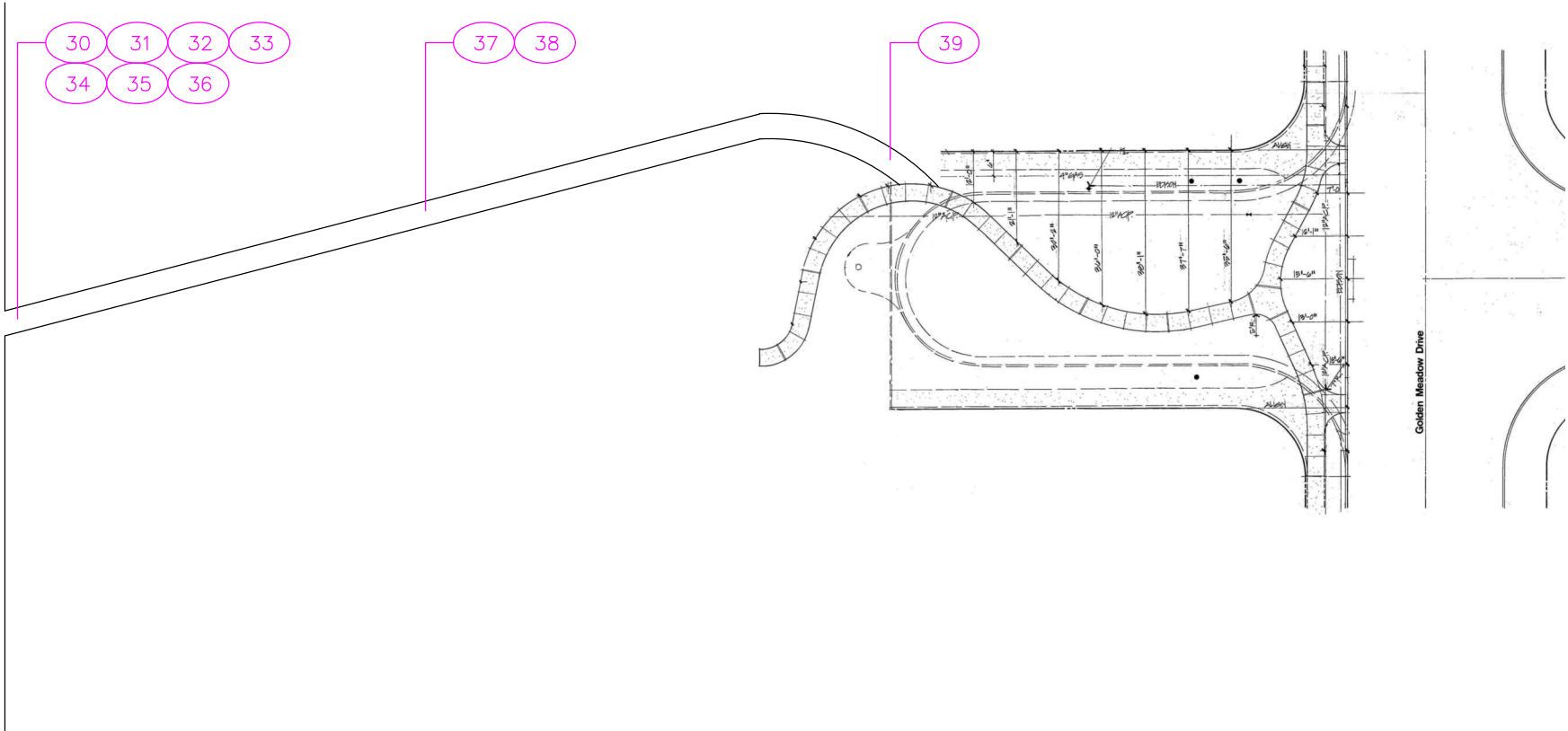
CITY OF RANCHO PALOS VERDES  
 ACCESSIBILITY SELF-EVALUATION AND TRANSITION PLAN

SHEET 1 OF 2  
 SHT. 1  
 PROJECT NO. 012811

**FACILITY ID #3 - CLOVERCLIFF PARK**  
 28801 Golden Meadow Dr, Rancho Palos Verdes, CA 90275



VIA CASTILLA

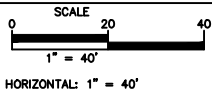


Golden Meadow Drive

CITY OF RANCHO PALOS VERDES	
DIRECTOR OF PUBLIC WORKS	DATE

NO.	DATE	DESCRIPTION	APPROVED
REVISIONS			

DESIGNED	—
DRAWN	EK
CHECKED	LA
DATE	9/1/2019



CITY OF RANCHO PALOS VERDES



CITY OF RANCHO PALOS VERDES  
 ACCESSIBILITY SELF-EVALUATION AND TRANSITION PLAN