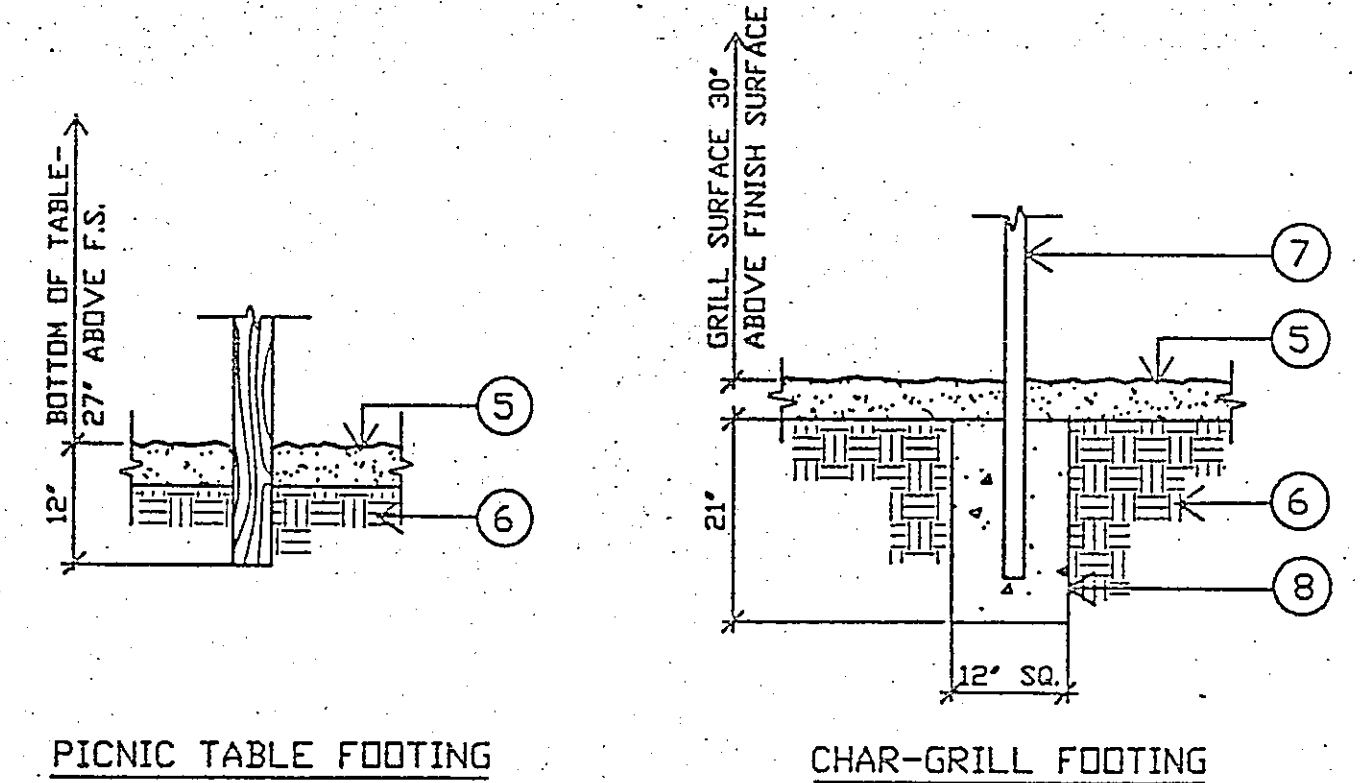
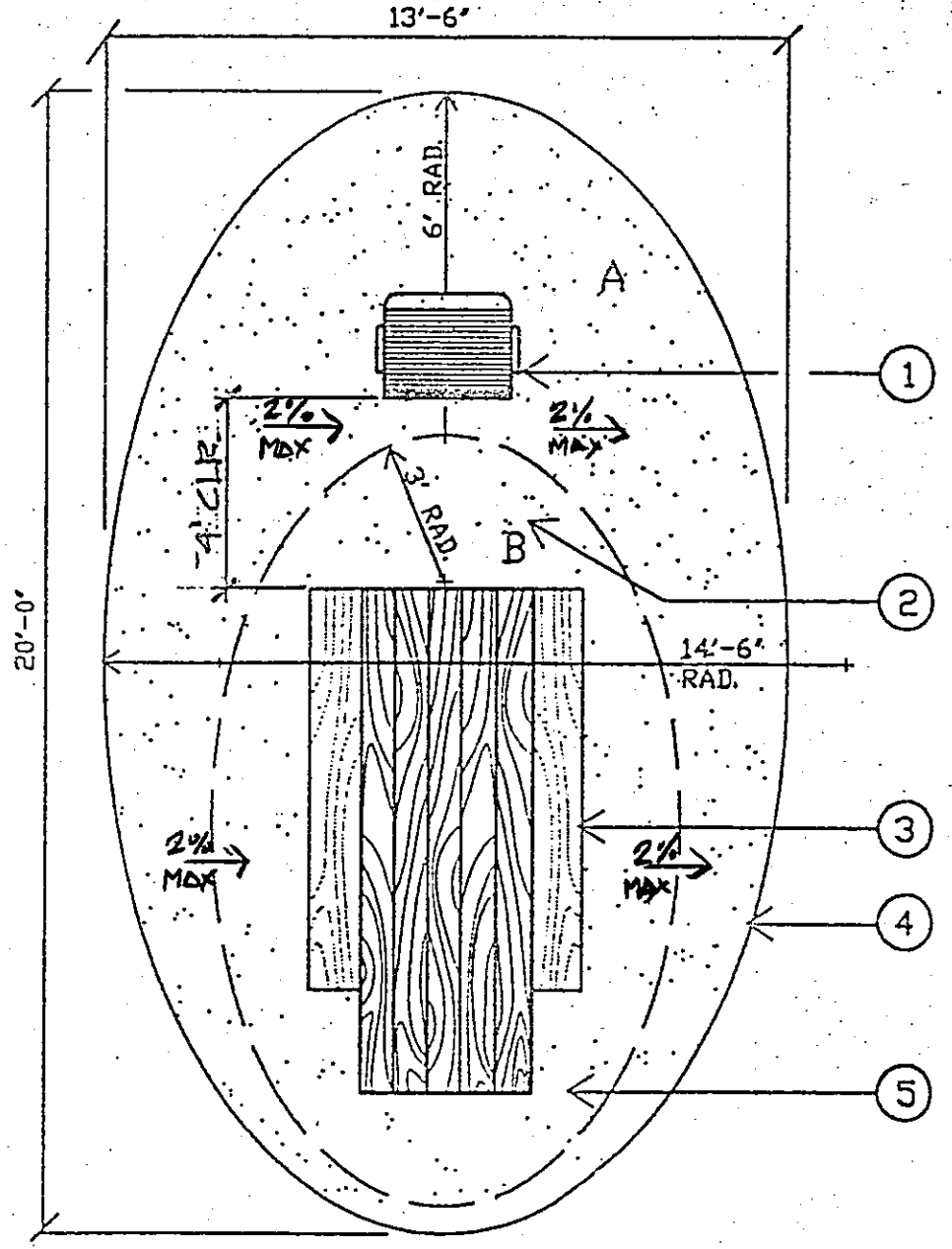
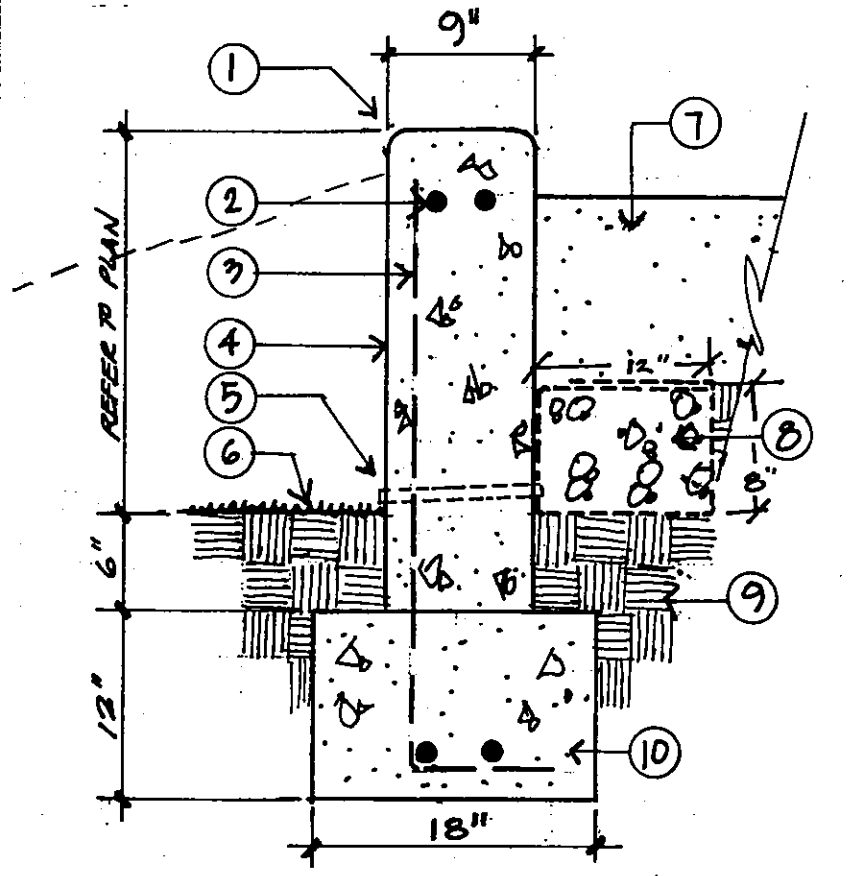


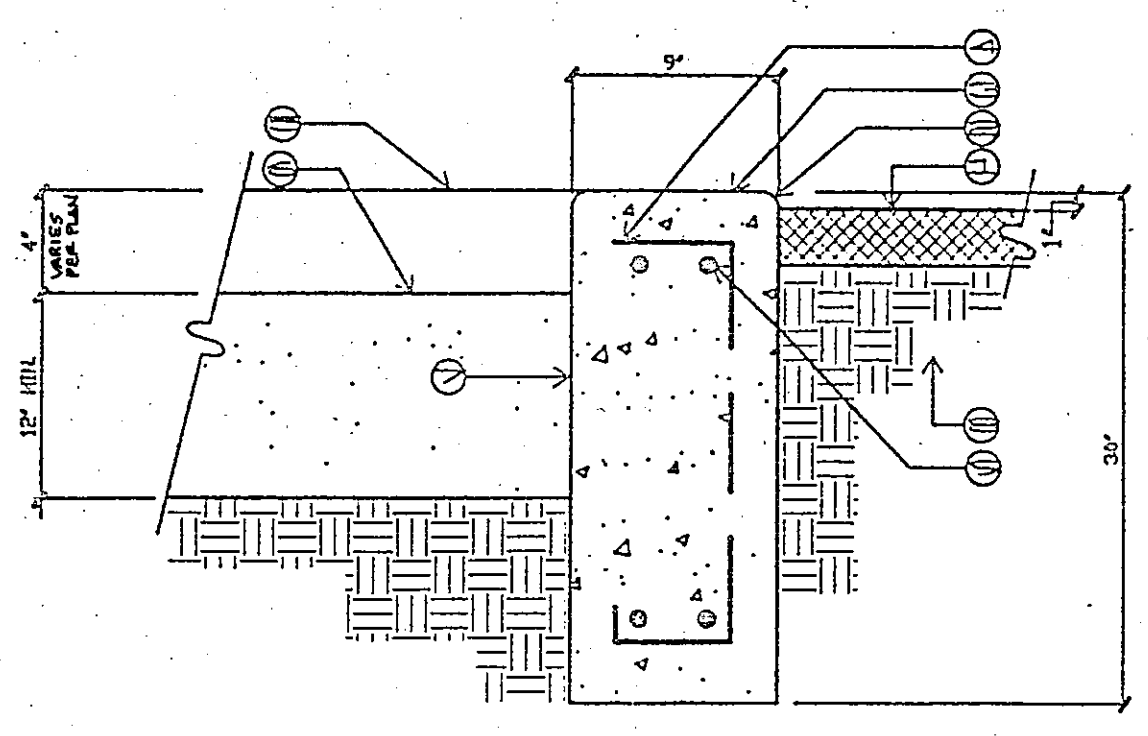
Landscape Construction 3 of 5
 Eastview Tot Lot Renovation

- LEGEND**
- 1/2" RADIUS
 - #4 BAR CONT. (4 REQ'D)
 - #4 BAR @ 30" O.C.
 - POURED IN PLACE CONC. TOT LOT CURB W/ RETARDANT FINISH
 - 1 1/2" PVC WEEP HOLES @ 4' O.C.
 - FINISH GRADE
 - 12" DEEP PLAY SAND
 - 3/4" DRAIN ROCK WRAPPED IN FILTER FABRIC W/ WEEP HOLES @ 4' O.C.
 - 90% COMPACTED SUBGRADE
 - CONC. FOOTING



- PICNIC TABLE FOOTING**
- CHAR-GRILL FOOTING**
- LEGEND**
- FRONT OF CHARWOOD GRILL #FC 1193 BELSON MANUF. CO. (213) 262-2477 (BIO MAT)
 - PICNIC AREAS WITHOUT GRILL - USE 16'X9' PAD SIZE - SEE PLAN FOR THIS CONDITION.
 - PICNIC TABLE - TIMBERFORM #2243-8 AND OR 2244-8. AVAILABLE THROUGH COLUMBIA CASCADE (714) 443-9276
 - (3) 1X4 REDWOOD HEADERS THIS SHEET
 - 4" DECOMPOSED GRANITE
 - 90% COMPACTED SUBGRADE
 - 1 1/2" STEEL PIPE
 - CONC. FOOTING

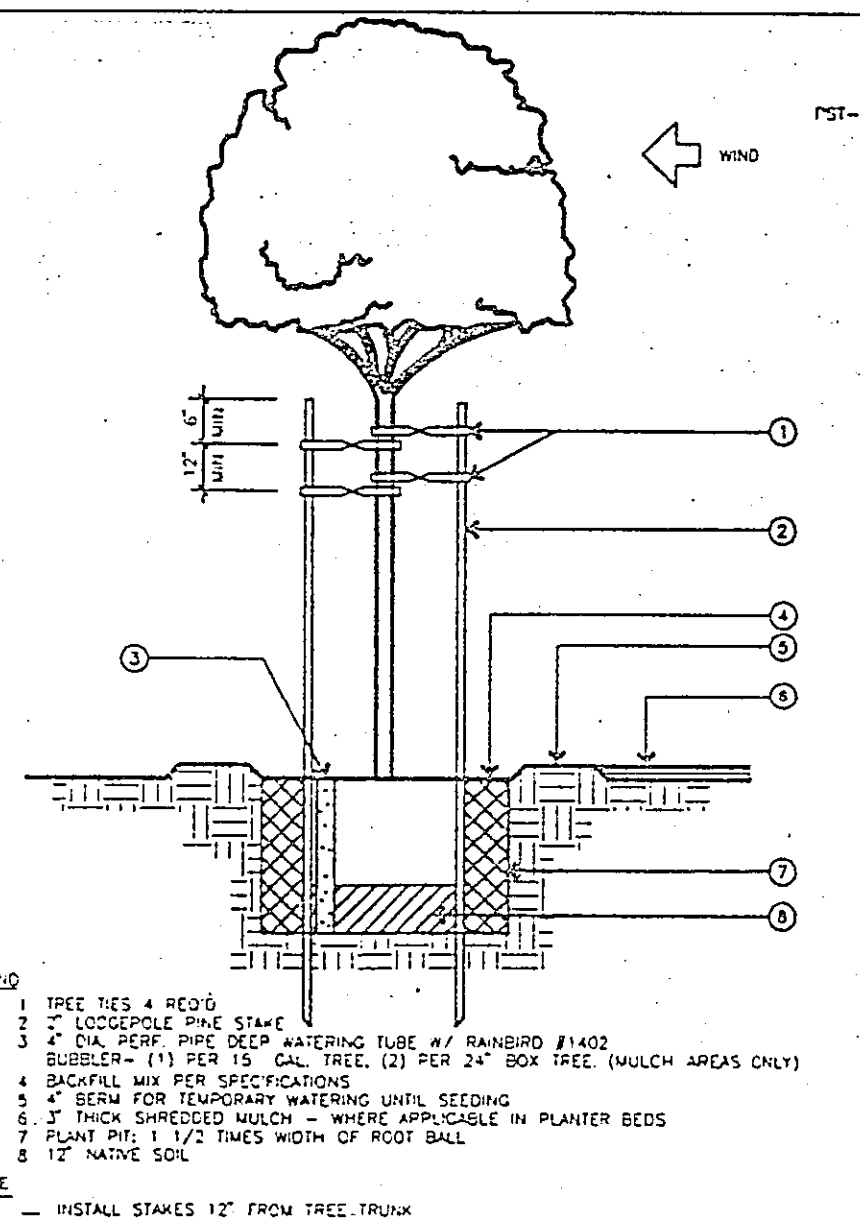
- LEGEND**
- 6" SHREDDED MULCH
 - 1/2" RADIUS ON ALL EXPOSED EDGES
 - CONCRETE CURB
 - #4 REBAR VERT. @ 30" O.C.
 - EDGE OF TOT-LOT CURB BEYOND PLAY SAND
 - 12" MIN. THICKNESS OF SAND SHALL BE MAINTAINED AT FACE OF CURB.
 - 90% COMPACTED SUBGRADE
 - #4 REBAR CONT. TOP & BOTTOM (24" MIN. LAP)




SMITHGALL ASSOCIATES INC
 LANDSCAPE ARCHITECTS
 23438 MADRID SUITE 250
 MISSION VIEJO, CA 92691
 TELEPHONE 714.837.5519
 FACSIMILE 714.837.6892

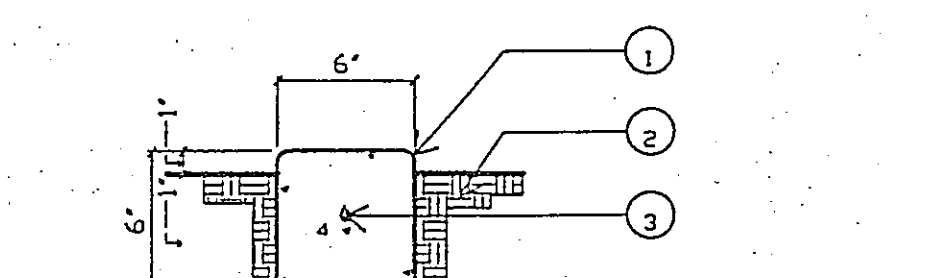
CITY OF RANCHO PALOS VERDES

L RAISED TOT-LOT CURB D PICNIC BENCH INSTALLATION A TOT LOT CURB



- LEGEND**
- TREE RES. 4 REQ'D
 - LOGSPOLE PINE STAKE
 - 2" DIA. HOSE PIPED DEEP WATERING TUBE W/ RAINBIRD #1402
 - BUBBLER - (1) PER 15' GAL. TREE, (2) PER 24" BOX TREE (MULCH AREAS ONLY)
 - BACKFILL W/ PER SPECIFICATIONS
 - BERM FOR TEMPORARY WATERING UNTIL SEEDLING
 - 2" THICK SHREDDED MULCH - WHERE APPLICABLE IN PLANTER BEDS
 - PLANT PIPE 1 1/2" TIMES WIDTH OF ROOT BALL
 - 12" NATIVE SOIL
- NOTE** - INSTALL STAKES 12" FROM TREE TRUNK

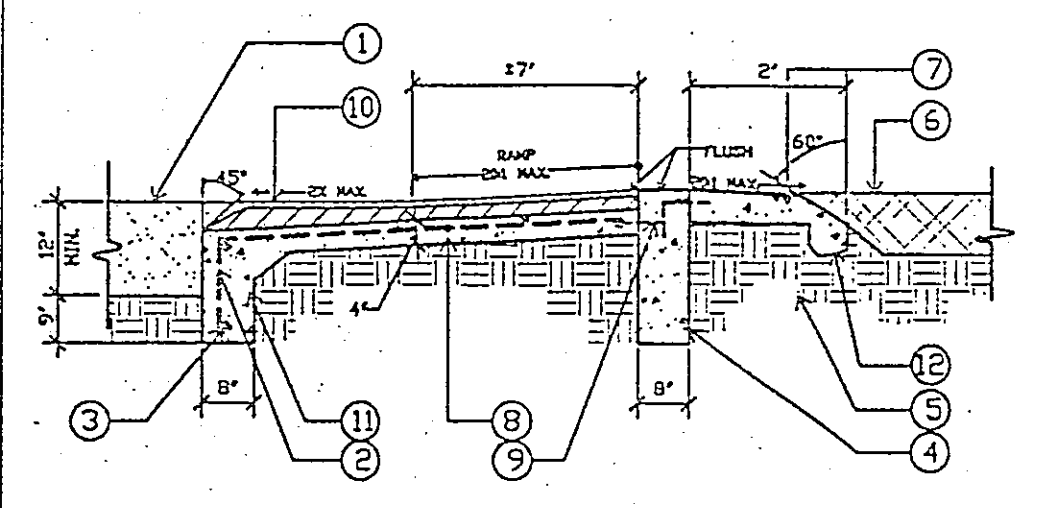
NOTE: PROVIDE SCORE JOINTS AT 10'-0" O.C. AND 3/8" BITUMINOUS FELT EXPANSION JOINTS AT 20'-0" O.C.



TYPICAL FOR MDW CURBS OVER 20' IN LENGTH

NOTE: PROVIDE SCORE JOINTS AT 10'-0" O.C. AND 3/8" BITUMINOUS FELT EXPANSION JOINT EACH END

- CONCRETE MDW CURB - RADIUS EXPOSED EDGES.
- FINISH GRADE
- #3 RE-BAR CONTINUOUS (UNLESS OTHERWISE INSTRUCTED)

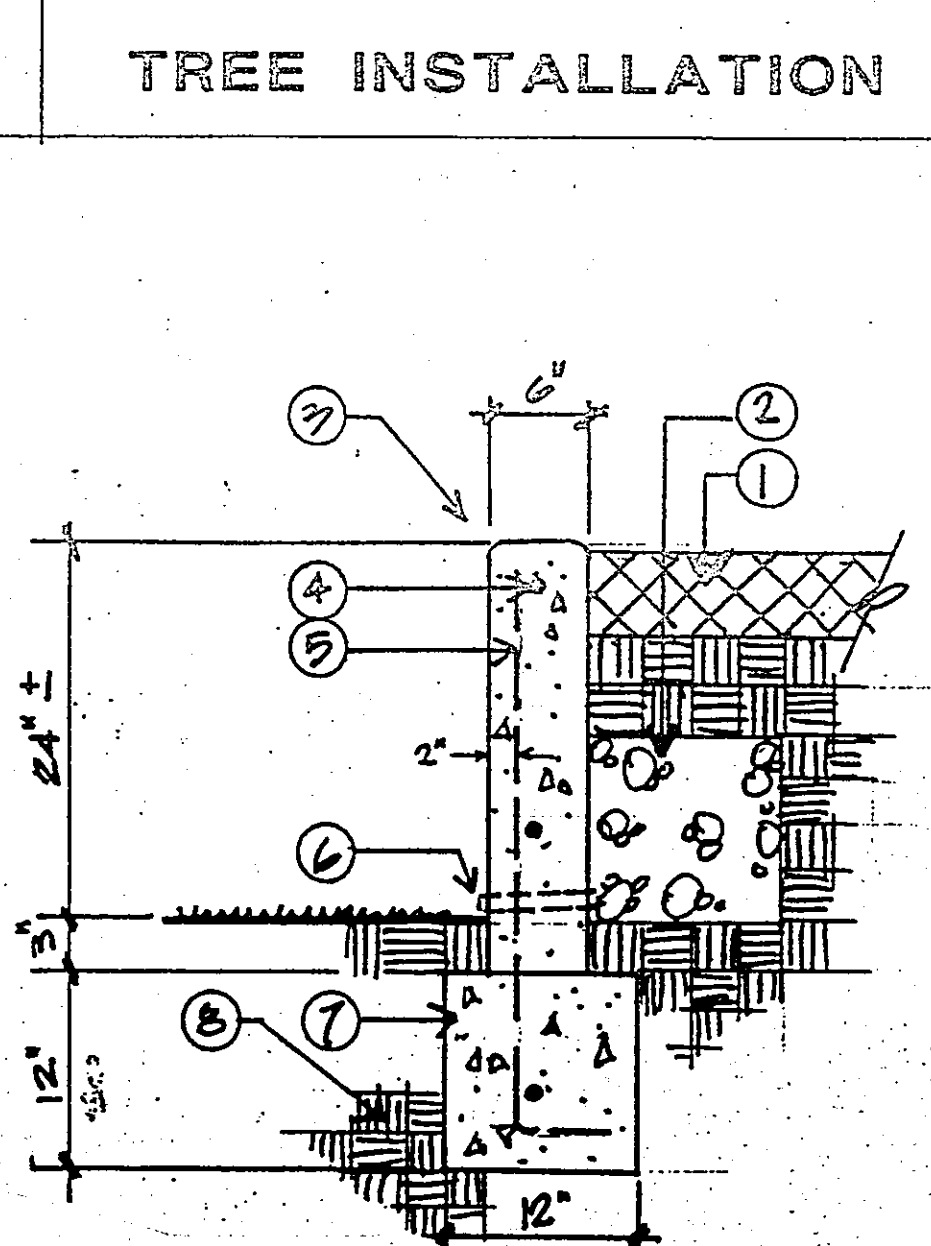


- LEGEND**
- TOTLOT SAND- FINISH SURFACE
 - #3 @ 32" O.C.
 - #3 CONT.
 - TOTLOT CURB- REFER TO DETAIL A THIS SHEET.
 - 90% COMPACTED SUBGRADE
 - 6" DEEP SHREDDED MULCH
 - 4" WIDE X 6" THK P.I.P. CONC. RAMP
 - P.I.P. CONC. RAMP
 - #3 BAR TIE (TYP)
 - 3/8" P.I.P. RUBBERIZED SURFACE OVER BASE MAT (REFER TO SCHEDULE FOR THICKNESS OF BASE MAT)
 - CONC. TOE MONOLITHICALLY POURED W/ RAMP
 - SHOVEL CUT FOOTING

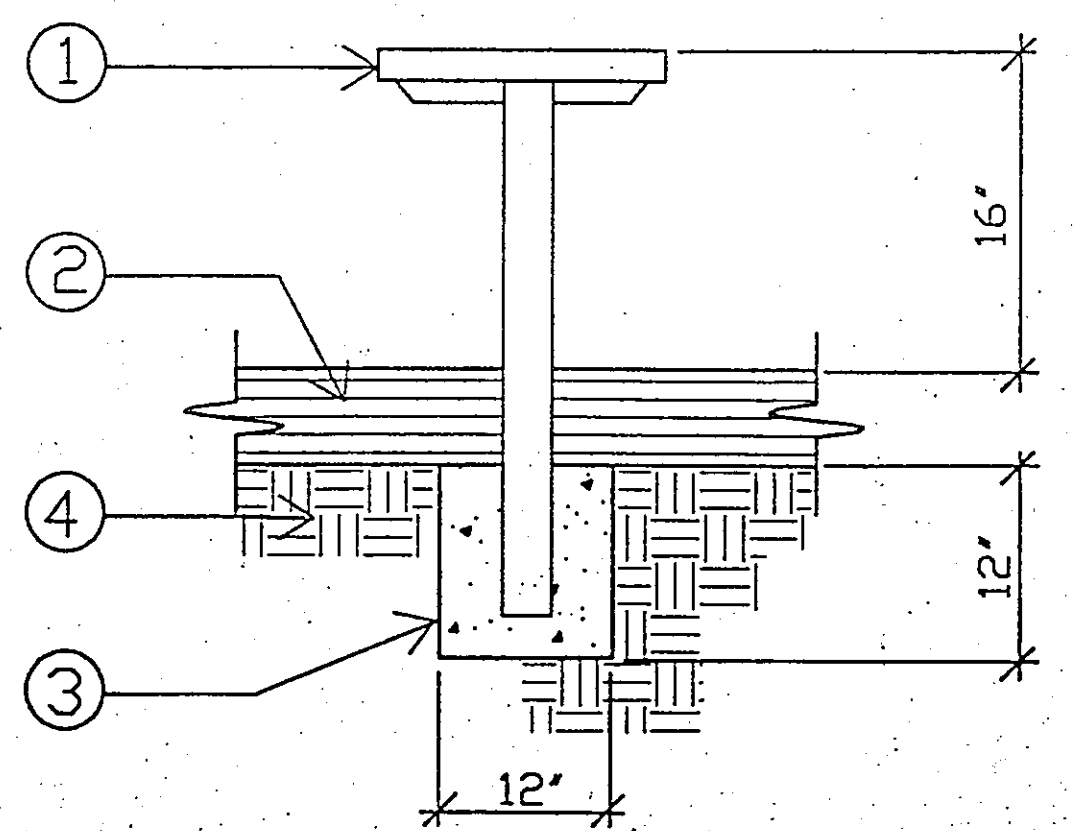
SURFACING BASE MAT THICKNESS SCHEDULE

PLAYLAND POURED-IN-PLACE	PLAY HEIGHT
1 1/2"	4'-9"
2"	5'-4"
2 1/2"	6'-11"
3"	7'-9"
3 1/4"	9'-5"

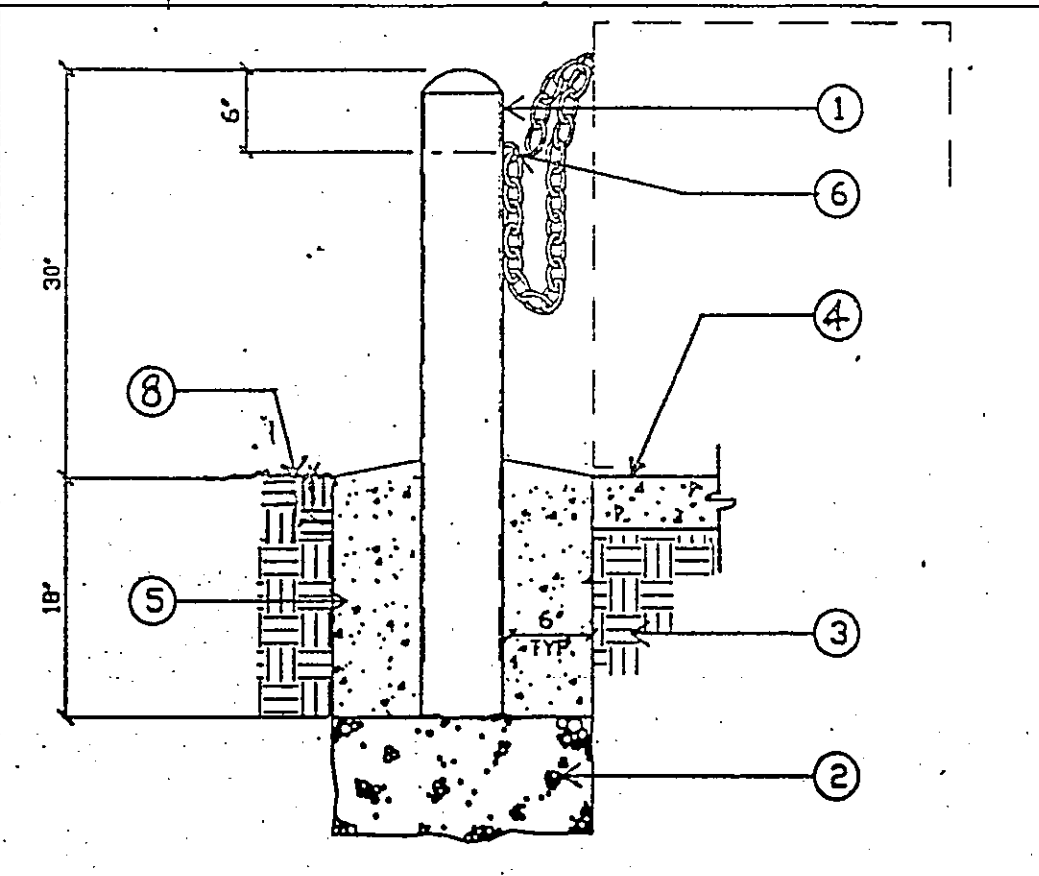
M TREE INSTALLATION E CONC. CURB B CONCRETE RAMP



- LEGEND**
- 6" THICK SHREDDED MULCH
 - 12" X 12" CONT. 3/4" DRAIN ROCK WRAPPED IN FILTER FABRIC W/ 1 1/2" PVC WEEP HOLES @ 4' O.C.
 - 1/2" RADIUS
 - #4 CONT. (8 PLACES)
 - #3 @ 16" O.C.
 - 1 1/2" PVC WEEP HOLE 1" ABOVE F.G.
 - CONC. FOOTING
 - 90% COMPACTED SUBGRADE



- LEGEND**
- BENCH- PER CONSTRUCTION LEGEND
 - 6" DEEP MULCH
 - CONCRETE FOOTING
 - 90% COMPACTED SUBGRADE



- LEGEND**
- 6" O.D. GALV. STEEL PIPE POWDER COAT PAINT- GLOSS BLACK.
 - 1 CU. FT. DRAIN ROCK
 - COMPACTED SUBGRADE
 - FINISH SURFACE
 - CONC. FOOTING
 - 1/2" DIA. S.S. EYE BOLT W/ 3/8" CHAIN (36" LENGTH)
 - FORMED MORTAR CAP
 - FINISH GRADE

NOTE: CHAIN TO BE WELDED LINK- LOCK PROVIDED BY CITY

N CONC. CURB WALL F BENCH INSTALLATION C TRASH RECEPTACLE POST

EASTVIEW PARK
TOT LOT RENOVATION
 FOR THE CITY OF
RANCHO PALOS VERDES, CA

Scale: N/A
 Drawn: M.S.
 Designed:
 Checked:
 Date: JULY 10, 1995
 Job No. 950266-07

Approvals
 Mary T. [Signature]
 PUBLIC WORKS DIRECTOR
 Date: 11-1-95

Revisions
 Date

Sheet Title
CONSTRUCTION AND PLANTING DETAILS

Sheet **3**
 of 5