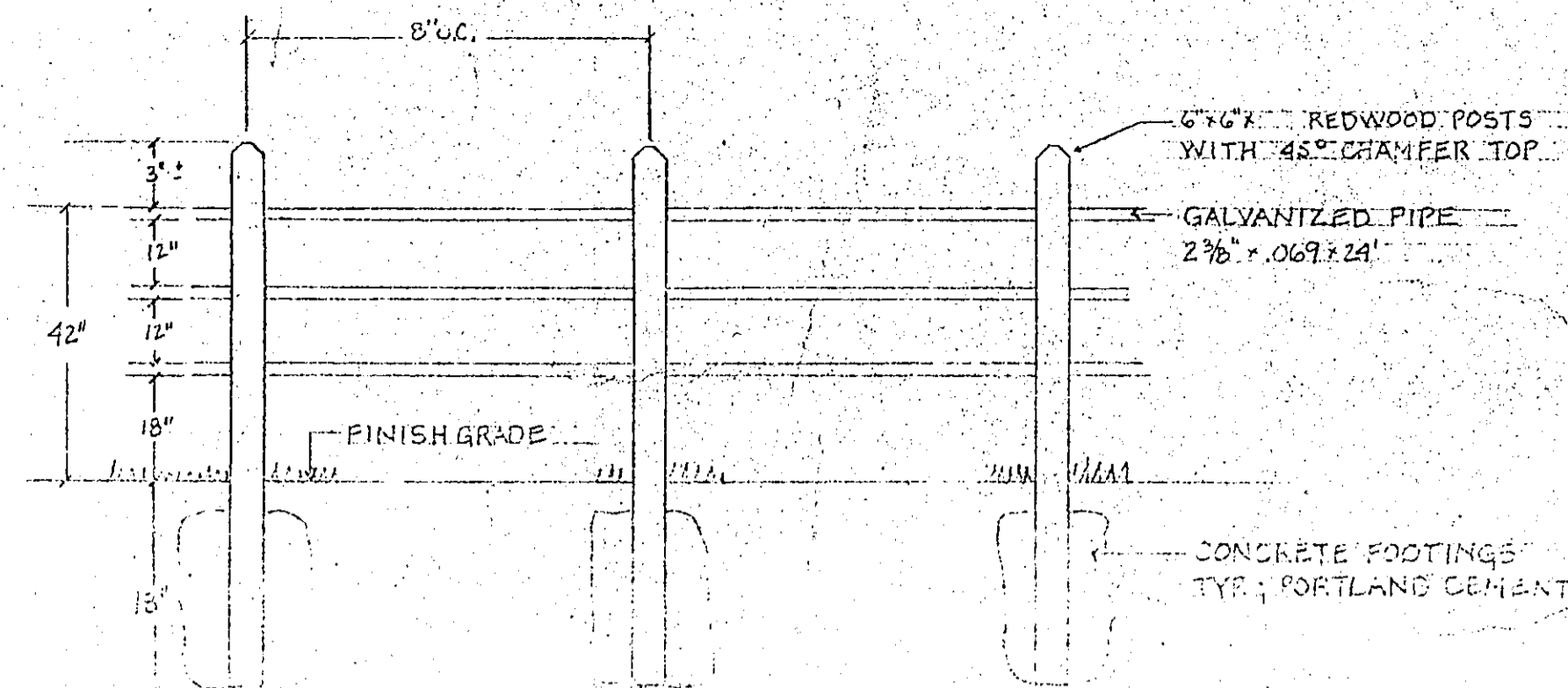


NO SCALE
DETAIL A: TREE PLANTING



DETAIL B: FENCE

PLANT LIST

ABR	BOTANICAL NAME	COMMON NAME	QTY	SPACING	SIZE
RI	RAPHIOLEPIS INDICA	RAPHIOLEPIS 'PINK CLOUD'	80	5' OC	5 GAL
PK	PYRACANTHA KOIDZUMII	PYRACANTHA	78	10' OC	15 GAL
LC	LANTANA CAMARA	LANTANA	188	10' OC	1 GAL
CL	COTONEASTER LACTEUS	COTONEASTER	56	10' OC	15 GAL
CB	COTONEASTER BUXIFOLIUS	BRIGHT BEAD COTONEASTER	49	10' OC	15 GAL
HS	HAKEA SUAVOLENS	SWEET HAKEA	191	7' OC	15 GAL
AR	ACACIA REDOLENS	NCN	140	4' OC	1 GAL
MR	MAHONIA REPENS	CREeping MAHONIA	727	12" OC	FLATS
HC	HYPERICUM CALYGINUM	AARONS BEARD	268	12" OC	FLATS
VM	VINCA MINOR	DWARF PERIWINKLE	649	8" OC	FLATS
CC	CERCIS OCCIDENTALIS	WESTERN REDBUD	5		15 GAL
FS	FEIJOA SELLOWIANA	FINEAPPLE GUAVA	16		5 GAL
LS	LIQUIDAMBAR STYRACIFLUA	LIQUIDAMBAR 'PALO ALTO'	15		24" BOX
HA	HETEPOMOLES ARBUTIFOLIA	TOYON	7		5 GAL
QA	QUERCUS AGRIFOLIA	COAST LIVE OAK	4		24" BOX
QA	QUERCUS AGRIFOLIA	COAST LIVE OAK	1		36" BOX

HYDROSEED MIX

GENUS / SPECIES	COMMON NAME	SEED RATE
ATRIplex SEMIBACCATA	AUSTRALIAN SALTBUSH	7 LBS/ACRE
GAZANIA SPLENDENS	GAZANIA MIXED COLORS	5 LBS/ACRE
ALYSSUM MARTIMUM	SWEET ALYSSUM	2 LBS/ACRE
LINUM GRANDIFLORUM VAR. RUBRUM	SCARLET FLAX	8 LBS/ACRE
ESCHSCHOLZIA CALIFORNICA	CALIFORNIA POPPY	4 LBS/ACRE
TRIFOLIUM HIRTUM	ROSE CLOVER	3 LBS/ACRE
HETEROMELES ARBUTIFOLIA	TOYON	1 LB/ACRE
ADDITIVES		
SPRA-MULCH WOOD FIBER		2,000 LBS/ACRE
20-10-5 + 5% IRON FERTILIZER		160 LBS/ACRE
ECOLOGY CONTROLS MULCH BINDER		150 LBS/ACRE
TURF MIX		
TRIPLE CROWN		400 LBS/ACRE
ADDITIVES		
SPRA-MULCH WOOD FIBER		2,000 LBS/ACRE
6-20-20 FERTILIZER		700 LBS/ACRES
ECOLOGY CONTROLS MULCH BINDER		100 LBS/ACRE

IRRIGATION LEGEND

SYMBOL	MANUFACTURER	MODEL #	DESCRIPTION	PSI	RAD	GPM	DETAIL/COMENTS
▲	TORO	316-12-93	HI-POP SHRUB HEAD	50	30'	4.84	
▲	TORO	308-12-93	HI-POP SHRUB HEAD	50	30'	2.42	
▲	TORO	304-12-93	HI-POP SHRUB HEAD	50	30'	1.21	
▲	TORO	316-12-02	HI-POP SHRUB HEAD	50	24'	3.41	
•	TORO	SB-4-180-PC	BUBBLER HEAD	50	4'	0.90	
⊗	TORO	S700L-PC-3.0	TURF HEAD	50	37'	1.16	
□	THOMPSON	186/S RCFC	TURF HEAD	50	60'	16.00	
⊕	THOMPSON	187/S - 180 RCFC	TURF HEAD	50	60'	16.00	
●	RAINBIRD	200 - G	REMOTE CONTROL VALVE				
⊙	RAINBIRD	35DLRC	QUICK COUPLER VALVE				CONTRACTOR TO PROVIDE KEY
⊖	FEBCO	R25Y	REDUCED PRESSURE BACKFLOW ASSEMBLY				INSTALLED PER UBC
⊗	IRRITROL		MC30-PLUS CONTROLLER				INSTALL INSIDE UTILITY ROOM PER ENGINEER
---	APPROVED		PVC CLASS 315 PRESSURE MAIN LINE				MINIMUM OF 18" COVER
---	APPROVED		PVC SCHEDULE 40 NON-PRESSURE LATERAL				MINIMUM OF 12" COVER
---	APPROVED		4" PVC CONDUITS				INSTALLED PRIOR TO DRIVEWAY CONSTRUCTION. SET AT 18" BELOW GRADE. ENGINEER TO PROVIDE EXACT LOCATIONS
⊕			VALVE SEQUENCE				
⊕			VALVE SIZE				
⊕			FLOW RATE				

DETAILS & LEGENDS