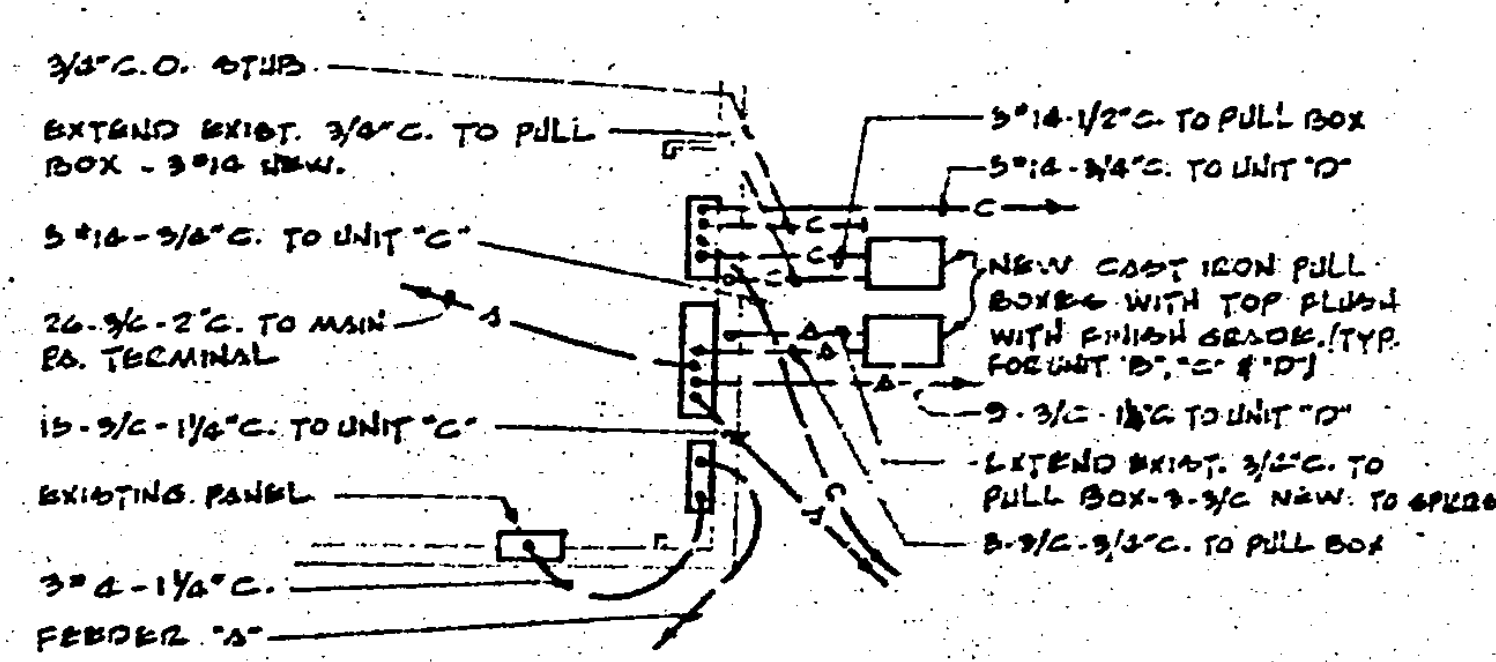
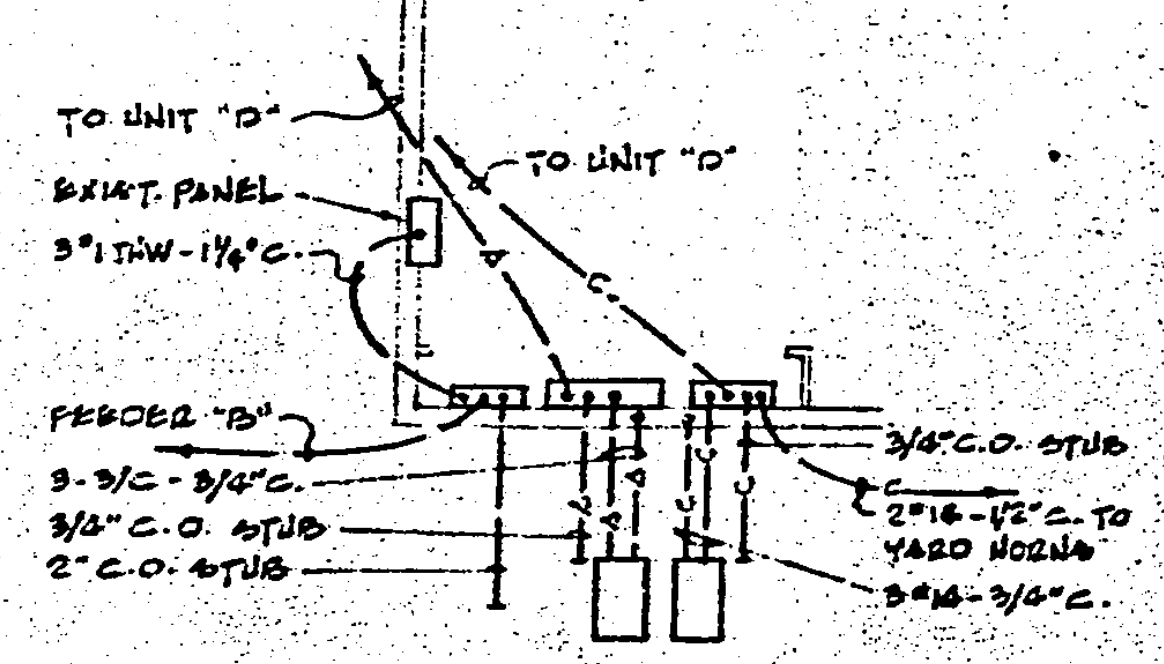


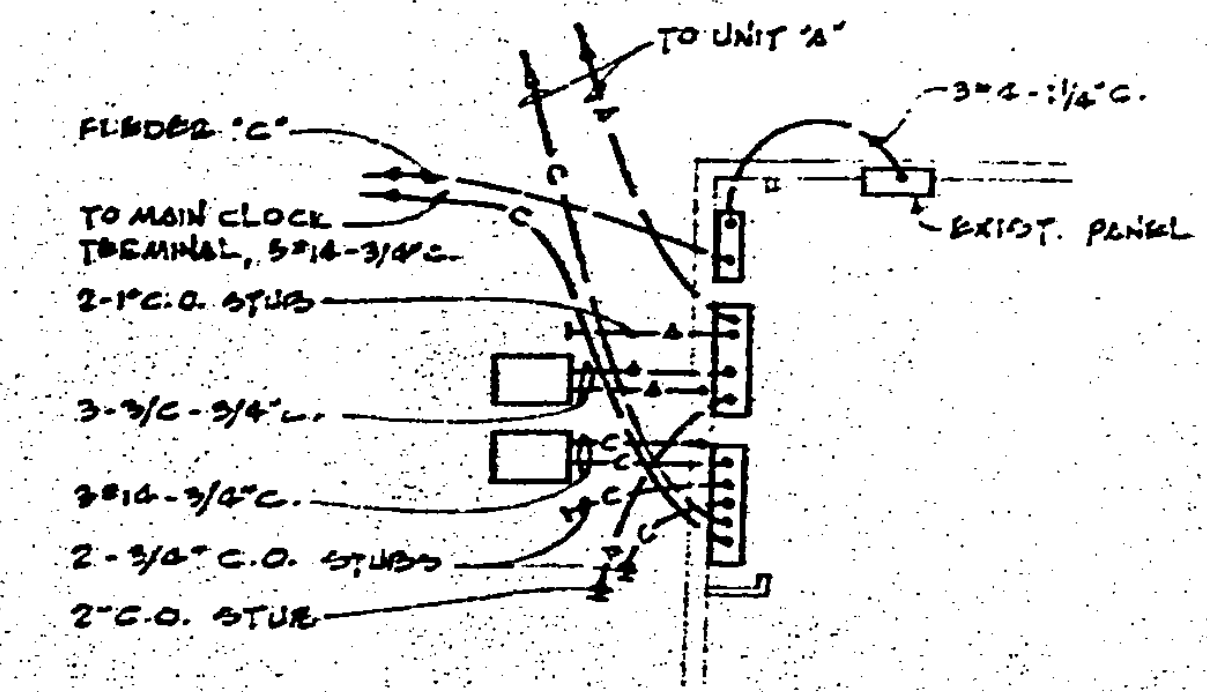
TYPICAL ELEVATION



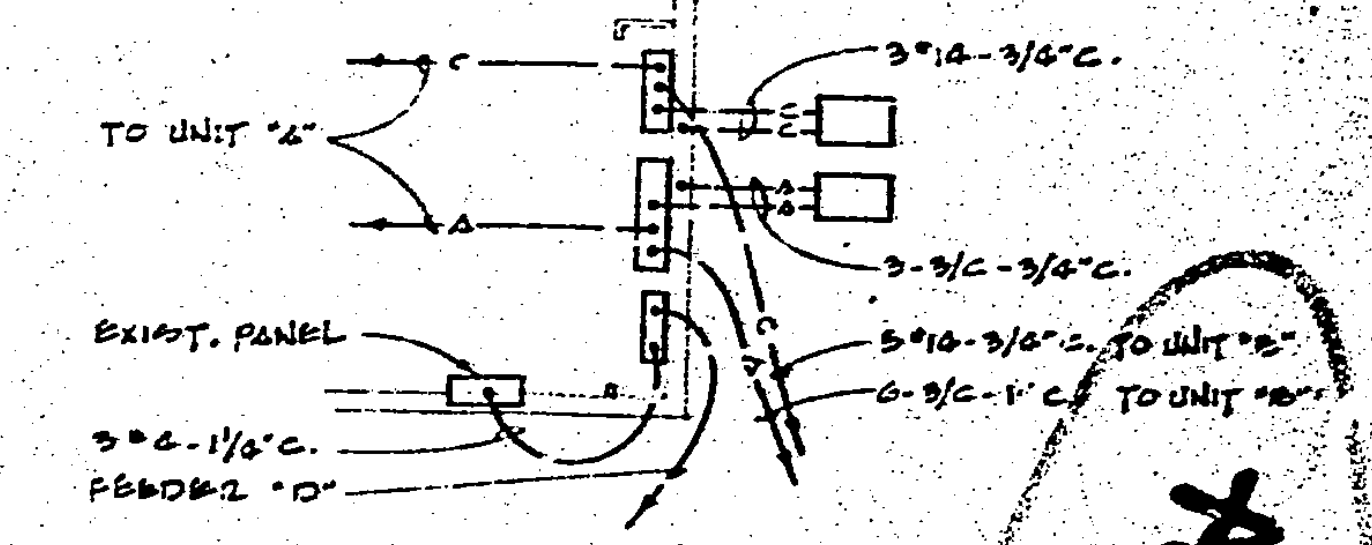
UNIT "A"



UNIT "B"



UNIT "C"

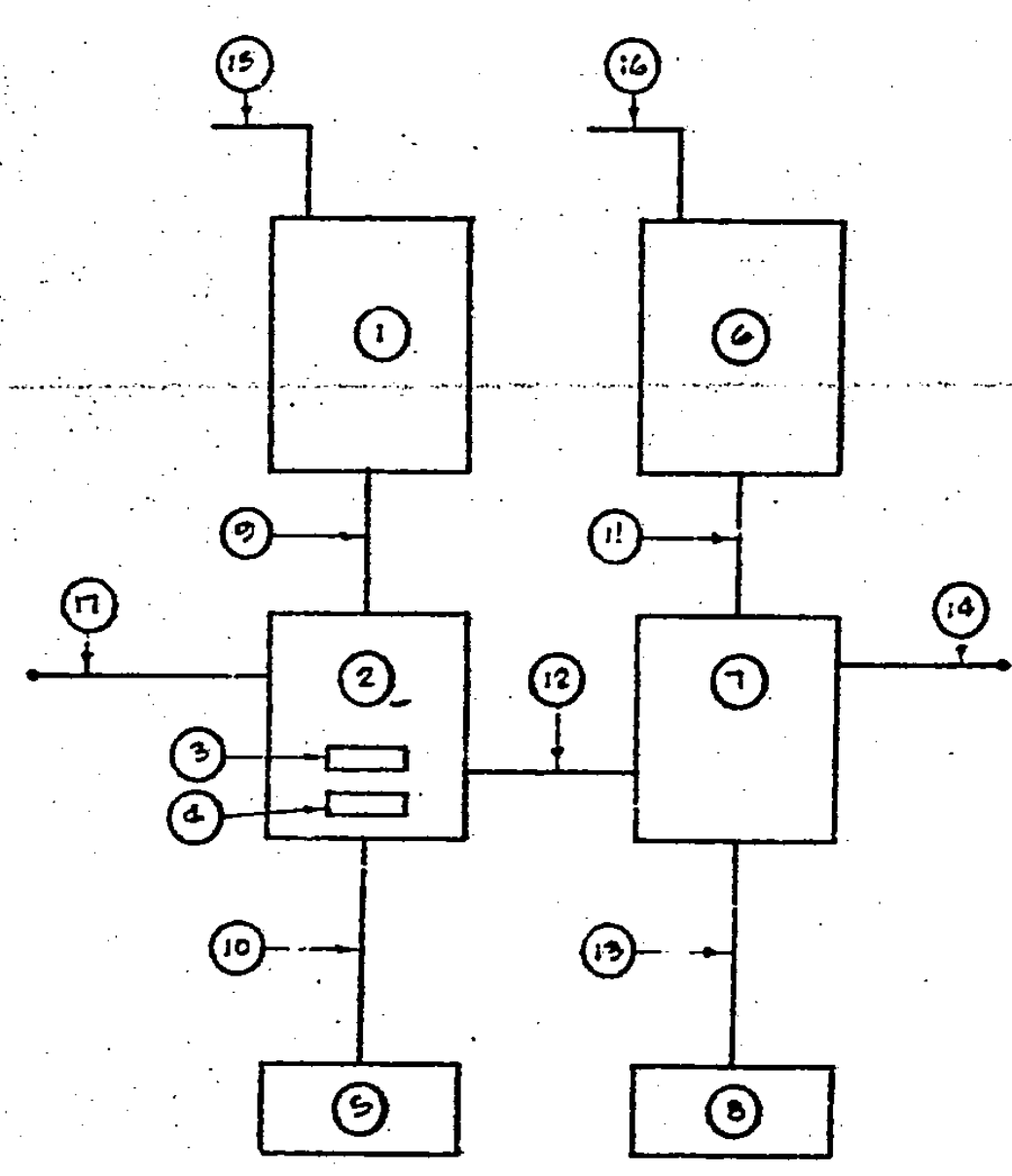


UNIT "D"

DETAILS OF TERMINALS AND PULL BOXES
SCALE: NONE



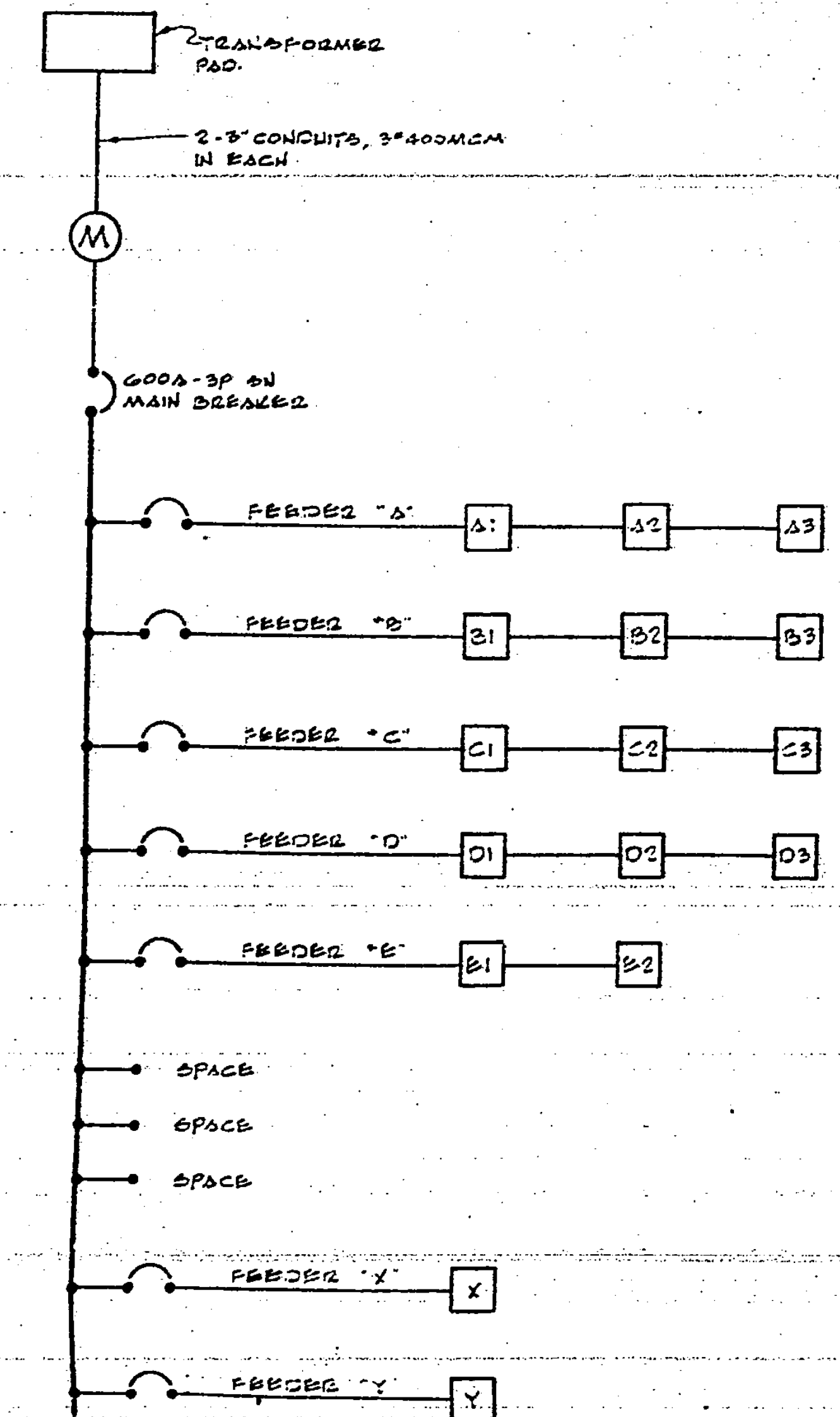
10011 A9308
 100112



NOTES:

- 1 MASTER CLOCK
- 2 MASTER CLOCK TERMINAL
- 3 CUTOUT RELAY
- 4 FIRE ALARM PRIORITY RELAY
- 5 REMOTE CONTROL PANEL (IN P.A. CONSOLE)
- 6 FIRE ALARM CONTROL PANEL
- 7 FIRE ALARM TERMINAL
- 8 FIRE ALARM REMOTE SUPERVISORY PANEL
- 9 16" x 16" x 1/2" C.
- 10 16" x 16" x 1/2" C.
- 11 16" x 16" x 1/2" C.
- 12 5" x 16" x 3/8" C.
- 13 3" x 16" x 1/2" C.
- 14 2" x 16" x 3/8" C.
- 15 2" x 12" x 1/2" C. - Y2
- 16 3" x 12" x 1/2" C. - Y1-Y2
- 17 3" x 16" x 1/2" C. - TO ALL SECONDARY CLOCKS.

CLOCK - FIRE ALARM BLOCK DIAGRAM
SCALE: NONE



SINGLE LINE DIAGRAM
SCALE: NONE

FEEDER	KW	AMPS	MAIN BREAKER	FEEDER LENGTH #	C O P P E R		
					WIRE SIZE	CONDUIT SIZE	WIRE SIZE
"A"	15.2	69	70-2	±170'	3#2	1 1/2"	3" x 1/0"
"B"	20.0	89	100-2	±270'	3#3/0	2"	3" x 250MCM
"C"	15.2	69	70-2	±160'	3#2	1 1/2"	3" x 1/0"
"D"	15.2	69	70-2	±270'	3#2/0	2"	3" x 4/0"
"E"	10.0	42	70	±70'	3#4	1 1/2"	3" x 2"
"X"	22.1	92	100	120'	3#1	1 1/2"	3" x 1/0"
"Y"	3.4	14	30	±20'	3#6	1"	3" x 4"

101.1 KW = 420 AMP @ 240V-1Ø
* FEEDER LENGTH IS APPROXIMATE, FOR VOLTAGE DROP CALCULATION ONLY.

PANEL 'X'														
LOCATION: MULTI-PURPOSE RM. 100														
FEEDER "X"														
LOCATION	WATTAGE	LTG	REC	INS	CH	BER	BER	BER	CH	INS	REC	LTG	WATTAGE	LOCATION
2. ALM. Δ3	4.5	6			1	1	20-1						1720	CL. Δ3, Δ5, 7
Δ2, 3	800				4								1800	CL. Δ2
Δ4	1500				1								270	CL. Δ4
Δ5	1500				1								3000	CL. Δ5
Δ7	900				1								3000	CL. Δ7
CL. Δ8	1500				1	20A							1500	CL. Δ8
SPACE	500												500	SPACE
SPACE	500												500	SPACE

ΔA = 11,720W
ΔB = 10,000W
TOTAL = 22,720W @ 22 AMP @ 240V-1Ø

PANEL 'Y'														
LOCATION: MAIN PANEL														
FEEDER "Y"														
LOCATION	WATTAGE	LTG	REC	INS	CH	BER	BER	BER	CH	INS	REC	LTG	WATTAGE	LOCATION
PIPE ALARM	200				1	20-1							500	CL. Δ1
PIPE ALARM	200				1								500	CL. Δ2
SPACE	500												500	SPACE
SPACE	500												500	SPACE

ΔA = 1,700W
ΔB = 1,700W
TOTAL = 3,400W @ 13 AMP @ 240V-1Ø

MECHANICAL ENGINEER
ELECTRICAL ENGINEER
CIVIL ENGINEER

KISTNER, WRIGHT & WRIGHT
ARCHITECTS AND ENGINEERS
LOS ANGELES, CALIFORNIA

STATE FIRE MARSHAL
STATE OF CALIFORNIA
APPROVED: [Signature]

CONTRACTOR TO VERIFY ALL DIMENSIONS AT THE JOB
DETAILS, SINGLE LINE DIAGRAM & SCHEDULES
LADERA LINDA SCHOOL
PALOS VERDES PENINSULA UNIFIED SCHOOL DISTRICT
ROLLING HILLS, CALIFORNIA
DATE: []
SHEET NO. 3 OF 3 SHEETS