

1. test dimension
2. wall
3. doors/windows
4. millwork
5. hardware
6. notes
7. detail
8. detail
9. detail
10. scratch

RON YEO, FAIA ARCHITECT, INC.
 500 JASMINE AVENUE, CORONA DEL MAR
 CALIFORNIA 92625 P: 949-644-8111 F: 949-644-0449
 PATRICK MARR, AIA, PE, ASSOCIATE ARCHITECT



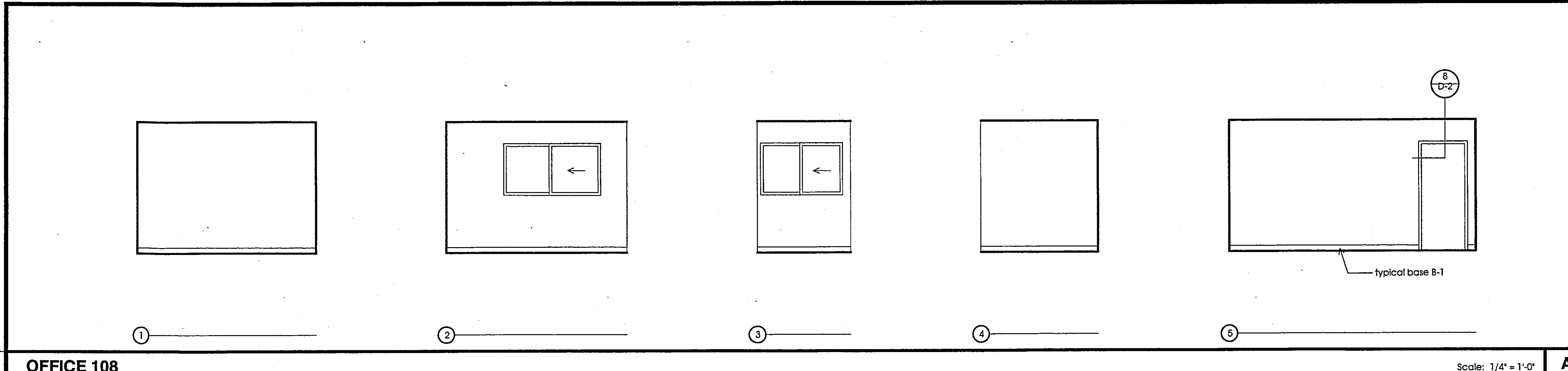
12/23/03 update revisions

POINT VICENTE INTERPRETIVE CENTER EXPANSION
 31150 La Jolla Village Drive, West
 Rancho Palos Verdes, CA

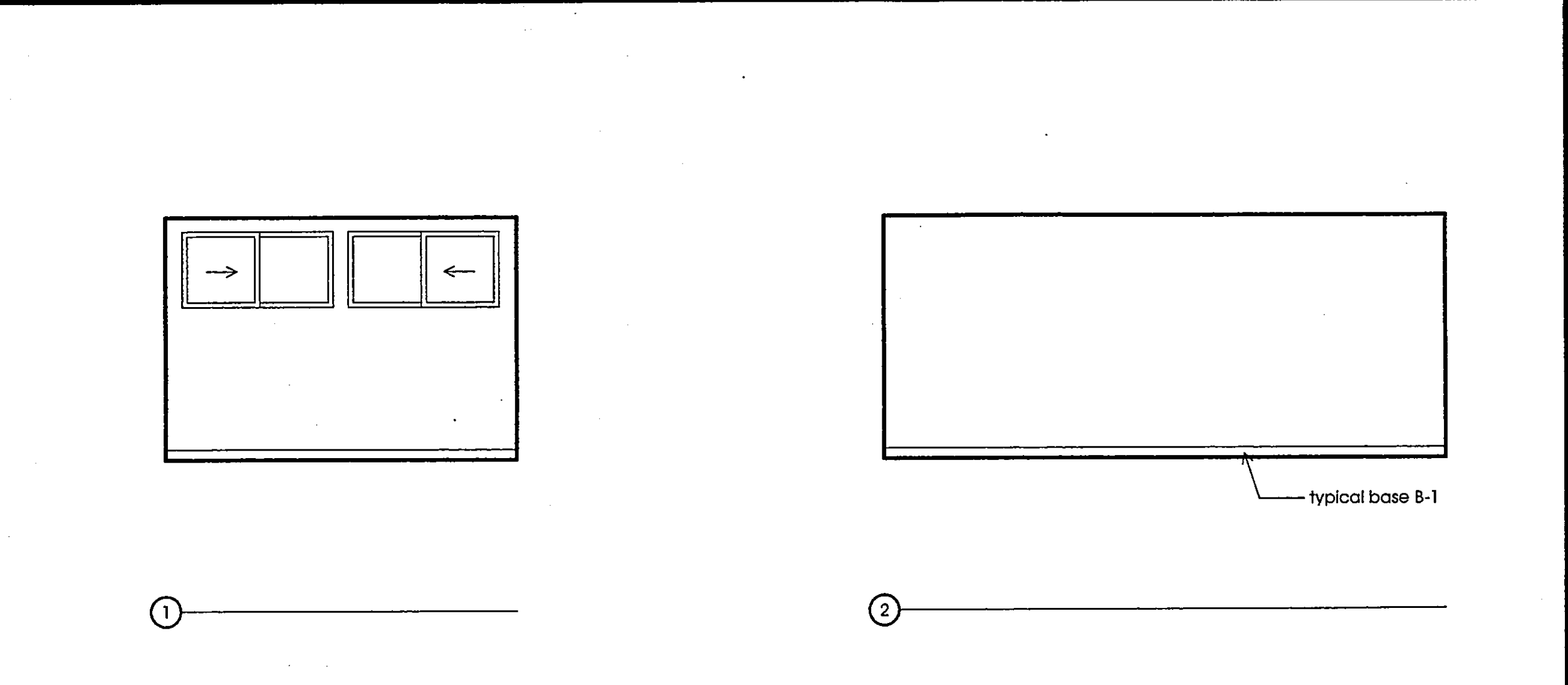
Interior Elevations

DRAWN
 PM/MG
 CHECKED
 BY
 DATE
 2/1/99
 SCALE
 (as noted)
 JOB NO.
 98-100
 SHEET
A-9
 22 OF 61 SHEETS

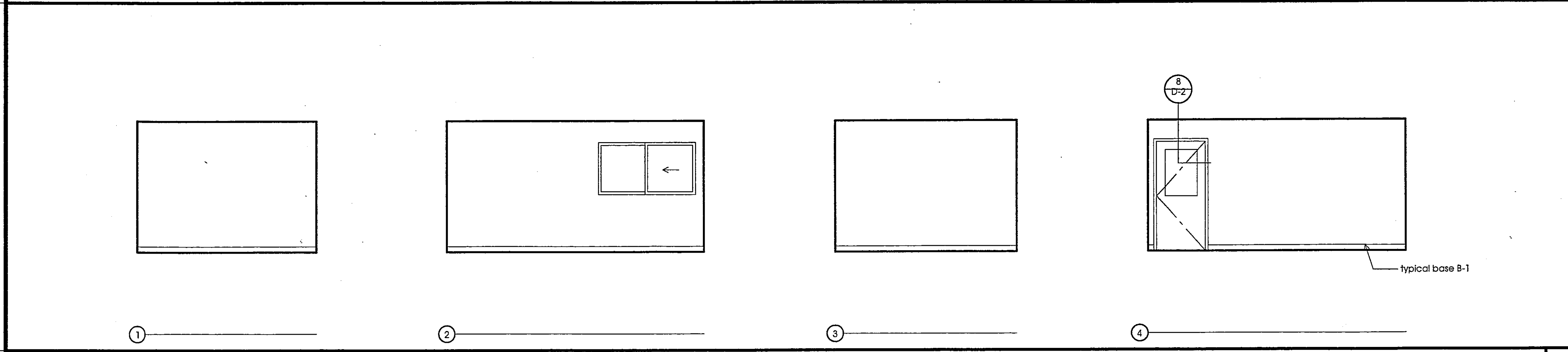
P.V.C. EXPANSION
 Construction Set
 12/23/03
 22 OF 61 SHEETS



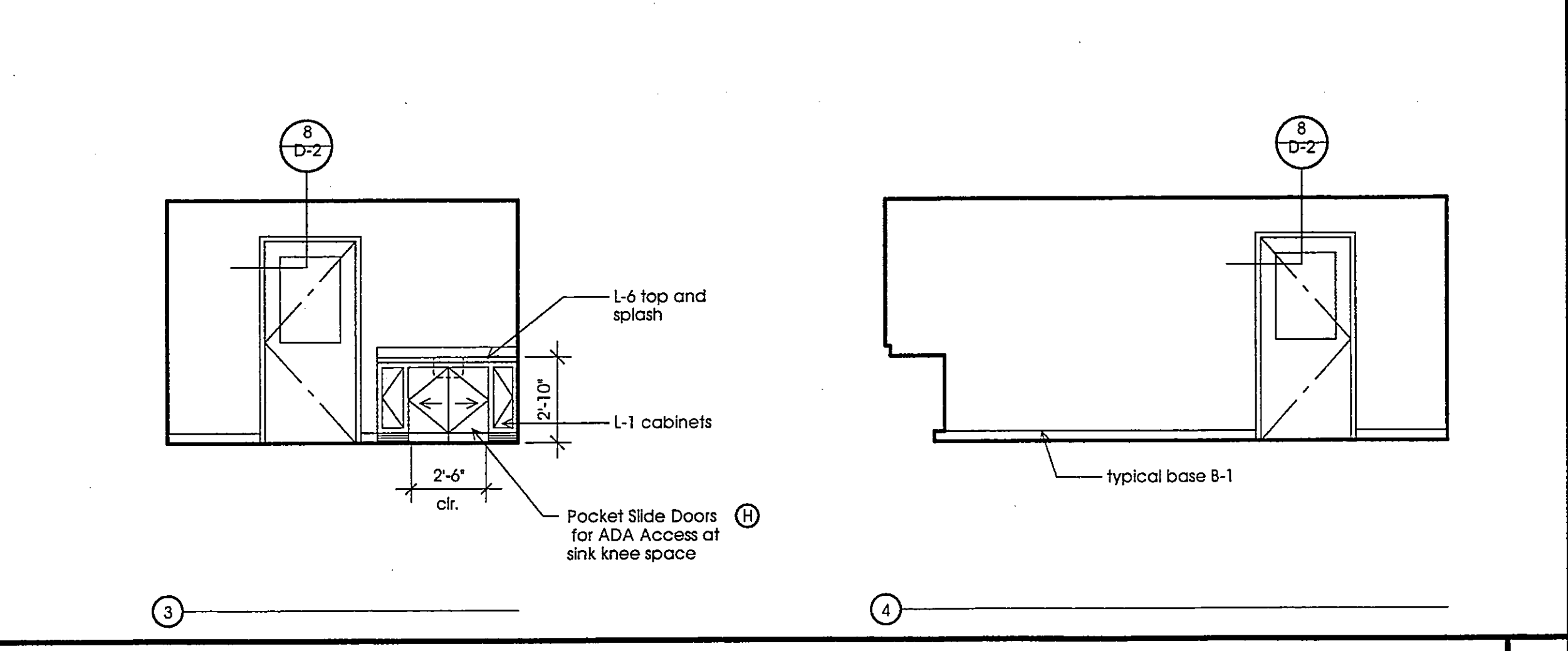
OFFICE 108 Scale: 1/4" = 1'-0" **A**



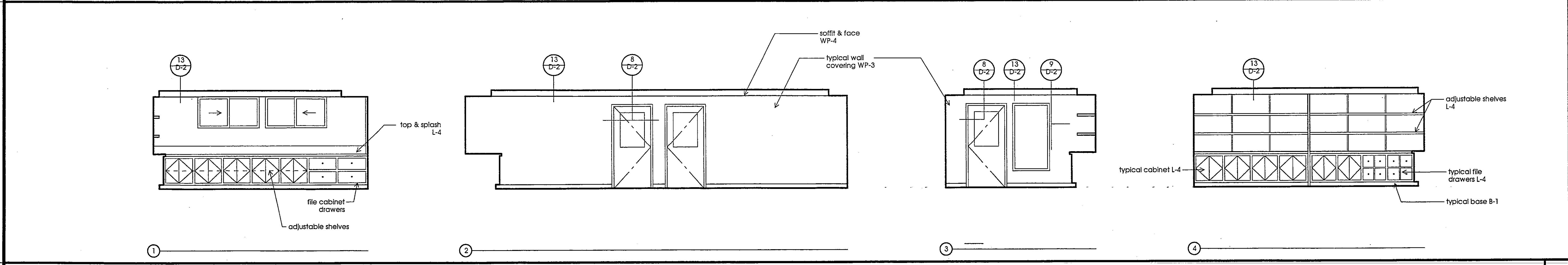
Scale: 1/4" = 1'-0" **A**



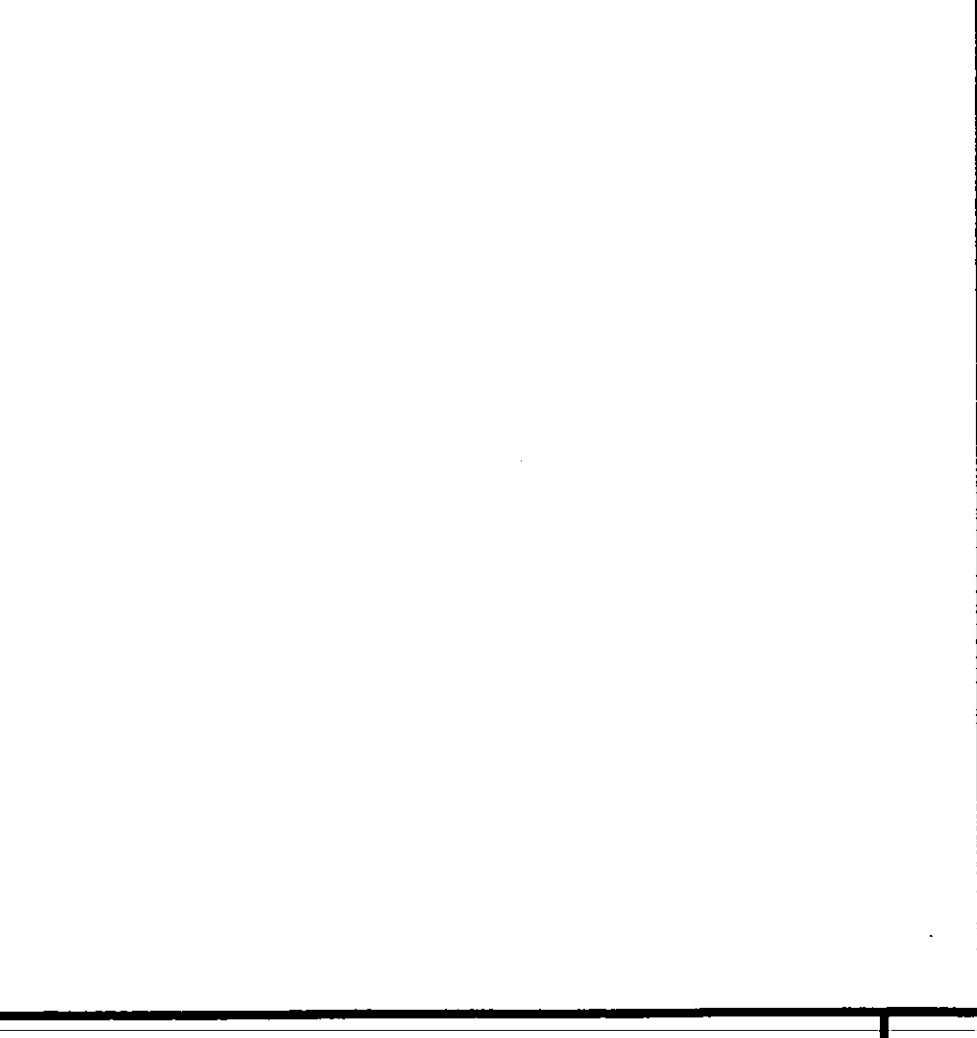
OFFICE 109 Scale: 1/4" = 1'-0" **B**



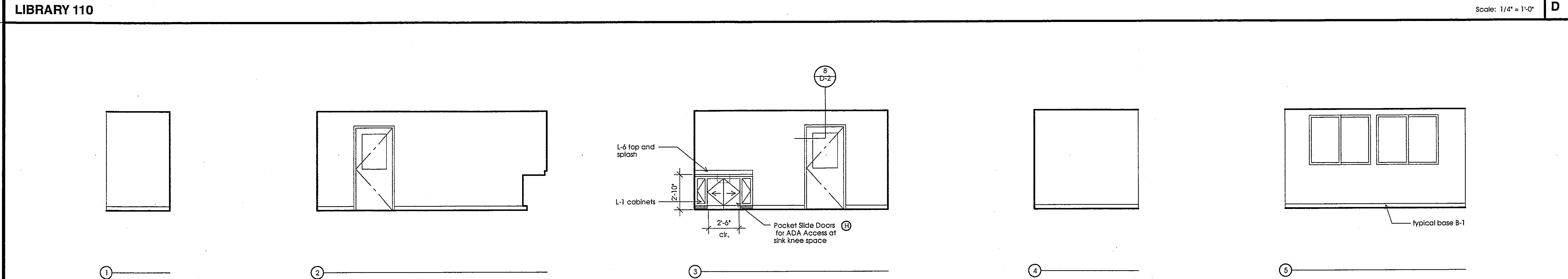
WORKROOM 111 Scale: 1/4" = 1'-0" **C**



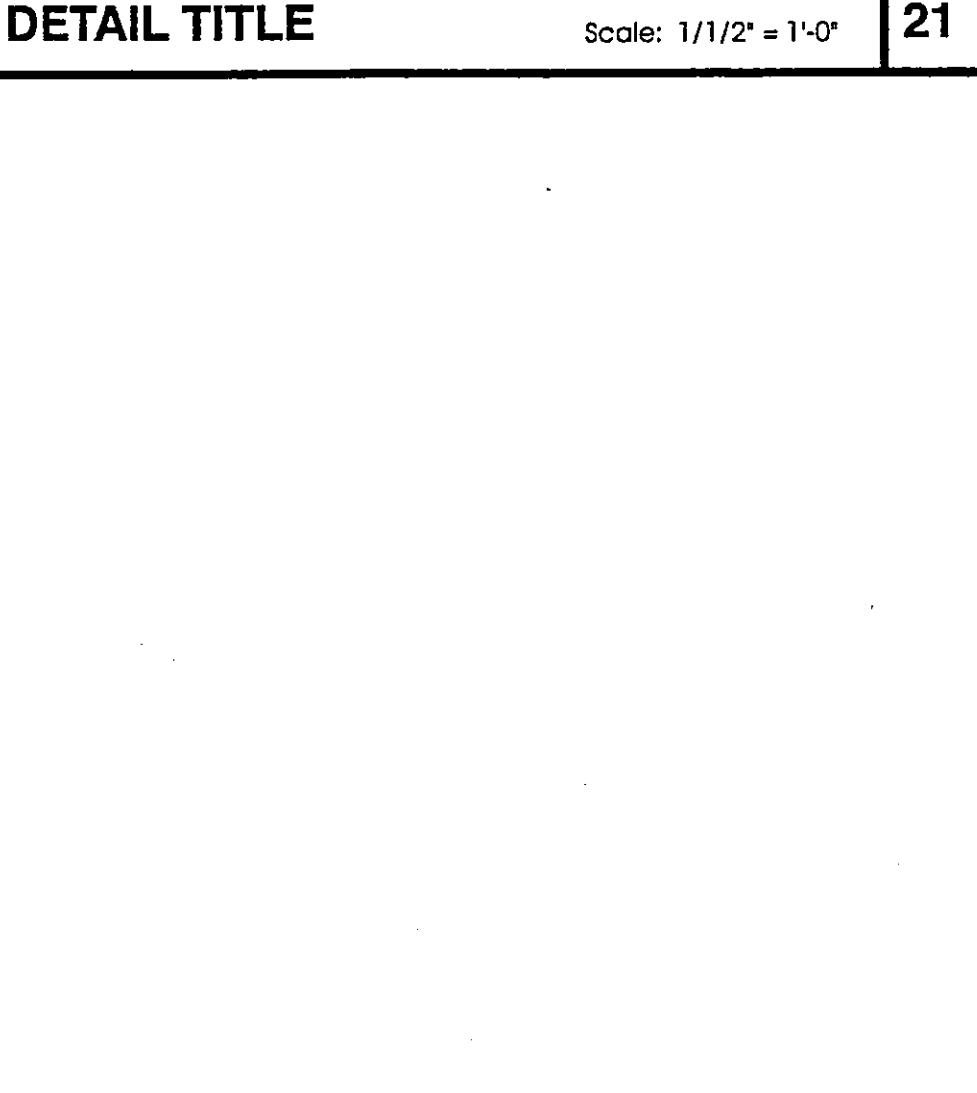
LIBRARY 110 Scale: 1/4" = 1'-0" **D**



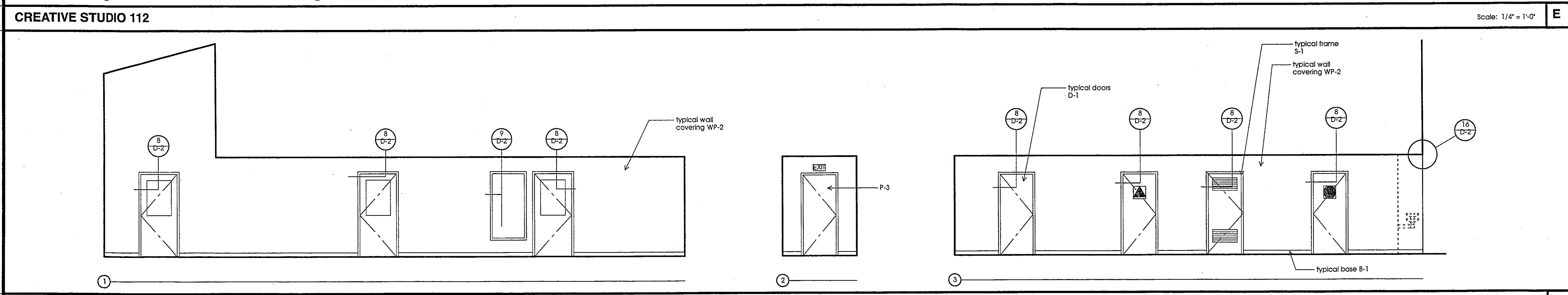
DETAIL TITLE Scale: 1/1/2" = 1'-0" **21**



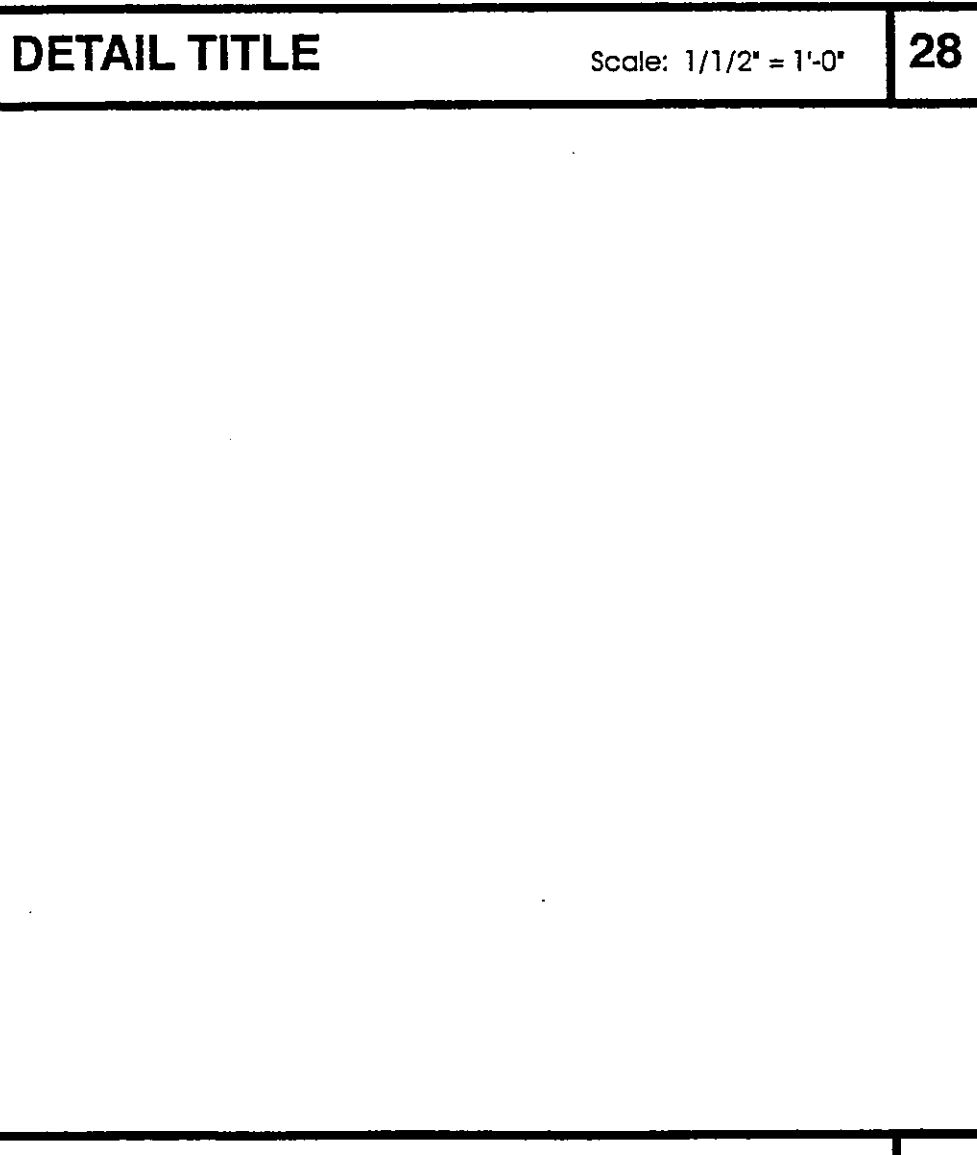
CREATIVE STUDIO 112 Scale: 1/4" = 1'-0" **E**



DETAIL TITLE Scale: 1/1/2" = 1'-0" **28**



CORRIDOR 113 Scale: 1/4" = 1'-0" **F**



DETAIL TITLE Scale: 1/1/2" = 1'-0" **35**

Ron Yeo, Architect Inc. expressly reserves its
 common law copyright for these plans. These
 plans are to be used only for the project
 named herein. No part of these plans may be
 copied, reproduced, or otherwise used in
 any manner without the written consent of
 Ron Yeo, Architect Inc.

1/2"
 12/23/03