

Fig. 99
CONTROLS AND OPERATING MECHANISMS,
VENDING MACHINES

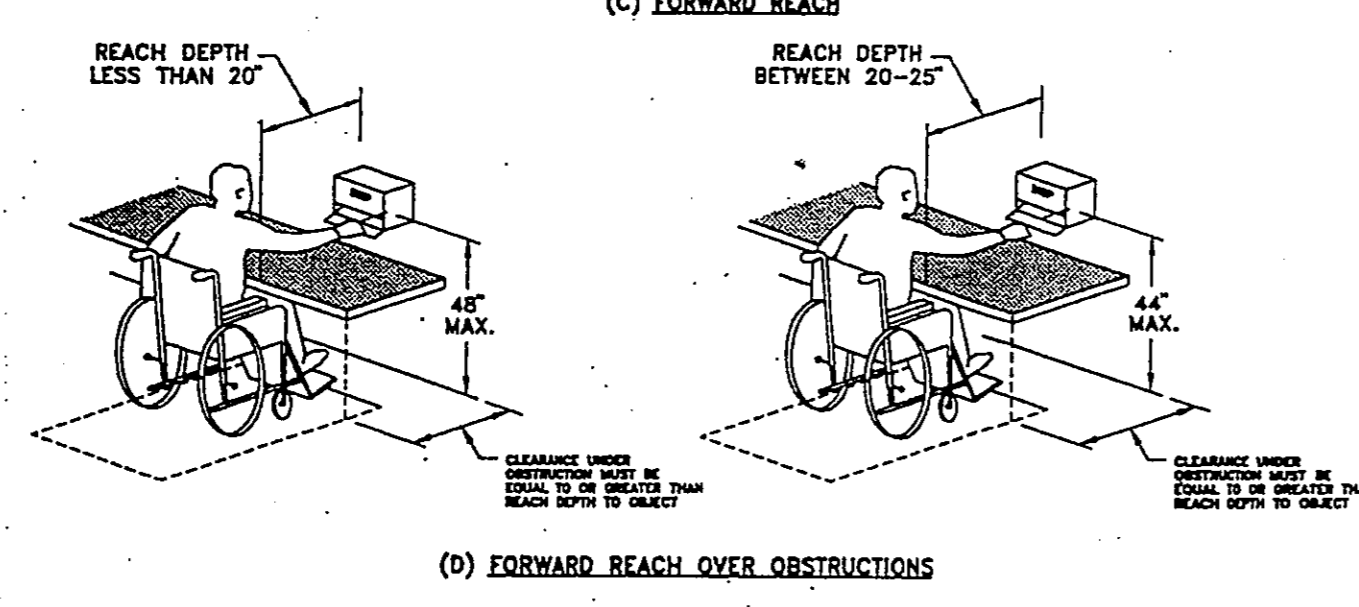


Fig. 99
CONTROLS AND OPERATING MECHANISMS,
VENDING MACHINES

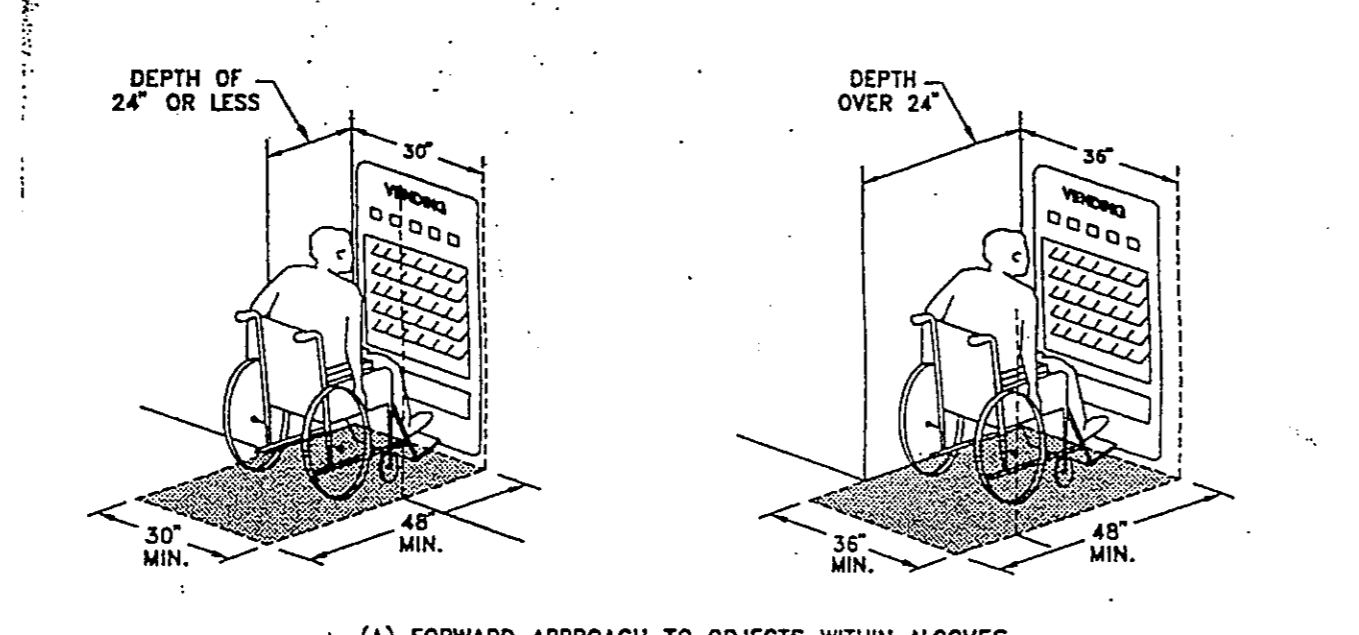


Fig. 100
CONTROLS AND OPERATING MECHANISMS,
VENDING MACHINES

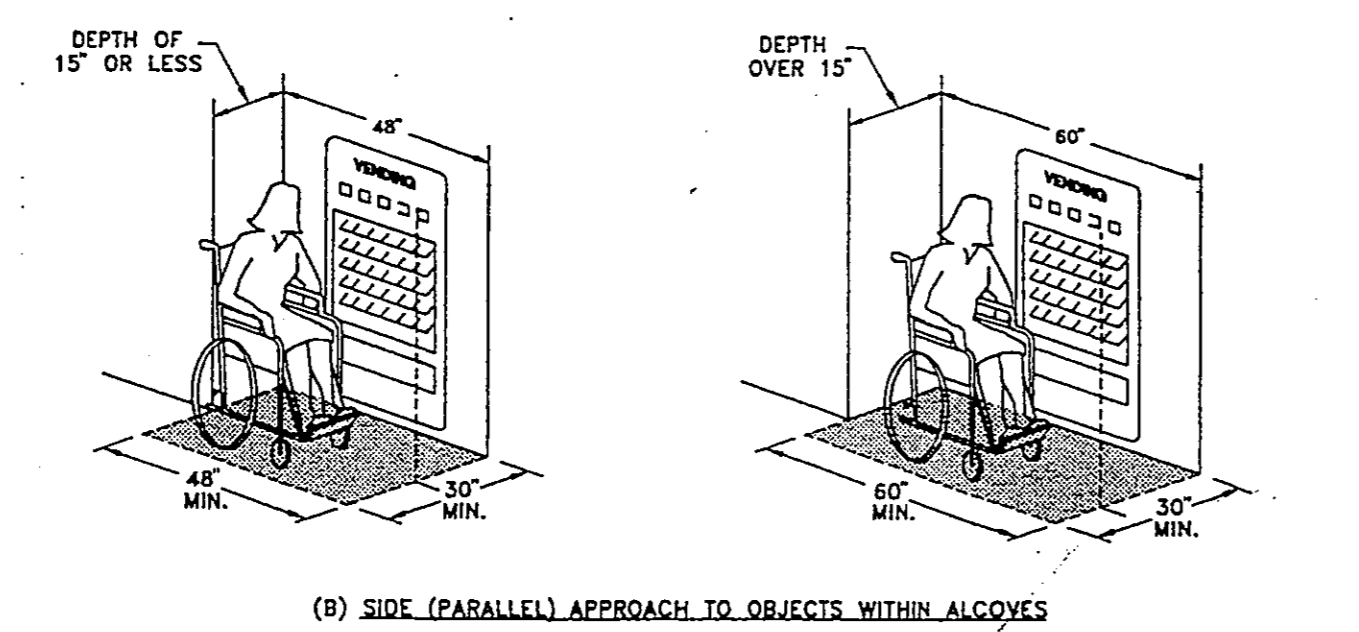


Fig. 100
CONTROLS AND OPERATING MECHANISMS,
VENDING MACHINES

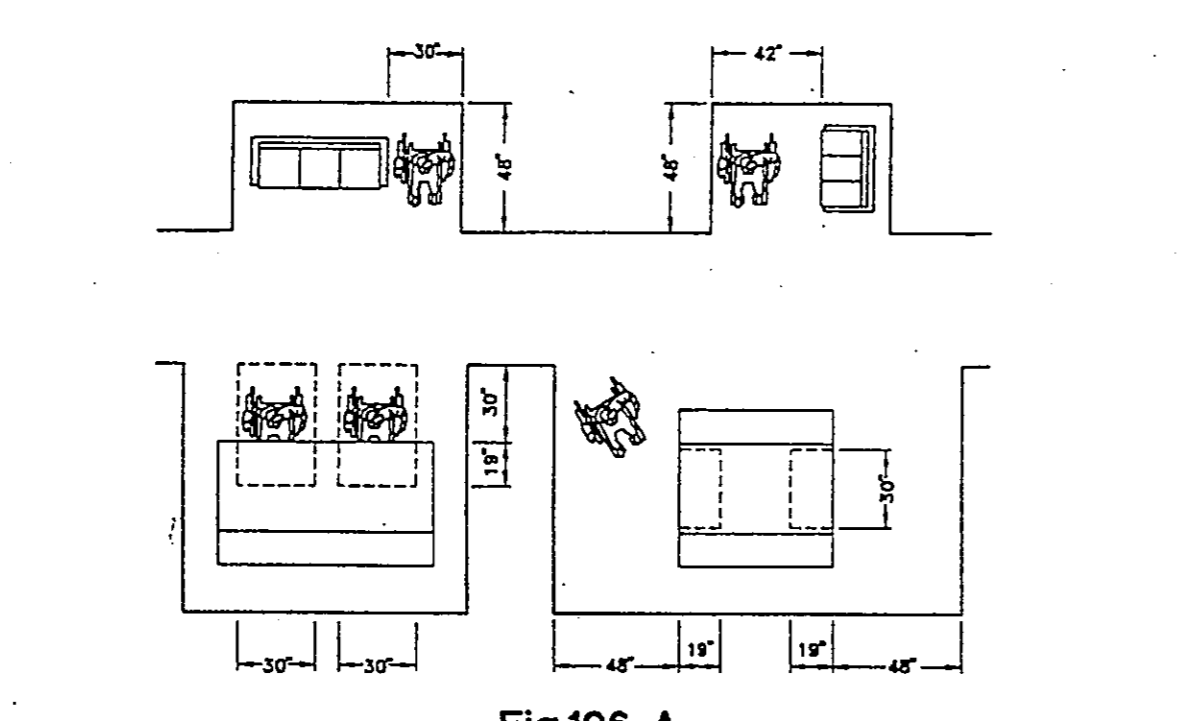


Fig. 106-A
MINIMUM CLEARANCES FOR SEATING AND TABLES

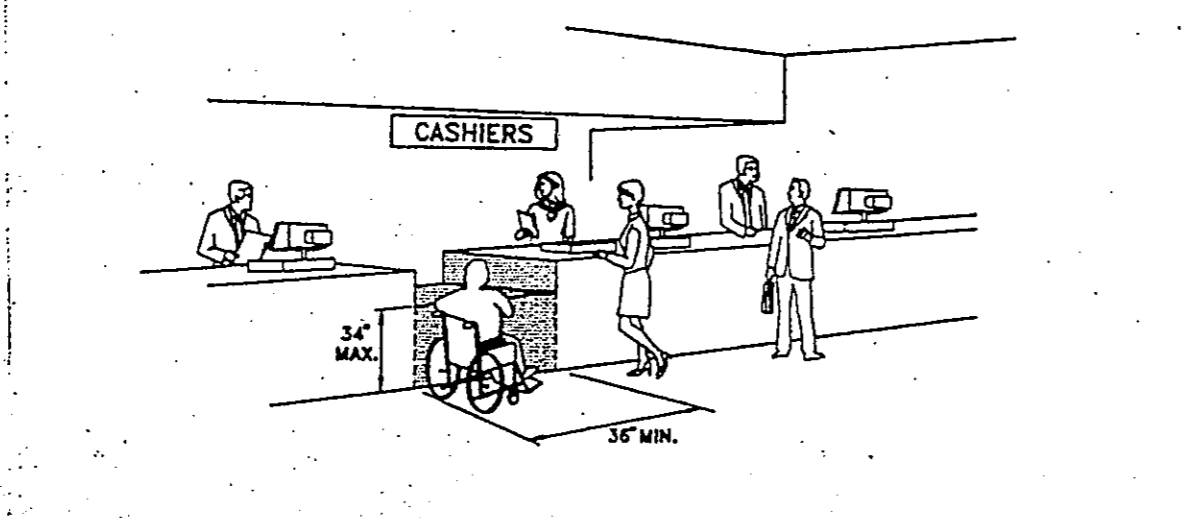


Fig. 106-B
MULTIPLE TRANSACTION STATIONS

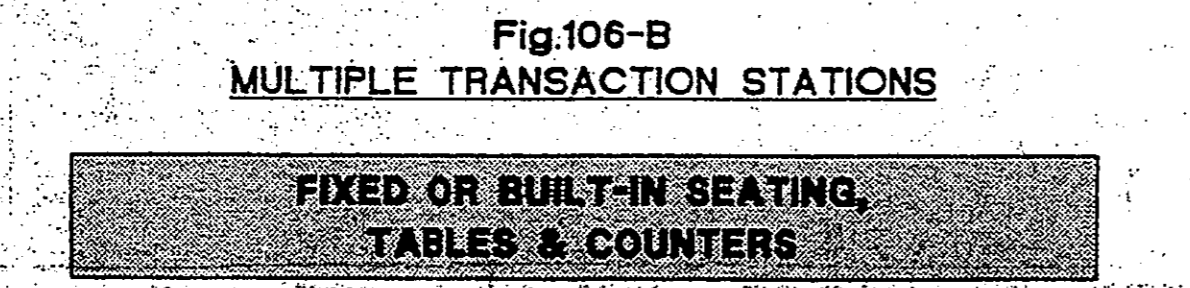


Fig. 106-B
FIXED OR BUILT-IN SEATING,
TABLES & COUNTERS

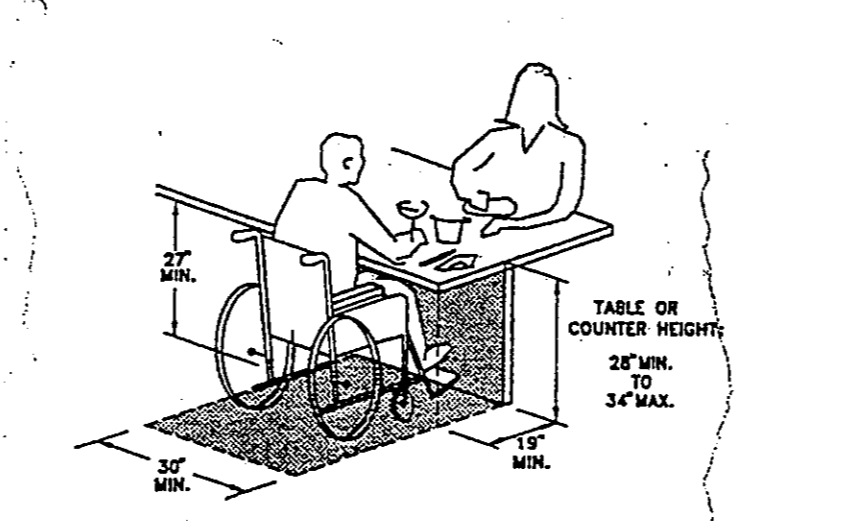


Fig. 105
REQUIRED KNEE CLEARANCES

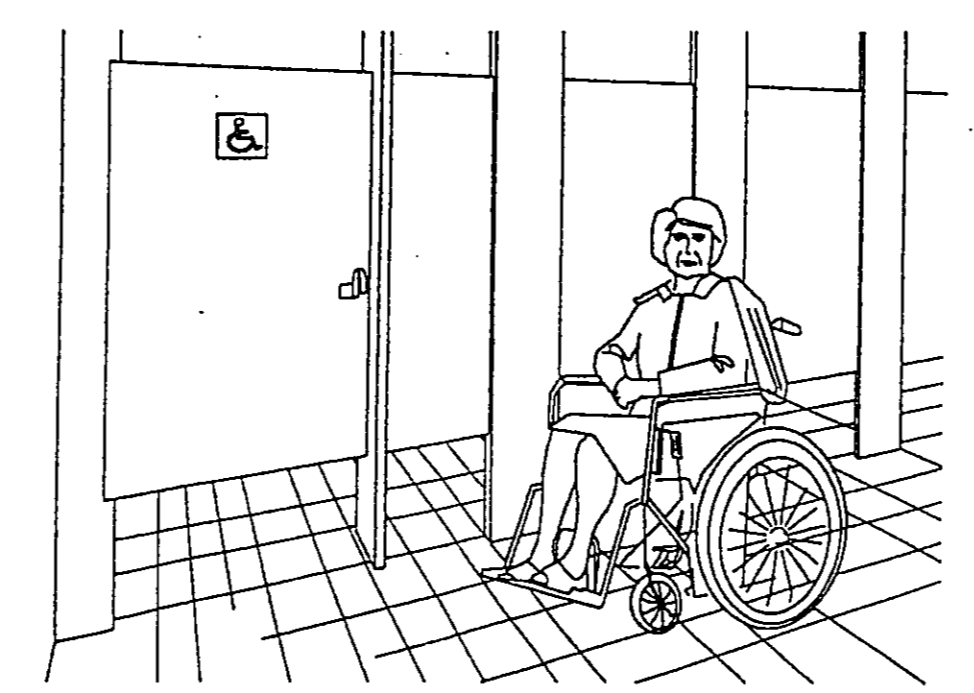


Fig. 81
STANDARD ACCESSIBLE TOILET STALL
(DOOR OPENING AT SIDE OF STALL)

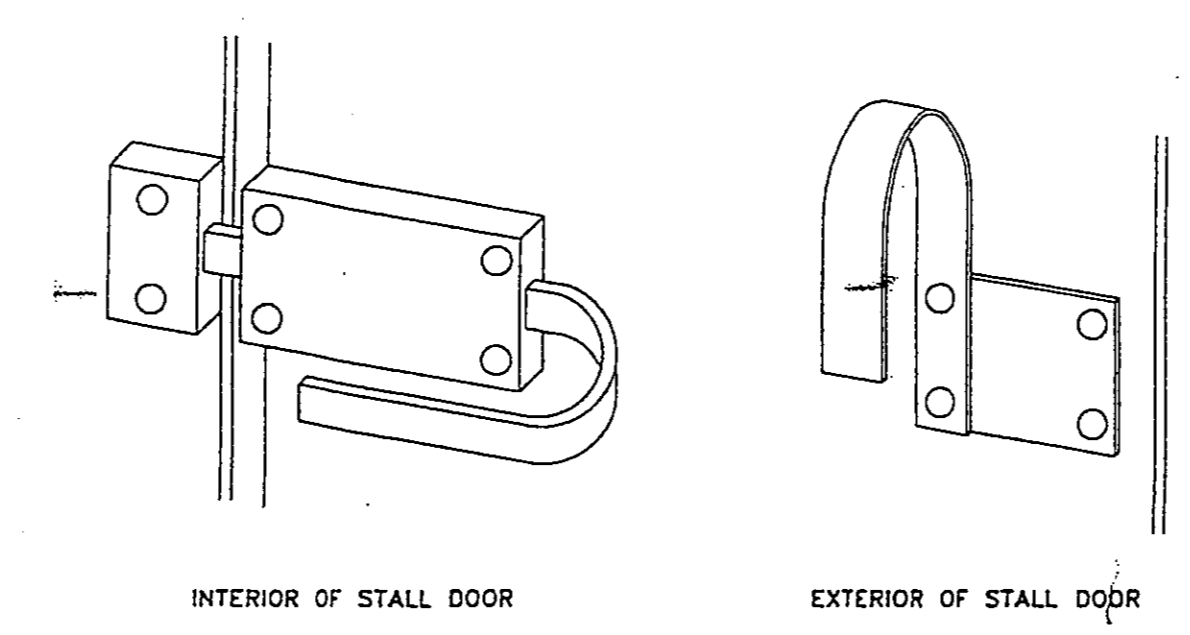


Fig. 84-B

ACCESSIBLE STALL DOOR HARDWARE

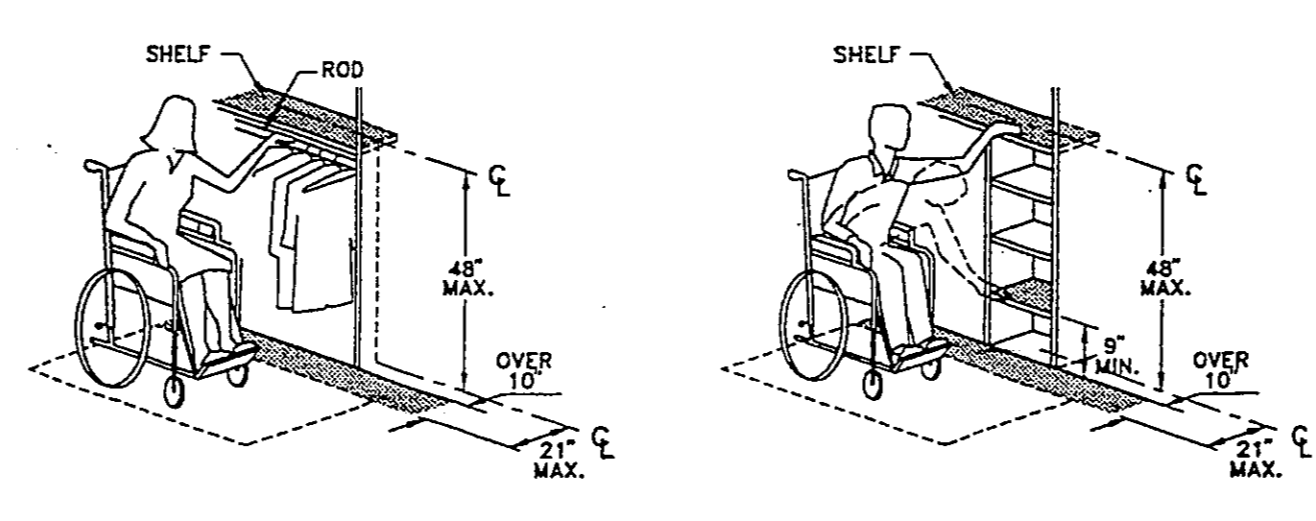


Fig. 97
SIDE REACH (DEPTH OVER 15')

STORAGE

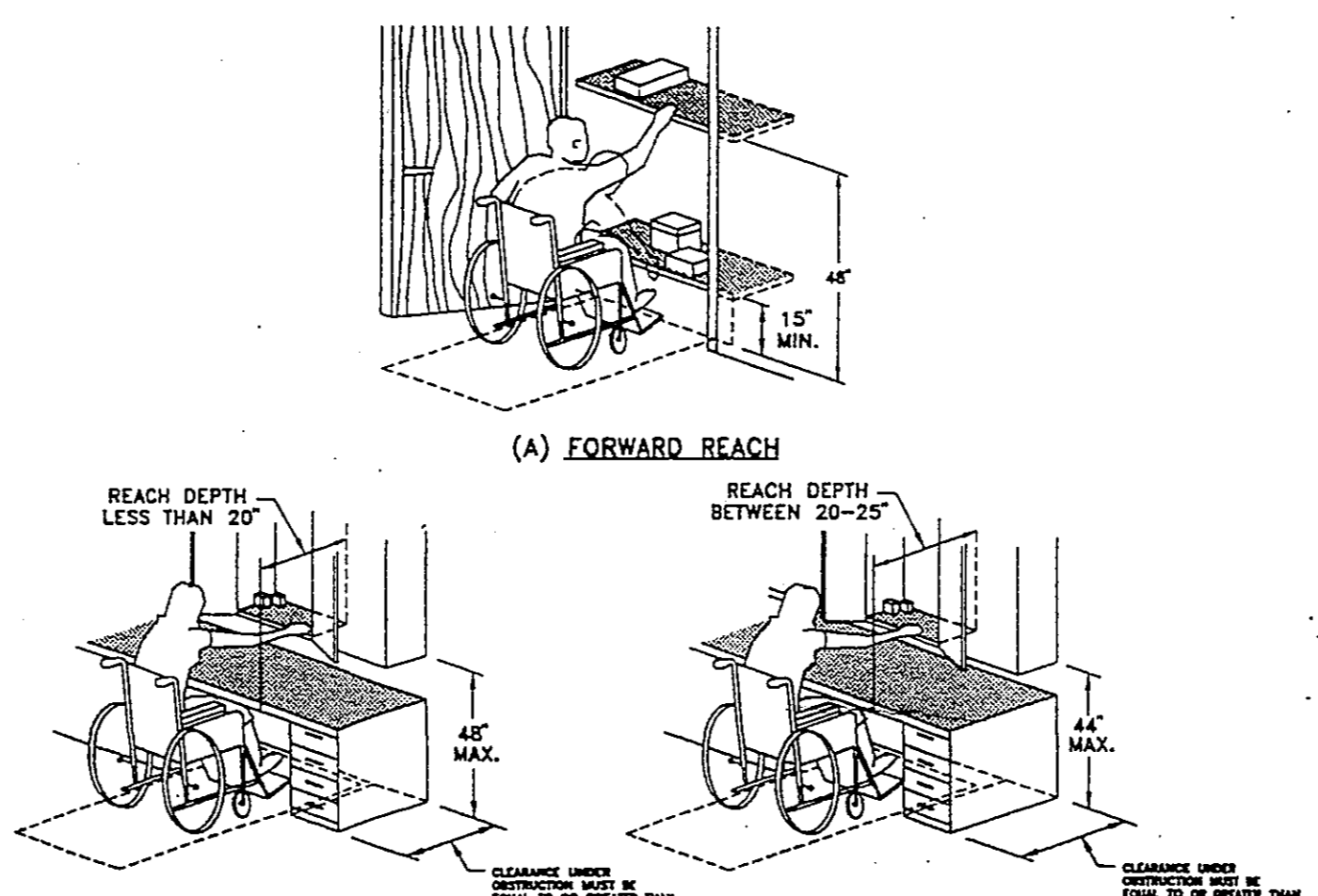


Fig. 98

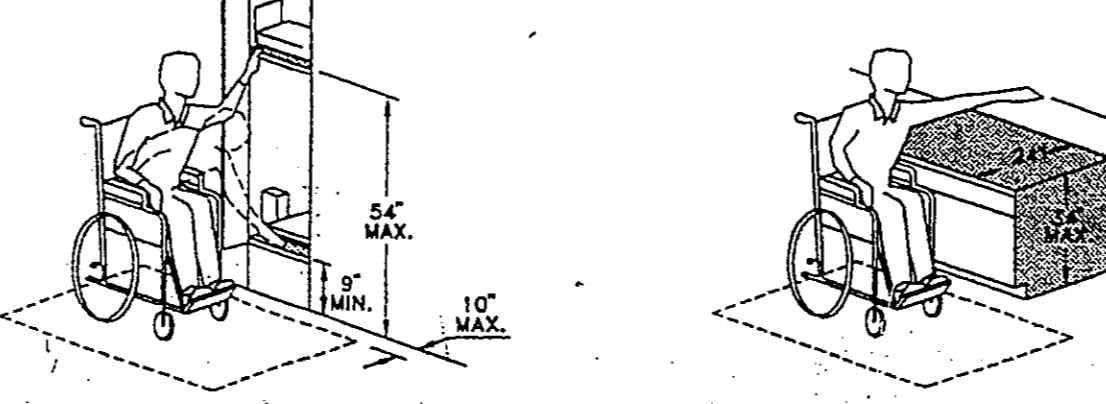


Fig. 98

STORAGE

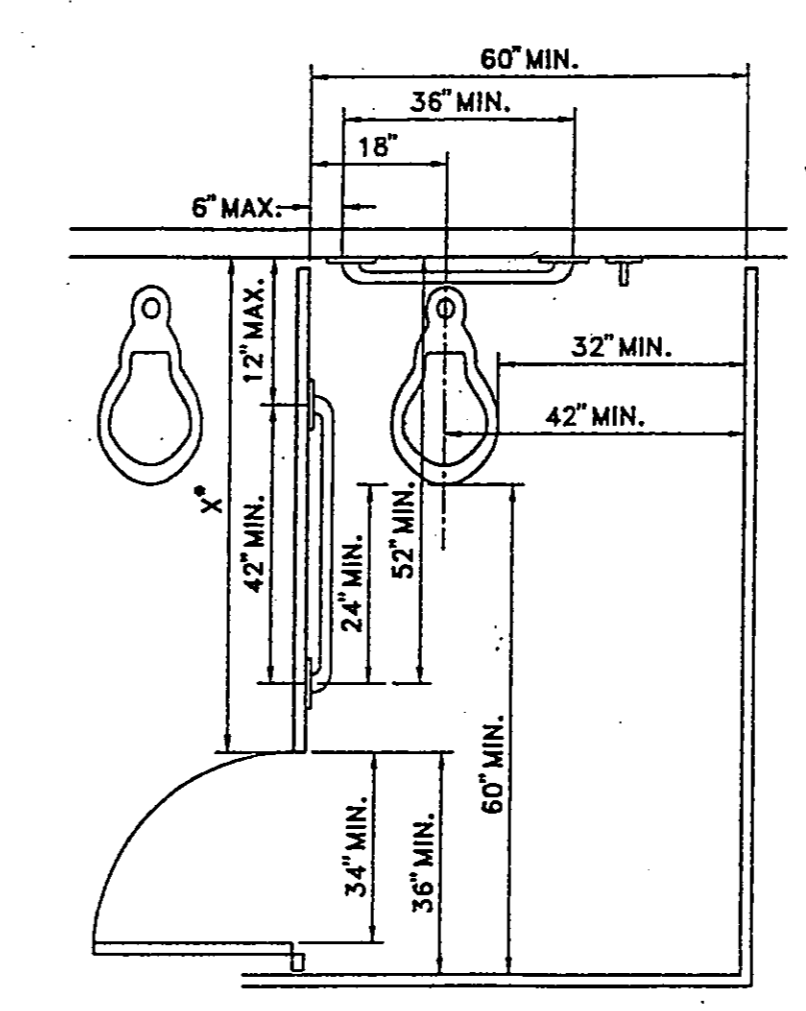


Fig. 81
STANDARD ACCESSIBLE TOILET STALL
(DOOR OPENING AT SIDE OF STALL)

MULTIPLE ACCOMMODATION TOILETS

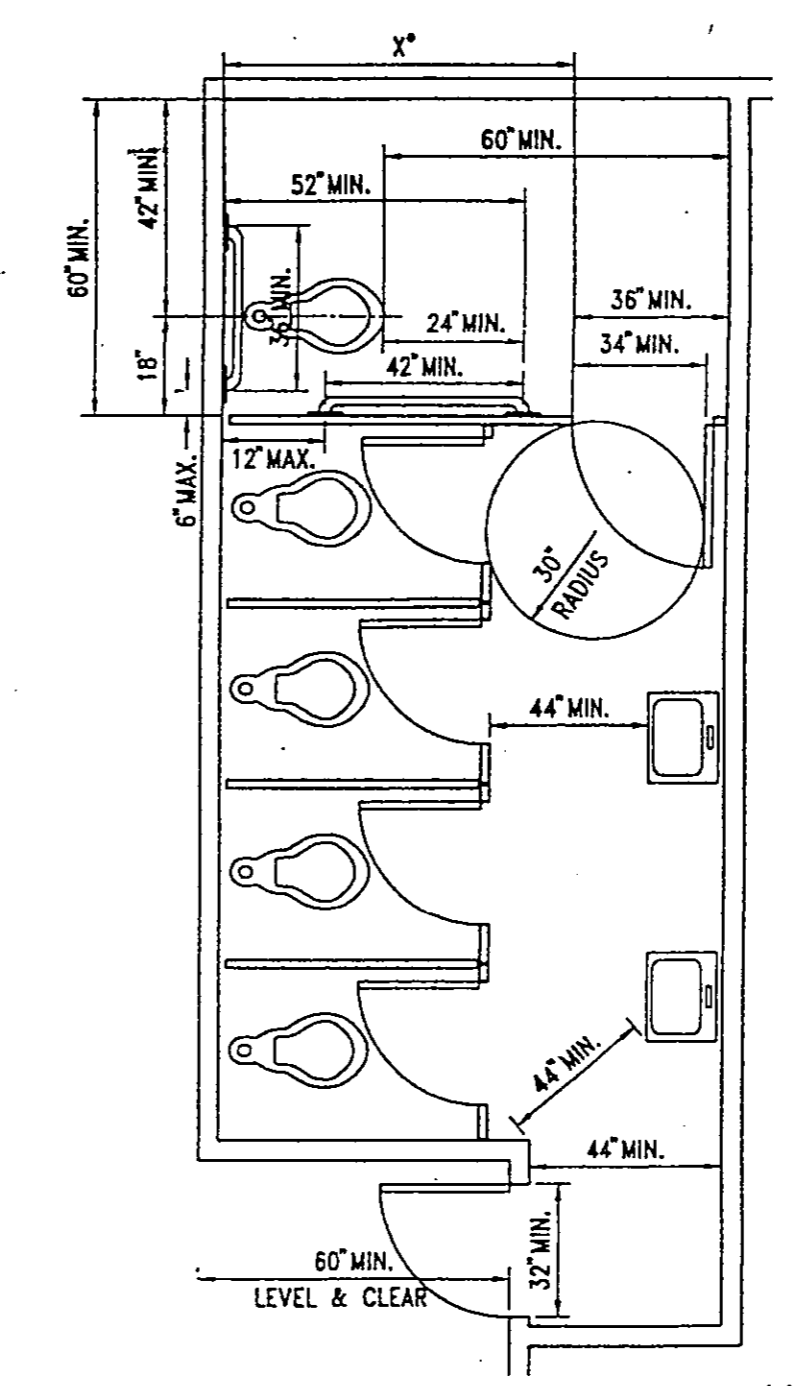


Fig. 82

MULTIPLE ACCOMMODATION TOILETS

MULTIPLE ACCOMMODATION TOILETS

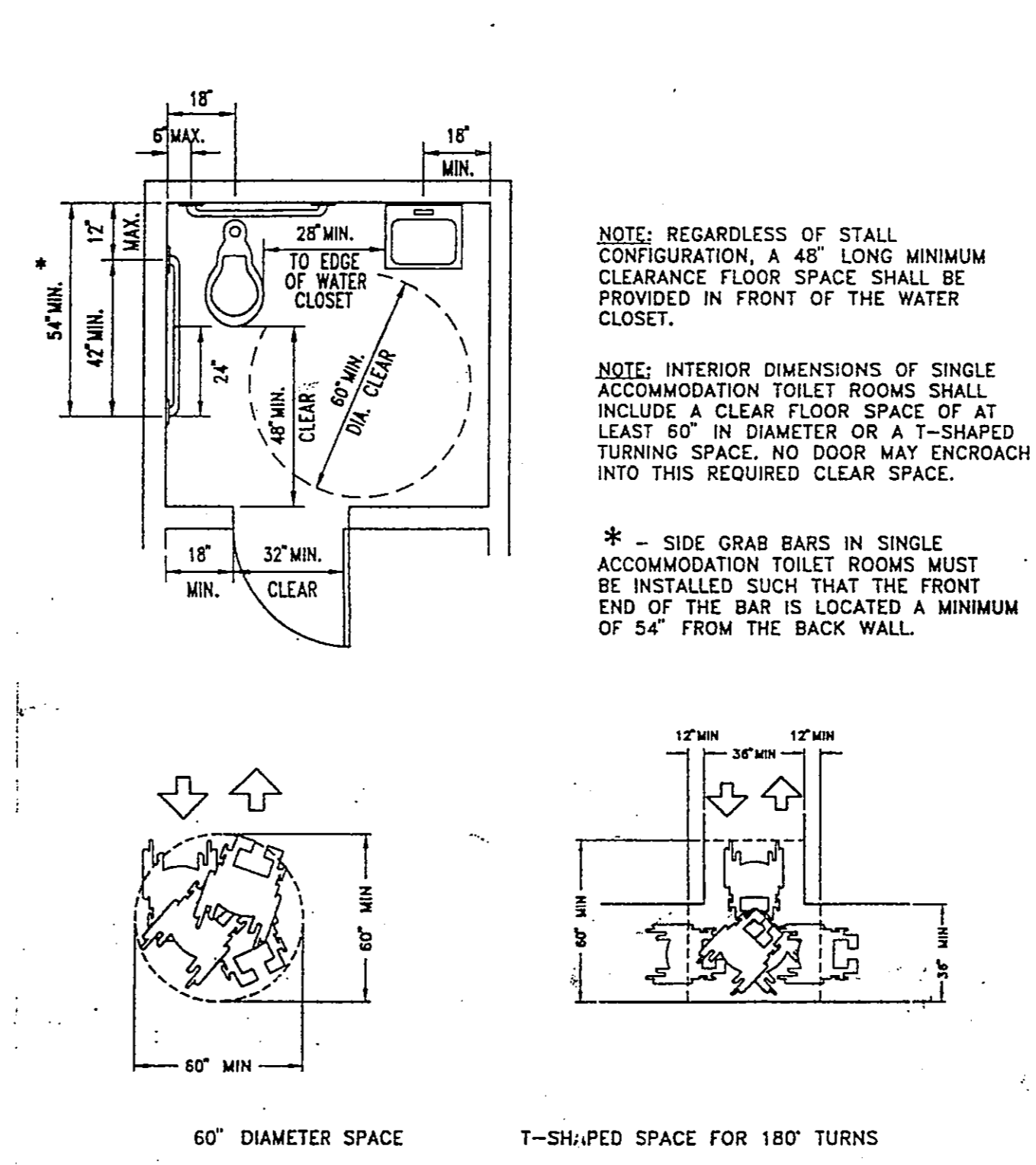


Fig. 84

SINGLE ACCOMMODATION TOILET

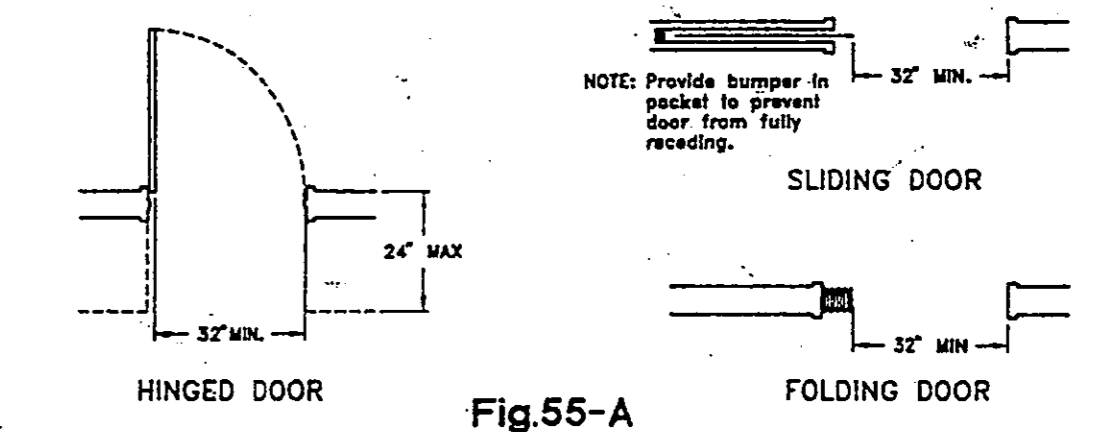


Fig. 55-A
MINIMUM CLEARANCES AT DOORS

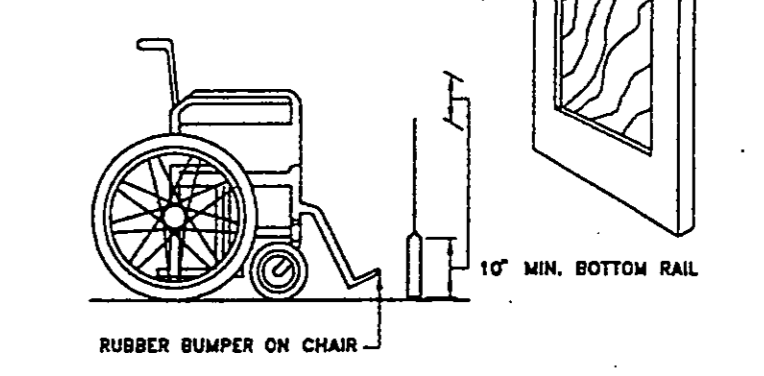


Fig. 55-B
KICK PLATE AT DOORS

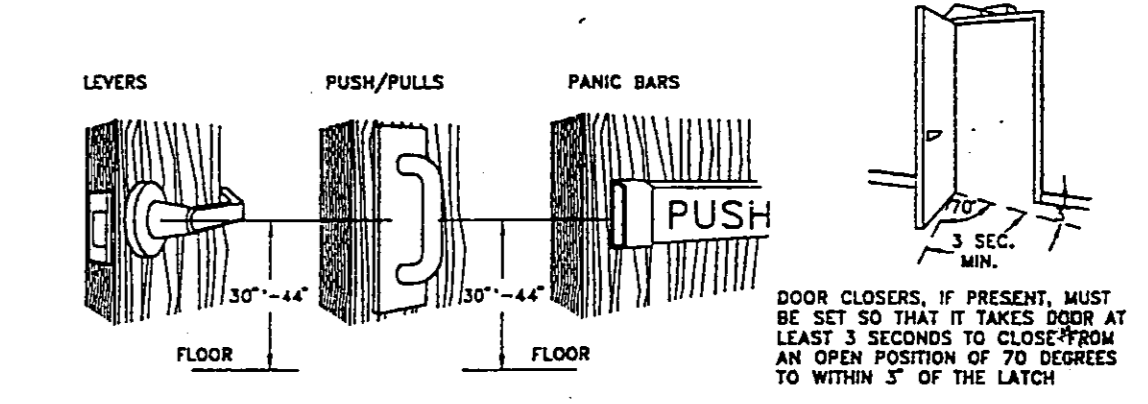


Fig. 55-C
ACCEPTABLE DOOR HARDWARE
& MOUNTING HEIGHTS

DOORS

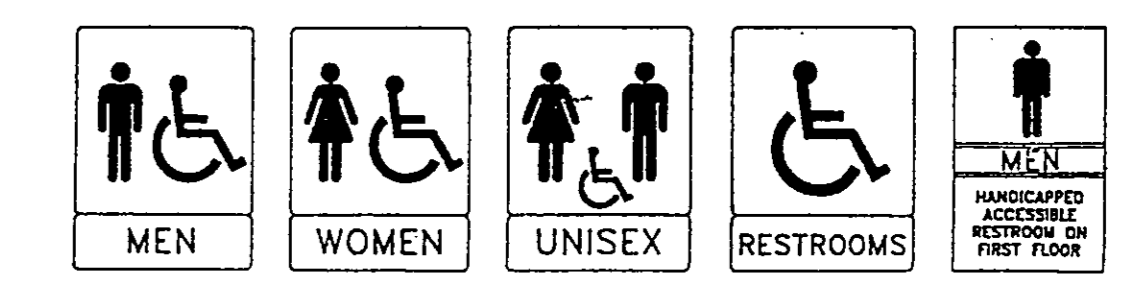


Fig. 55-D
DOOR CLOSERS

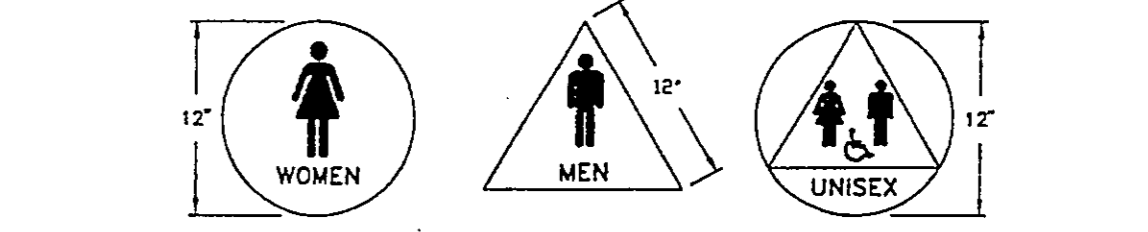


Fig. 78

IDENTIFICATION SYMBOLS FOR
SANITARY FACILITIES

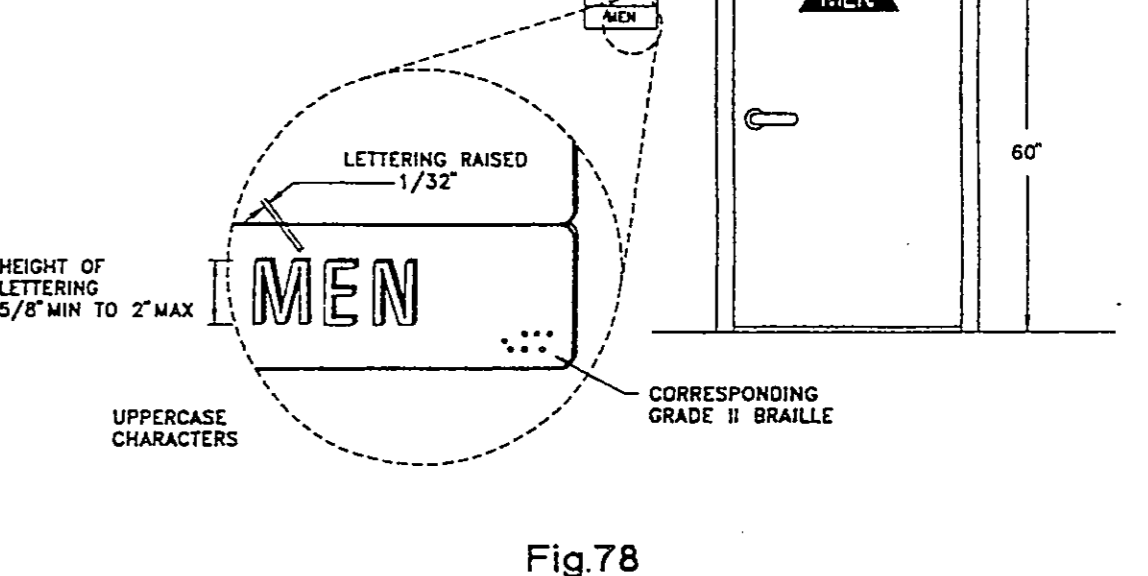


Fig. 78

IDENTIFICATION SYMBOLS FOR
SANITARY FACILITIES

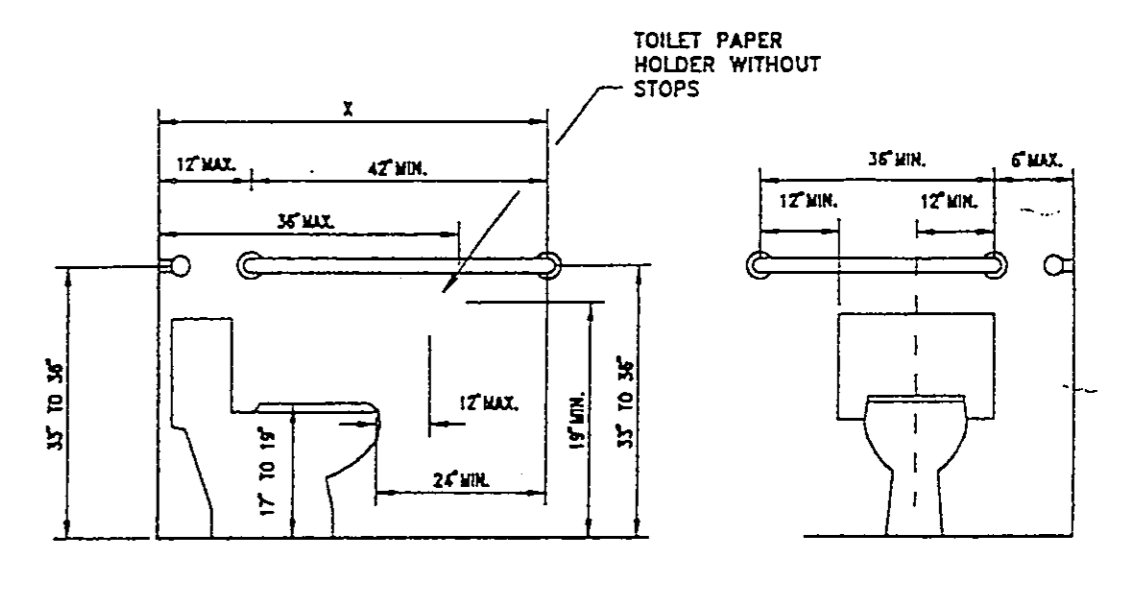


Fig. 80

FLOOR-MOUNTED WATER CLOSETS

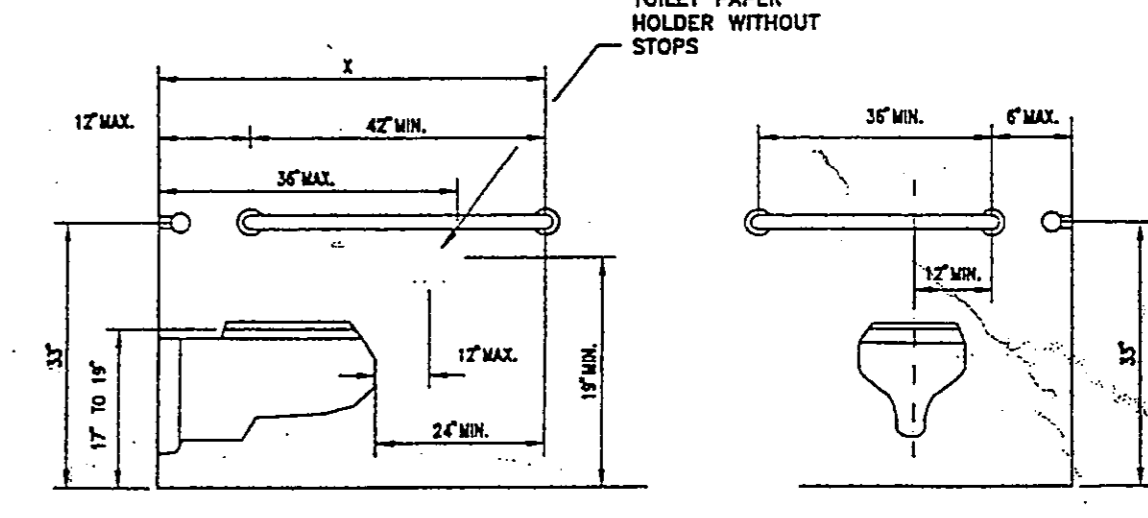
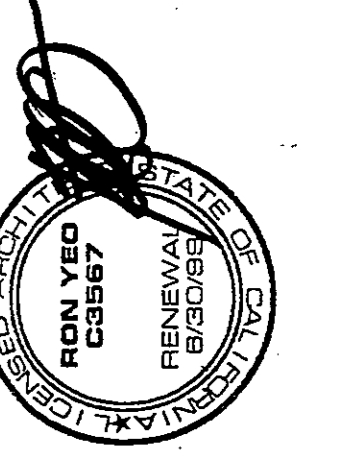


Fig. 80

WALL-MOUNTED WATER CLOSETS

WALL-FLOOR-MOUNTED WATER
CLOSET DETAILS

RON YEO, FAIA ARCHITECT, INC.
500 JASMINE AVENUE, CORONA DEL MAR,
CALIFORNIA 92625 P: 949-446-5111 F: 949-446-0449
PATRICK MARR, AIA, PE ASSOCIATE ARCHITECT



POINT VICENTE INTERPRETIVE
CENTER EXPANSION
31501 Palms Verdes Drive West
Rancho Palms Verdes, CA

POINT VICENTE INTERPRETIVE
CENTER EXPANSION
31501 Palms Verdes Drive West
Rancho Palms Verdes, CA

Accessibility
Diagrams

DRAWN
PMM/MS
CHECKED
RY
DATE
2/1/99
SCALE
1" = 8'-0"
JOB NO.
95-10
SHEET

D-5
3/07/99

PVIC EXPANSION Building Plans
Construction Set
1/24/99
1/24/99