

ELECTRICAL SYMBOLS

WIRING/CONDUIT CONCEALED IN OR ABOVE CEILING
 WIRING/CONDUIT CONCEALED IN OR UNDER FLR.
 WIRING/CONDUIT EXPOSED
 HOMERUN TO PANELBOARD
 CIRCUITS AS NOTED
 CONDUIT TURNED UP
 CONDUIT TURNED DOWN
 TELCO CONDUIT 3/4" UNO
 DATA CONDUIT 3/4" UNO
 FA - FIRE CONDUIT/WIRE
 EX - EXISTING CONDUIT
 SEC - SECURITY CONDUIT 3/4" UNO
 2-#12, 1/2" CONDUIT
 3-#12, 1/2" CONDUIT
 4-#12, 3/4" CONDUIT
 5-#12, 3/4" CONDUIT
 6-#12, 3/4" CONDUIT
 7-#12, 3/4" CONDUIT
 8-#12, 3/4" CONDUIT
 9-#12, 1" CONDUIT

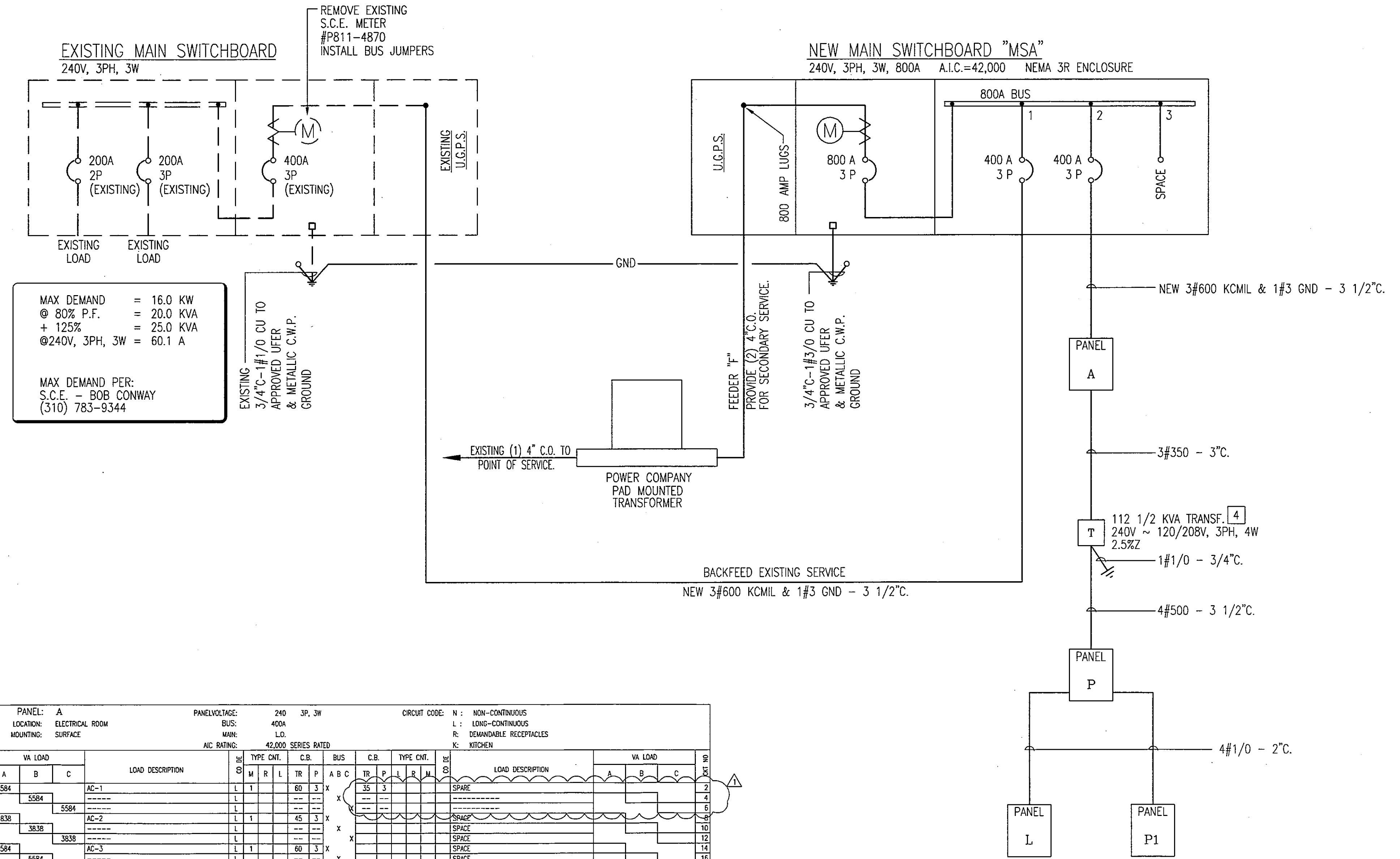
CEILING
 WALL
 FLOOR

○ □ LIGHTING OUTLET WITH FIXTURE AS NOTED
 □ □ FLUORESCENT FIXTURE POCHED INDICATES EMERGENCY BATTERY PACK
 □ □ TWIN HEAD EMERGENCY LIGHT FIXTURE WITH BATTERY PACK
 ○ □ EXIT SIGN WITH ARROW AS INDICATED
 ○ □ SINGLE RECEPTACLE, 120V 15 AMP +15" UNO
 ○ □ DUPLEX RECEPTACLE, 120V, 15 AMP +15" UNO
 ○ □ DOUBLE DUPLEX RECEPTACLE, 120V 15 AMP +15" UNO
 ○ □ TELEPHONE OUTLET, 2-GANG BOX W/ 2-HOLE COVER & 1" CO TO ACCESSIBLE CEILING, +15" UNO
 ○ □ TELEPHONE/DATA OUTLET, 2-GANG BOX W/ 4-HOLE COVER & 1" CO TO ACCESSIBLE CEILING, +25" UNO
 ○ □ DATA OUTLET, 2-GANG BOX W/ 2-HOLE COVER & 1" CO TO ACCESSIBLE CEILING, +25" UNO
 ○ □ JUNCTION BOX (J-BOX)
 ○ □ WALL MOUNTED OCCUPANCY SENSOR +42" (ON/OFF/AUTO)
 ○ □ CEILING MOUNTED OCCUPANCY SENSOR WITH WALL MOUNTED OVERRIDE SWITCH, +42"
 ○ □ ISOLATED GROUND RECEPTACLE 120V, 1PH, 15 AMP, +15" UNO
 ○ □ SPECIAL RECEPTACLE SIZE AS NOTED
 ○ □ CEILING SPEAKER WITH INTEGRAL VOLUME CONTROL
 ○ □ MICROPHONE OUTLET, +42" UNO 3/4"C - (1) W.P. 291 TO AMP/MIXER
 ○ □ TELEVISION OUTLET, +80" UNO 3/4"C.O. TO ACCESSIBLE CEILING SPACE
 ○ □ FIRE ALARM SMOKE DETECTOR (IONIZATION TYPE, UNO.)
 ○ □ FIRE ALARM HEAT DETECTOR
 ○ □ FIRE ALARM DUCT SMOKE DETECTOR

● DOOR CONTACT
 ● CEILING MOUNTED MOTION SENSOR
 ○ ACCESS KEYPAD +42" UNO WITH LOCKABLE COVER
 ○ SURFACE RACEWAY WITH OUTLETS 15" O.C. UNO - WIREMOLD 4000 SERIES
 ○ TOGGLE SWITCH-EACH SUBSCRIPT (LIKE "a", "b", "c") INDICATES INDIVIDUAL SWITCH, +42" UNO
 2- 2 POLE P- PILOT LIGHT
 3- 3 WAY D- DIMMER
 4- 4 WAY MC- MOMENTARY CONTACT
 K- KEYED M- MOTOR RATED
 ○ MOTOR OUTLET
 □ PANELBOARD
 □ TERMINAL CABINET
 □ MAIN DISTRIBUTION PANEL
 □ DISCONNECT SWITCH
 □ MOTOR STARTER, SIZE AS NOTED
 □ COMBINATION DISCONNECT SWITCH AND MOTOR STARTER, SIZE AS NOTED
 □ TRANSFORMER
 □ PUSHBUTTON, +48"
 □ RELAY
 □ FINAL CONNECTION BY CONTRACTOR
 □ THERMOSTAT

2 PLAN NOTE CALL OUT. REFER TO CORRESPONDING PLAN FOR SPECIFICATIONS OR REQUIREMENTS
 A PANEL CALLOUT, (PANEL "A") AND SHEET NUMBER WHERE PANEL SCHEDULE IS LOCATED
 A/144 FIXTURE TYPE TOTAL NUMBER OF WATTS

ABBREVIATIONS
 A. AMP AMPERE(S)
 AF AMP-FUSE
 AFF ABOVE FINISH FLOOR
 AS AMP-SWITCH
 C.B. CIRCUIT BREAKER
 CIRC. CIRCUIT
 C.O. CONDUIT ONLY
 EM EMERGENCY BATTERY PACK
 F FUSE
 GF CI GROUND FAULT CIRCUIT INTERRUPTER
 GFP GROUND FAULT PROTECTION
 GND GROUND
 HP HORSEPOWER
 J JUNCTION
 KVA KILOWATT-AMP
 KW KILOWATT
 L.C.L. LONG CONTINUOUS LOAD
 L.O. LUGS ONLY
 LV LOW VOLTAGE
 N.I.C. NOT IN CONTRACT
 NL NIGHT LIGHT
 N.T.S. NOT TO SCALE
 PC PHOTOCELL CONTROL
 P.O.C. POINT OF CONNECTION
 PROVIDE FURNISH, INSTALL AND CONNECT
 R RELAY
 RGS RIGID GALVANIZED STEEL UNLESS NOTED OTHERWISE
 UNO UNLESS NOTED OTHERWISE
 V VOLT(S)
 VA VOLT-AMP(S)
 W WATT(S)
 WP WEATHERPROOF
 WT WATER TIGHT



| PANEL: A | | PANEL VOLTAGE: 240 3P, 3W | | CIRCUIT CODE: N - NON-CONTINUOUS | | | | | | | |
|---------------------------|---------|---------------------------|----|----------------------------------|------|-----|------|-----------|-----|------------------|---------|
| LOCATION: ELECTRICAL ROOM | | BUS: 400A | | L - LONG-CONTINUOUS | | | | | | | |
| MOUNTING: SURFACE | | MIN: 1.0 | | R - REMOVABLE RECEPTACLES | | | | | | | |
| | | L.O. 42,000 SERIES RATED | | K - KITCHEN | | | | | | | |
| SI | VA LOAD | LOAD DESCRIPTION | SI | TYPE CNT. | C.B. | BUS | C.B. | TYPE CNT. | SI | LOAD DESCRIPTION | VA LOAD |
| 1 | 5584 | AC-1 | 1 | L | 1 | TR | P | 3 | 1 | SPACE | 0 |
| 2 | 5584 | AC-1 | 1 | L | 1 | TR | P | 3 | 2 | SPACE | 0 |
| 3 | 5584 | AC-1 | 1 | L | 1 | TR | P | 3 | 3 | SPACE | 0 |
| 4 | 5584 | AC-1 | 1 | L | 1 | TR | P | 3 | 4 | SPACE | 0 |
| 5 | 5584 | AC-1 | 1 | L | 1 | TR | P | 3 | 5 | SPACE | 0 |
| 6 | 5584 | AC-1 | 1 | L | 1 | TR | P | 3 | 6 | SPACE | 0 |
| 7 | 5584 | AC-1 | 1 | L | 1 | TR | P | 3 | 7 | SPACE | 0 |
| 8 | 5584 | AC-1 | 1 | L | 1 | TR | P | 3 | 8 | SPACE | 0 |
| 9 | 5584 | AC-1 | 1 | L | 1 | TR | P | 3 | 9 | SPACE | 0 |
| 10 | 5584 | AC-1 | 1 | L | 1 | TR | P | 3 | 10 | SPACE | 0 |
| 11 | 5584 | AC-1 | 1 | L | 1 | TR | P | 3 | 11 | SPACE | 0 |
| 12 | 5584 | AC-1 | 1 | L | 1 | TR | P | 3 | 12 | SPACE | 0 |
| 13 | 5584 | AC-1 | 1 | L | 1 | TR | P | 3 | 13 | SPACE | 0 |
| 14 | 5584 | AC-1 | 1 | L | 1 | TR | P | 3 | 14 | SPACE | 0 |
| 15 | 5584 | AC-1 | 1 | L | 1 | TR | P | 3 | 15 | SPACE | 0 |
| 16 | 5584 | AC-1 | 1 | L | 1 | TR | P | 3 | 16 | SPACE | 0 |
| 17 | 5584 | AC-1 | 1 | L | 1 | TR | P | 3 | 17 | SPACE | 0 |
| 18 | 5584 | AC-1 | 1 | L | 1 | TR | P | 3 | 18 | SPACE | 0 |
| 19 | 5584 | AC-1 | 1 | L | 1 | TR | P | 3 | 19 | SPACE | 0 |
| 20 | 5584 | AC-1 | 1 | L | 1 | TR | P | 3 | 20 | SPACE | 0 |
| 21 | 5584 | AC-1 | 1 | L | 1 | TR | P | 3 | 21 | SPACE | 0 |
| 22 | 5584 | AC-1 | 1 | L | 1 | TR | P | 3 | 22 | SPACE | 0 |
| 23 | 5584 | AC-1 | 1 | L | 1 | TR | P | 3 | 23 | SPACE | 0 |
| 24 | 5584 | AC-1 | 1 | L | 1 | TR | P | 3 | 24 | SPACE | 0 |
| 25 | 5584 | AC-1 | 1 | L | 1 | TR | P | 3 | 25 | SPACE | 0 |
| 26 | 5584 | AC-1 | 1 | L | 1 | TR | P | 3 | 26 | SPACE | 0 |
| 27 | 5584 | AC-1 | 1 | L | 1 | TR | P | 3 | 27 | SPACE | 0 |
| 28 | 5584 | AC-1 | 1 | L | 1 | TR | P | 3 | 28 | SPACE | 0 |
| 29 | 5584 | AC-1 | 1 | L | 1 | TR | P | 3 | 29 | SPACE | 0 |
| 30 | 5584 | AC-1 | 1 | L | 1 | TR | P | 3 | 30 | SPACE | 0 |
| 31 | 5584 | AC-1 | 1 | L | 1 | TR | P | 3 | 31 | SPACE | 0 |
| 32 | 5584 | AC-1 | 1 | L | 1 | TR | P | 3 | 32 | SPACE | 0 |
| 33 | 5584 | AC-1 | 1 | L | 1 | TR | P | 3 | 33 | SPACE | 0 |
| 34 | 5584 | AC-1 | 1 | L | 1 | TR | P | 3 | 34 | SPACE | 0 |
| 35 | 5584 | AC-1 | 1 | L | 1 | TR | P | 3 | 35 | SPACE | 0 |
| 36 | 5584 | AC-1 | 1 | L | 1 | TR | P | 3 | 36 | SPACE | 0 |
| 37 | 5584 | AC-1 | 1 | L | 1 | TR | P | 3 | 37 | SPACE | 0 |
| 38 | 5584 | AC-1 | 1 | L | 1 | TR | P | 3 | 38 | SPACE | 0 |
| 39 | 5584 | AC-1 | 1 | L | 1 | TR | P | 3 | 39 | SPACE | 0 |
| 40 | 5584 | AC-1 | 1 | L | 1 | TR | P | 3 | 40 | SPACE | 0 |
| 41 | 5584 | AC-1 | 1 | L | 1 | TR | P | 3 | 41 | SPACE | 0 |
| 42 | 5584 | AC-1 | 1 | L | 1 | TR | P | 3 | 42 | SPACE | 0 |
| 43 | 5584 | AC-1 | 1 | L | 1 | TR | P | 3 | 43 | SPACE | 0 |
| 44 | 5584 | AC-1 | 1 | L | 1 | TR | P | 3 | 44 | SPACE | 0 |
| 45 | 5584 | AC-1 | 1 | L | 1 | TR | P | 3 | 45 | SPACE | 0 |
| 46 | 5584 | AC-1 | 1 | L | 1 | TR | P | 3 | 46 | SPACE | 0 |
| 47 | 5584 | AC-1 | 1 | L | 1 | TR | P | 3 | 47 | SPACE | 0 |
| 48 | 5584 | AC-1 | 1 | L | 1 | TR | P | 3 | 48 | SPACE | 0 |
| 49 | 5584 | AC-1 | 1 | L | 1 | TR | P | 3 | 49 | SPACE | 0 |
| 50 | 5584 | AC-1 | 1 | L | 1 | TR | P | 3 | 50 | SPACE | 0 |
| 51 | 5584 | AC-1 | 1 | L | 1 | TR | P | 3 | 51 | SPACE | 0 |
| 52 | 5584 | AC-1 | 1 | L | 1 | TR | P | 3 | 52 | SPACE | 0 |
| 53 | 5584 | AC-1 | 1 | L | 1 | TR | P | 3 | 53 | SPACE | 0 |
| 54 | 5584 | AC-1 | 1 | L | 1 | TR | P | 3 | 54 | SPACE | 0 |
| 55 | 5584 | AC-1 | 1 | L | 1 | TR | P | 3 | 55 | SPACE | 0 |
| 56 | 5584 | AC-1 | 1 | L | 1 | TR | P | 3 | 56 | SPACE | 0 |
| 57 | 5584 | AC-1 | 1 | L | 1 | TR | P | 3 | 57 | SPACE | 0 |
| 58 | 5584 | AC-1 | 1 | L | 1 | TR | P | 3 | 58 | SPACE | 0 |
| 59 | 5584 | AC-1 | 1 | L | 1 | TR | P | 3 | 59 | SPACE | 0 |
| 60 | 5584 | AC-1 | 1 | L | 1 | TR | P | 3 | 60 | SPACE | 0 |
| 61 | 5584 | AC-1 | 1 | L | 1 | TR | P | 3 | 61 | SPACE | 0 |
| 62 | 5584 | AC-1 | 1 | L | 1 | TR | P | 3 | 62 | SPACE | 0 |
| 63 | 5584 | AC-1 | 1 | L | 1 | TR | P | 3 | 63 | SPACE | 0 |
| 64 | 5584 | AC-1 | 1 | L | 1 | TR | P | 3 | 64 | SPACE | 0 |
| 65 | 5584 | AC-1 | 1 | L | 1 | TR | P | 3 | 65 | SPACE | 0 |
| 66 | 5584 | AC-1 | 1 | L | 1 | TR | P | 3 | 66 | SPACE | 0 |
| 67 | 5584 | AC-1 | 1 | L | 1 | TR | P | 3 | 67 | SPACE | 0 |
| 68 | 5584 | AC-1 | 1 | L | 1 | TR | P | 3 | 68 | SPACE | 0 |
| 69 | 5584 | AC-1 | 1 | L | 1 | TR | P | 3 | 69 | SPACE | 0 |
| 70 | 5584 | AC-1 | 1 | L | 1 | TR | P | 3 | 70 | SPACE | 0 |
| 71 | 5584 | AC-1 | 1 | L | 1 | TR | P | 3 | 71 | SPACE | 0 |
| 72 | 5584 | AC-1 | 1 | L | 1 | TR | P | 3 | 72 | SPACE | 0 |
| 73 | 5584 | AC-1 | 1 | L | 1 | TR | P | 3 | 73 | SPACE | 0 |
| 74 | 5584 | AC-1 | 1 | L | 1 | TR | P | 3 | 74 | SPACE | 0 |
| 75 | 5584 | AC-1 | 1 | L | 1 | TR | P | 3 | 75 | SPACE | 0 |
| 76 | 5584 | AC-1 | 1 | L | 1 | TR | P | 3 | 76 | SPACE | 0 |
| 77 | 5584 | AC-1 | 1 | L | 1 | TR | P | 3 | 77 | SPACE | 0 |
| 78 | 5584 | AC-1 | 1 | L | 1 | TR | P | 3 | 78 | SPACE | 0 |
| 79 | 5584 | AC-1 | 1 | L | 1 | TR | P | 3 | 79 | SPACE | 0 |
| 80 | 5584 | AC-1 | 1 | L | 1 | TR | P | 3 | 80 | SPACE | 0 |
| 81 | 5584 | AC-1 | 1 | L | 1 | TR | P | 3 | 81 | SPACE | 0 |
| 82 | 5584 | AC-1 | 1 | L | 1 | TR | P | 3 | 82 | SPACE | 0 |
| 83 | 5584 | AC-1 | 1 | L | 1 | TR | P | 3 | 83 | SPACE | 0 |
| 84 | 5584 | AC-1 | 1 | L | 1 | TR | P | 3 | 84 | SPACE | 0 |
| 85 | 5584 | AC-1 | 1 | L | 1 | TR | P | 3 | 85 | SPACE | 0 |
| 86 | 5584 | AC-1 | 1 | L | 1 | TR | P | 3 | 86 | SPACE | 0 |
| 87 | 5584 | AC-1 | 1 | L | 1 | TR | P | 3 | 87 | SPACE | 0 |
| 88 | 5584 | AC-1 | 1 | L | 1 | TR | P | 3 | 88 | SPACE | 0 |
| 89 | 5584 | AC-1 | 1 | L | 1 | TR | P | 3 | 89 | SPACE | 0 |
| 90 | 5584 | AC-1 | 1 | L | 1 | TR | P | 3 | 90 | SPACE | 0 |
| 91 | 5584 | AC-1 | 1 | L | 1 | TR | P | 3 | 91 | SPACE | 0 |
| 92 | 5584 | AC-1 | 1 | L | 1 | TR | P | 3 | 92 | SPACE | 0 |
| 93 | 5584 | AC-1 | 1 | L | 1 | TR | P | 3 | 93 | SPACE | 0 |
| 94 | 5584 | AC-1 | 1 | L | 1 | TR | P | 3 | 94 | SPACE | 0 |
| 95 | 5584 | AC-1 | 1 | L | 1 | TR | P | 3 | 95 | SPACE | 0 |
| 96 | 5584 | AC-1 | 1 | L | 1 | TR | P | 3 | 96 | SPACE | 0 |
| 97 | 5584 | AC-1 | 1 | L | 1 | TR | P | 3 | 97 | SPACE | 0 |
| 98 | 5584 | AC-1 | 1 | L | 1 | TR | P | 3 | 98 | SPACE | 0 |
| 99 | 5584 | AC-1 | 1 | L | 1 | TR | P | 3 | 99 | SPACE | 0 |
| 100 | 5584 | AC-1 | 1 | L | 1 | TR | P | 3 | 100 | SPACE | 0 |
| 101 | 5584 | AC-1 | 1 | L | 1 | TR | P | 3 | 101 | SPACE | 0 |
| 102 | 5584 | | | | | | | | | | |