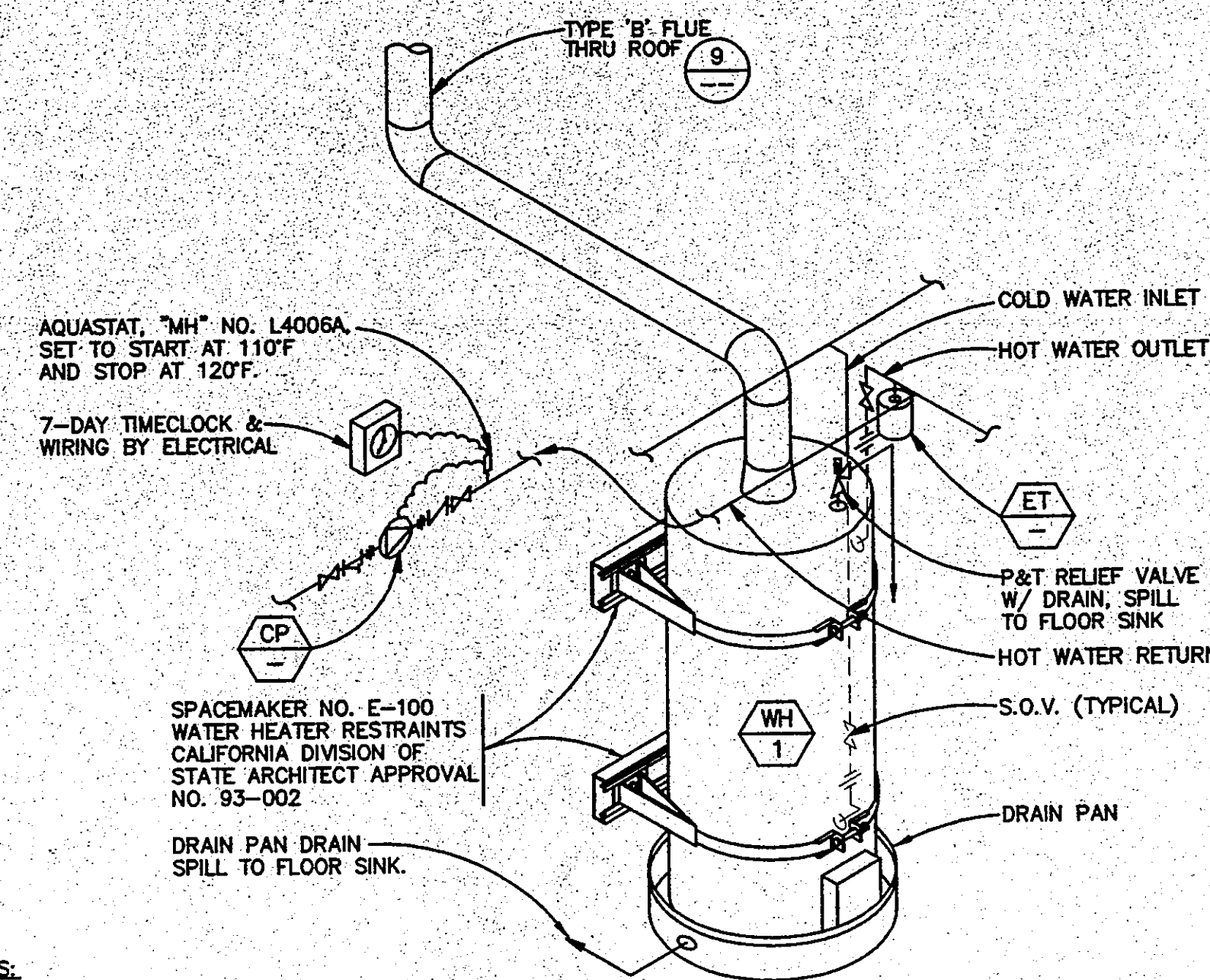


AUTOMATIC SPRINKLER RISER DETAIL

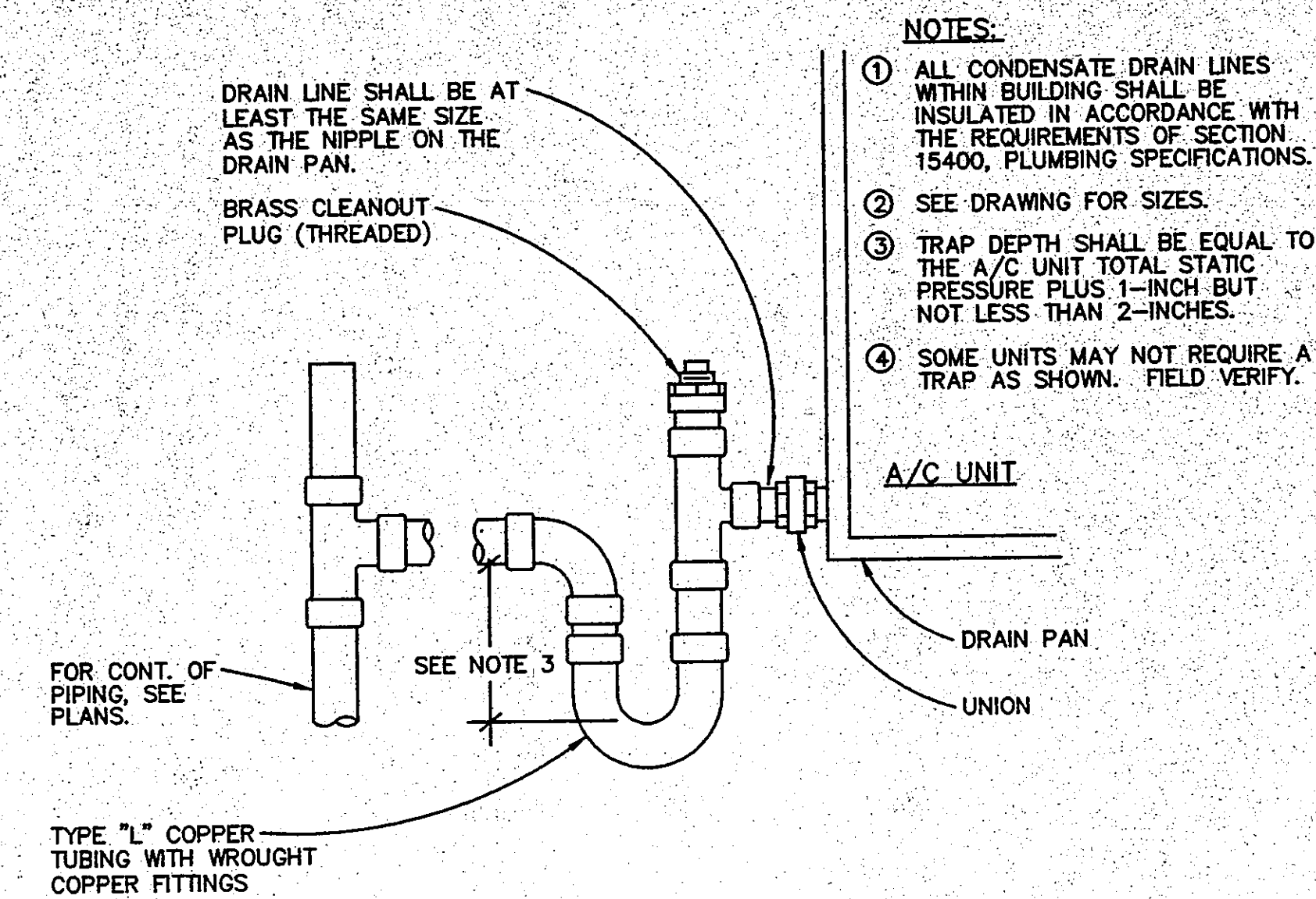
SCALE NONE 1



INSTALLATION NOTES:
 1. MOUNT CHANNELS ON WALL STUDS.
 2. INSTALL UPPER RESTRAINT 1/3 DOWN FROM TOP OF WATER HEATER AND LOWER RESTRAINT 4" ABOVE THE TOP OF CONTROLS.
 3. INSTALL WATER HEATER TIGHT TO CHANNEL AND GUSSET ASSEMBLIES.

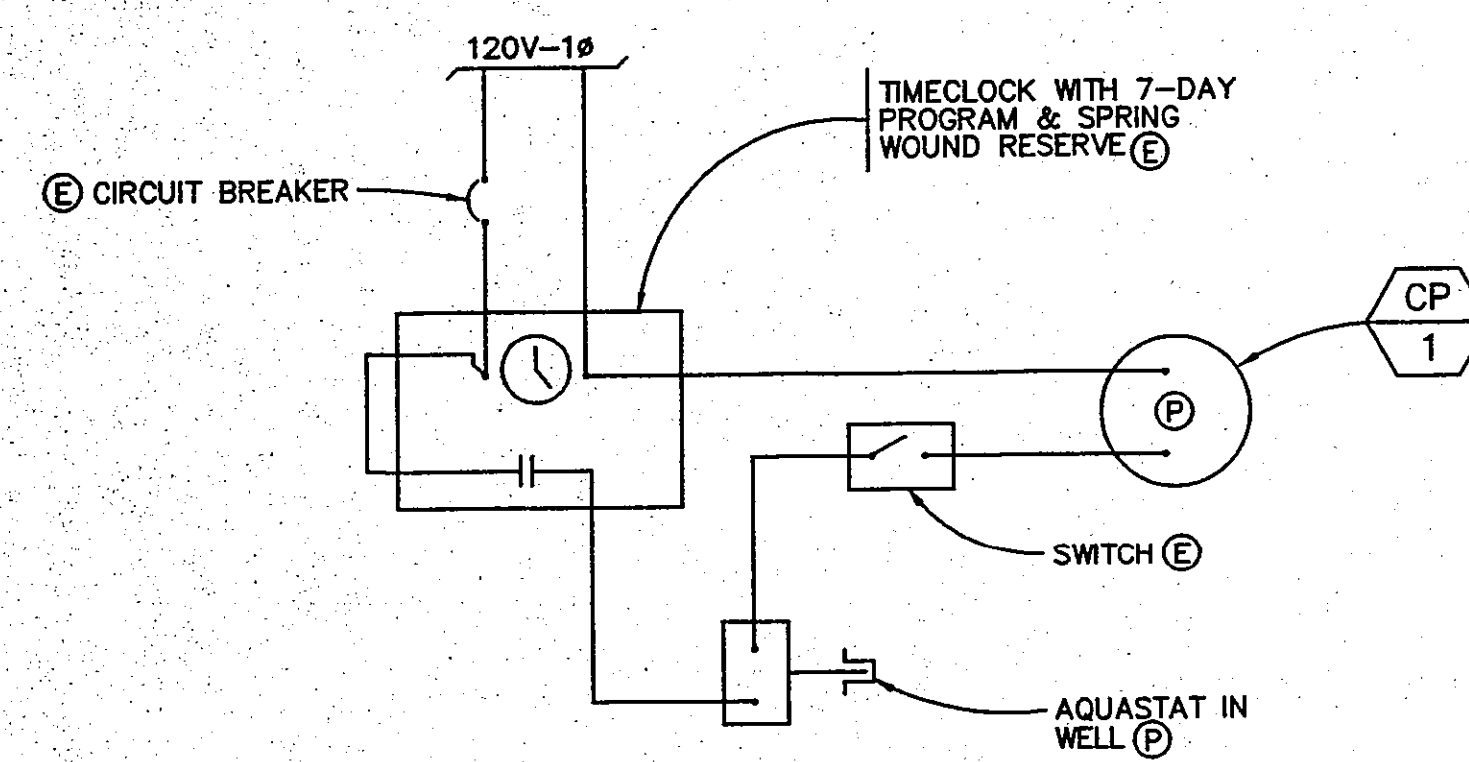
WATER HEATER

SCALE NONE 2



CONDENSATE DRAIN TRAP DETAIL

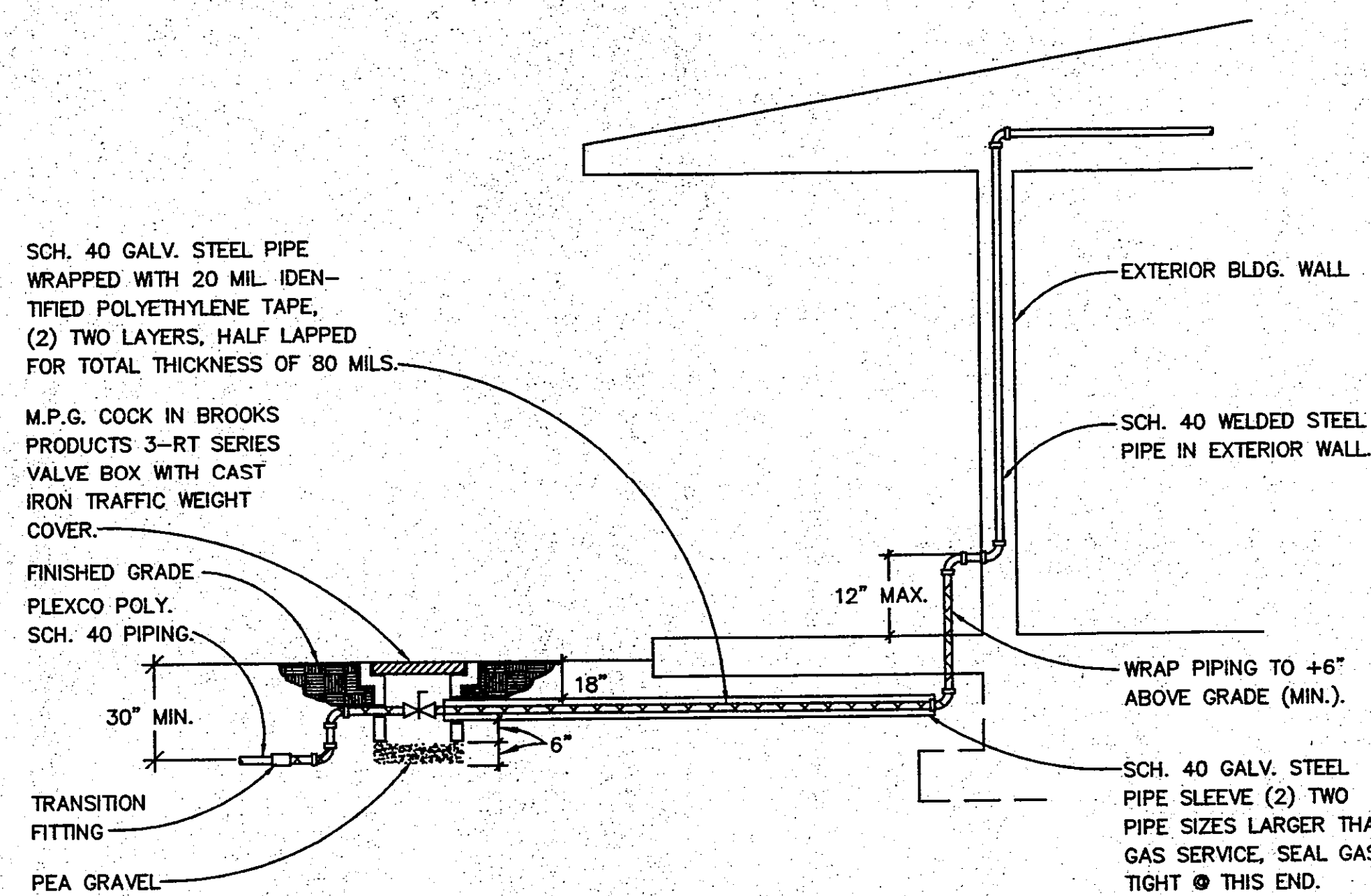
SCALE NONE 3



Ⓔ ITEM INDICATED ON THE ELECTRICAL DRAWING AND SPECIFIED IN THE ELECTRICAL SECTIONS OF THE SPECIFICATION.
 Ⓕ ITEM INDICATED ON THE PLUMBING DRAWING AND SPECIFIED IN THE PLUMBING SECTIONS OF THE SPECIFICATION.

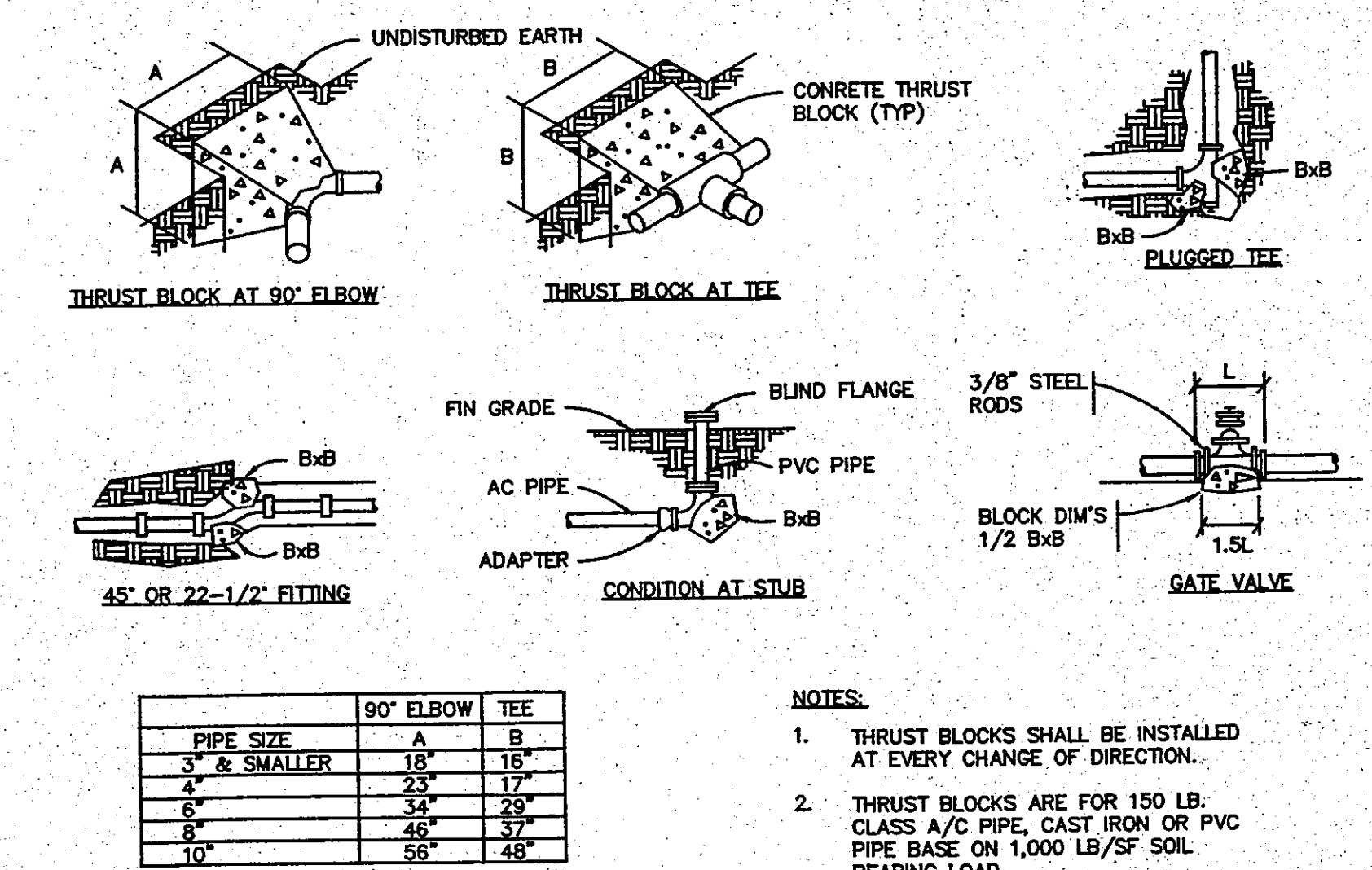
CIRC. PUMP WIRING DIAGRAM

SCALE NONE 4



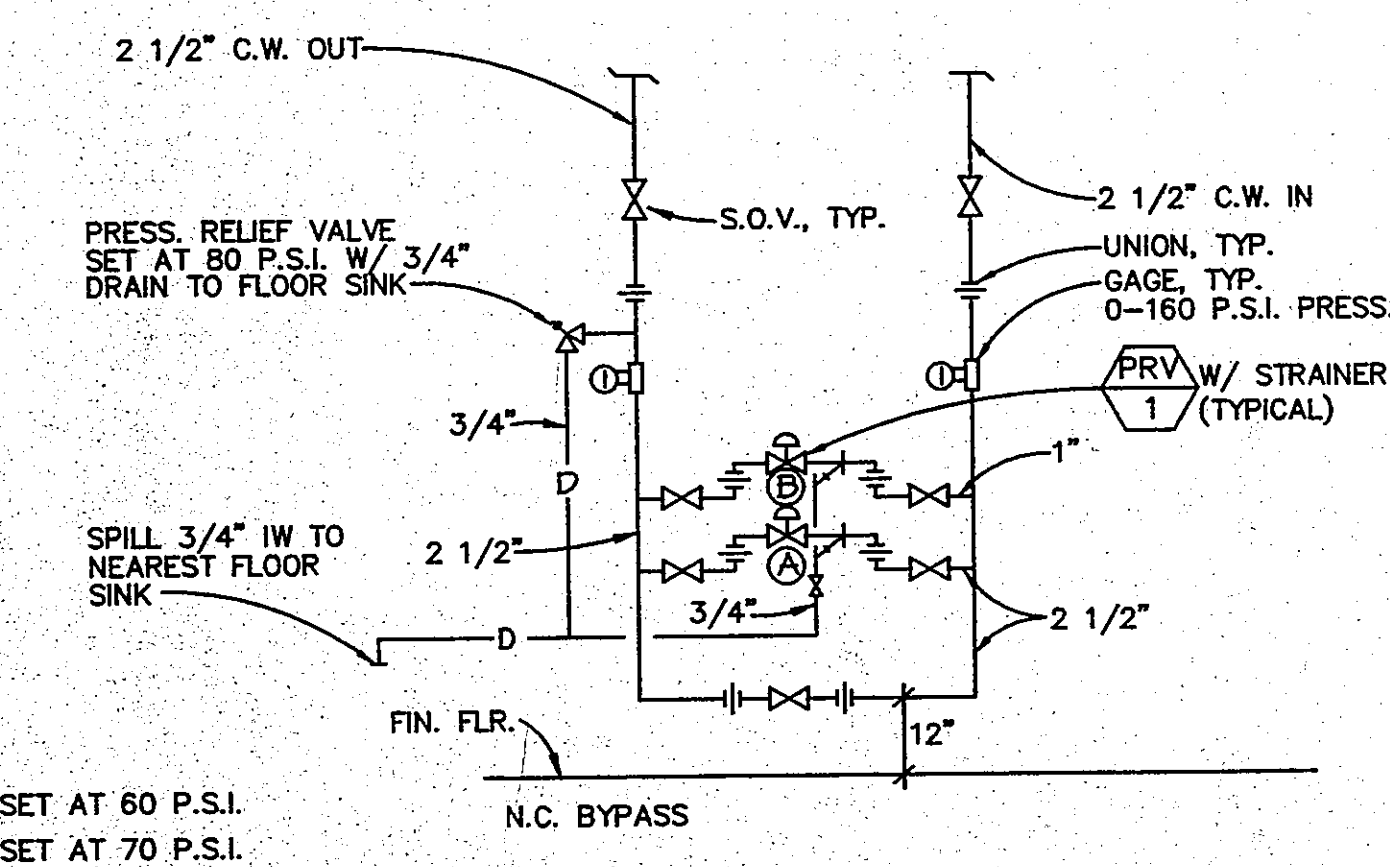
BUILDING GAS SUPPLY DETAIL

SCALE NONE 5



THRUST BLOCK DETAIL

SCALE NONE 6

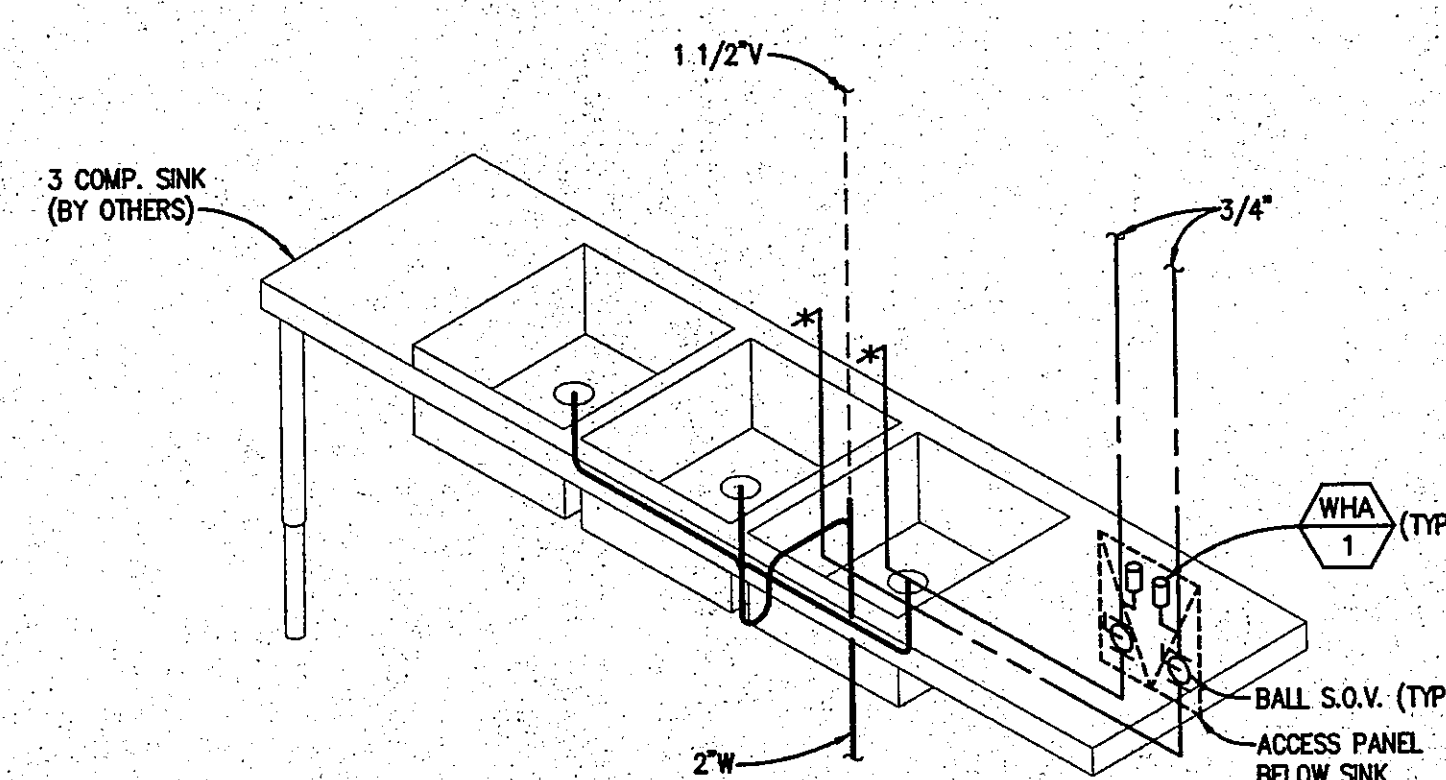


Ⓐ SET AT 60 P.S.I.
 Ⓑ SET AT 70 P.S.I.

NOTE:
 ANCHOR ENTIRE ASSEMBLY TO WALL ON UNISTRUT

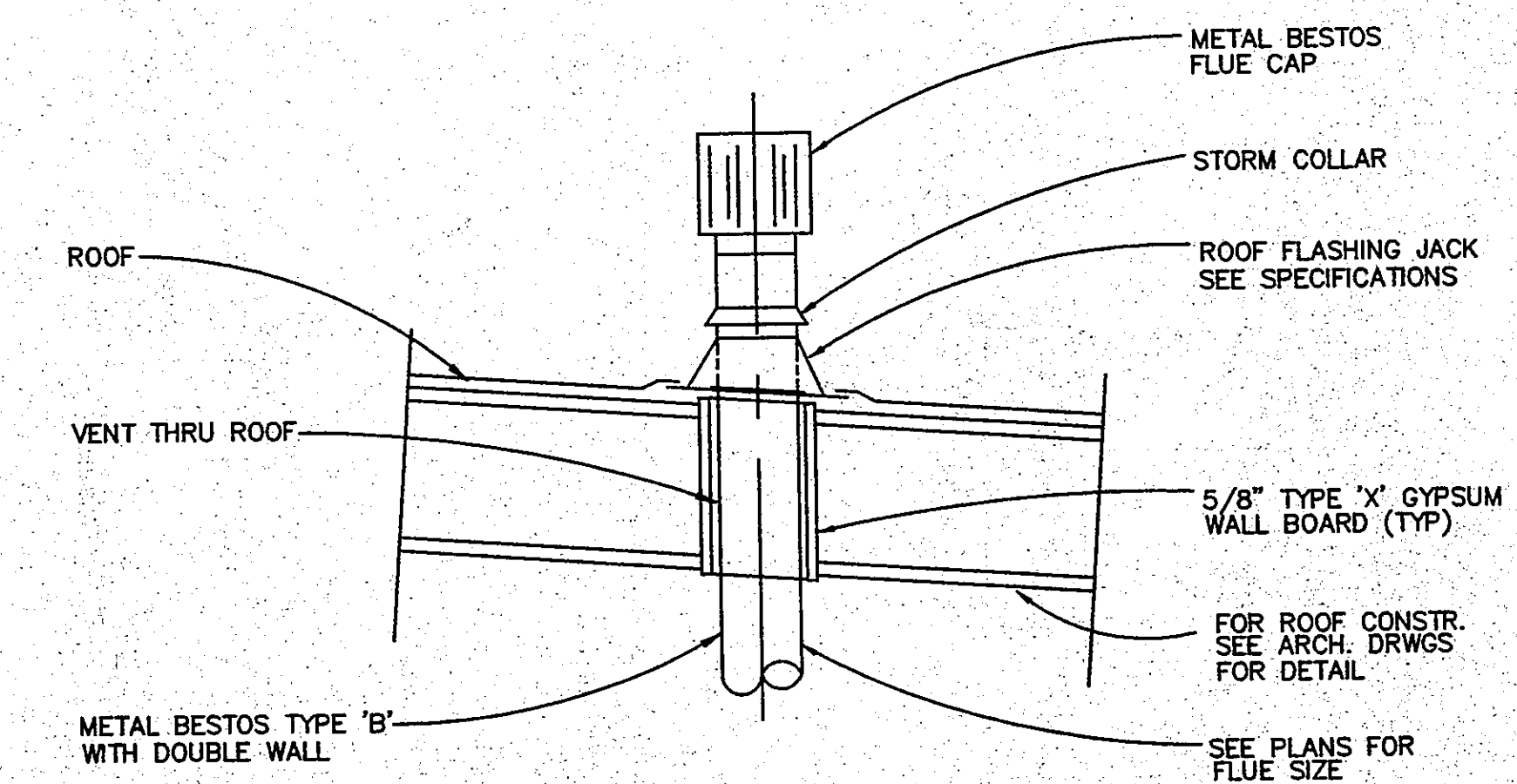
P.R.V. ASSEMBLY DETAIL

SCALE NONE 7



PRE-RINSE PIPING DETAIL

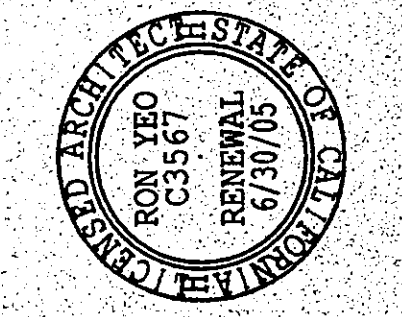
SCALE NONE 8



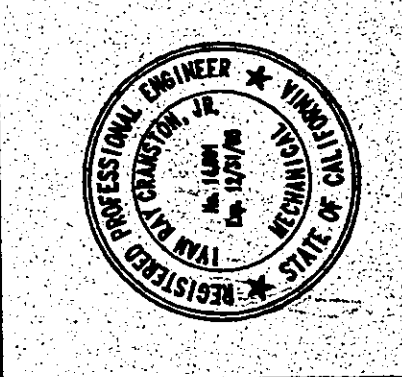
FLUE THRU ROOF DETAIL

SCALE NONE 9

RON VEC. FATA ARCHITECT, INC.
 500 JASPER AVENUE, CROTONA
 CALIFORNIA 91702 P: 914-644-8111 F: 914-644-0419
 PATRICK WARR, AIA, PE, ASSOCIATE ARCHITECT



FTA
 FATA TECHNICAL ARCHITECTURE
 500 JASPER AVENUE, CROTONA, CA 91702
 TEL: 914-644-8111 FAX: 914-644-0419
 WWW.FATAARCHITECT.COM



Plumbing Details
 POINT VICENTE INTERPRETIVE
 CENTER EXPANSION
 31501 Palos Verdes Drive West
 Rancho Palos Verdes, CA

APPROVALS
 Architect

DATE	2/1/99
BY	NONE
REVISION	97-123
JOB NO.	97-123
SHEET	P-4
DATE	DEC 21 2004
OF	57 OF 69 SHEETS