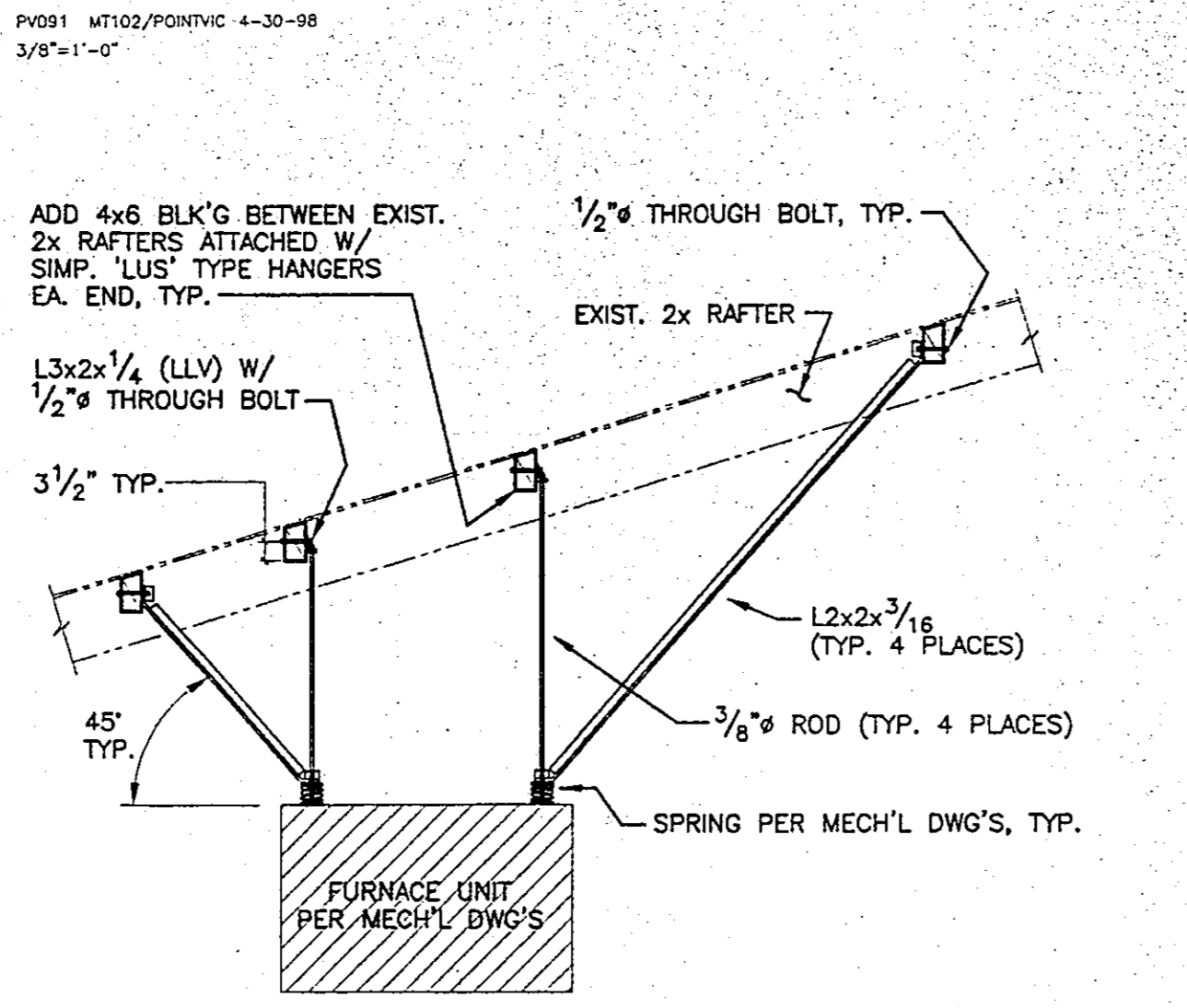
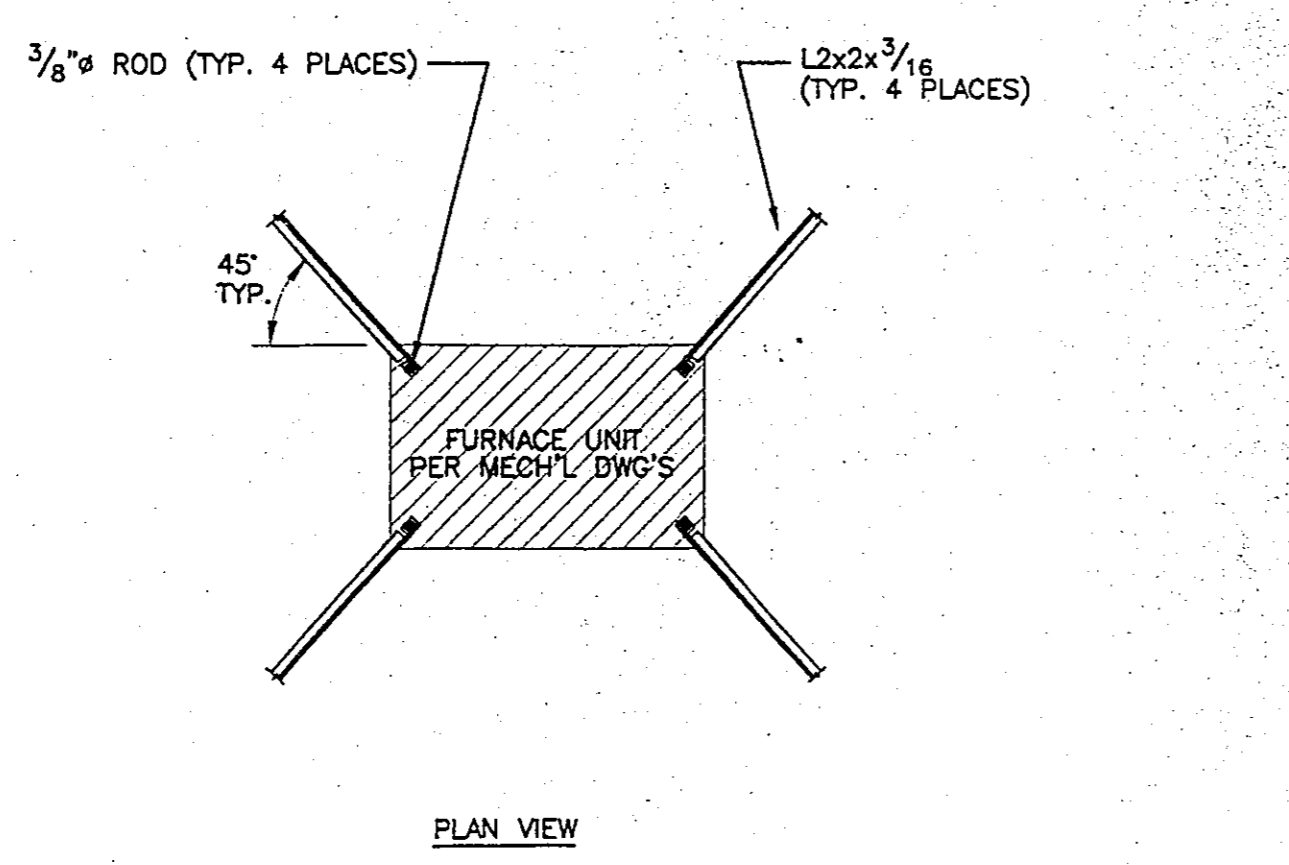


Non-Residential Use: Expressly reserves its copyright and all other rights in this drawing. Any reproduction, in whole or in part, without the written consent of Ron Yeo, Architect, Inc. is prohibited.

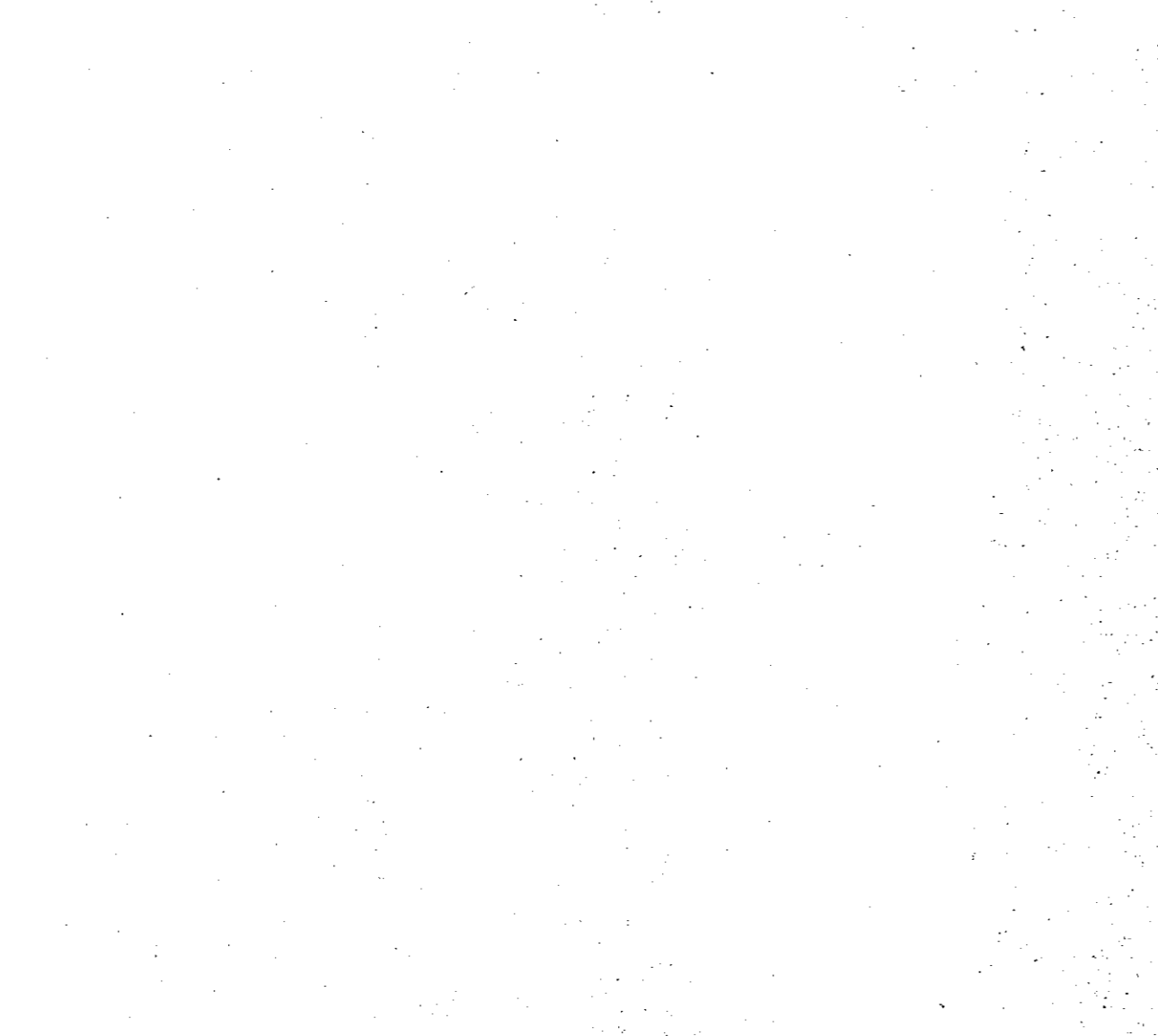
17



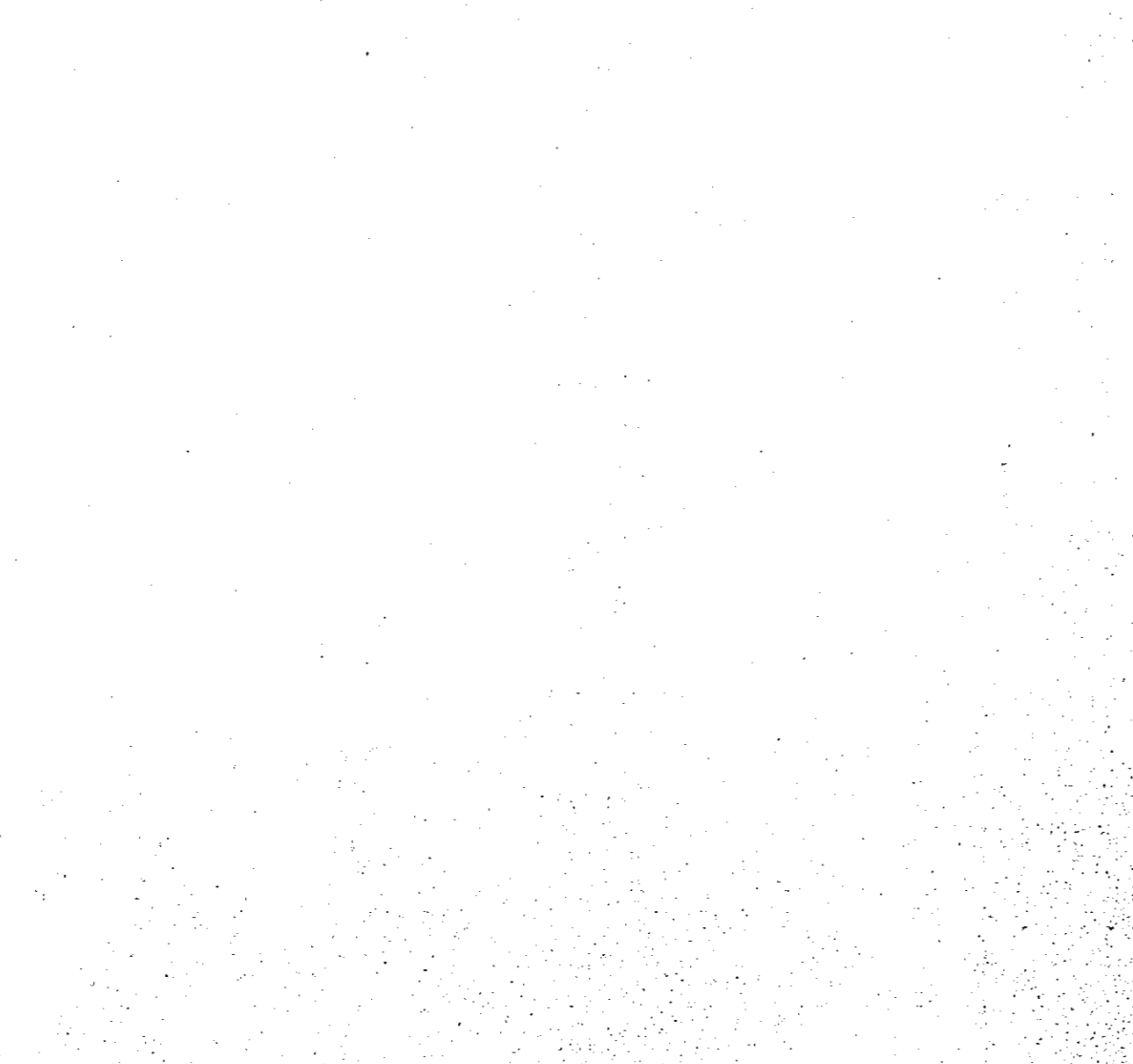
18



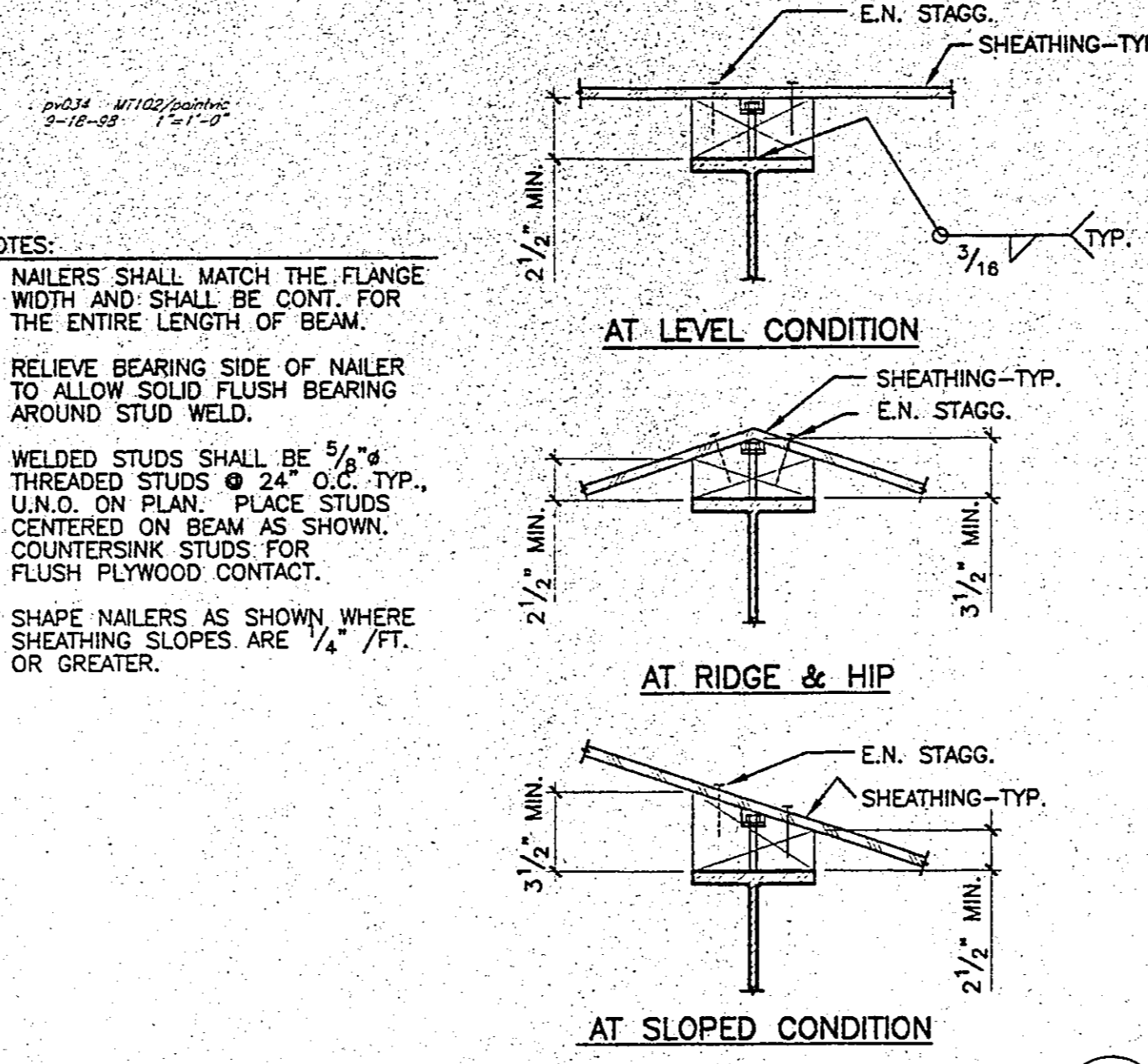
19



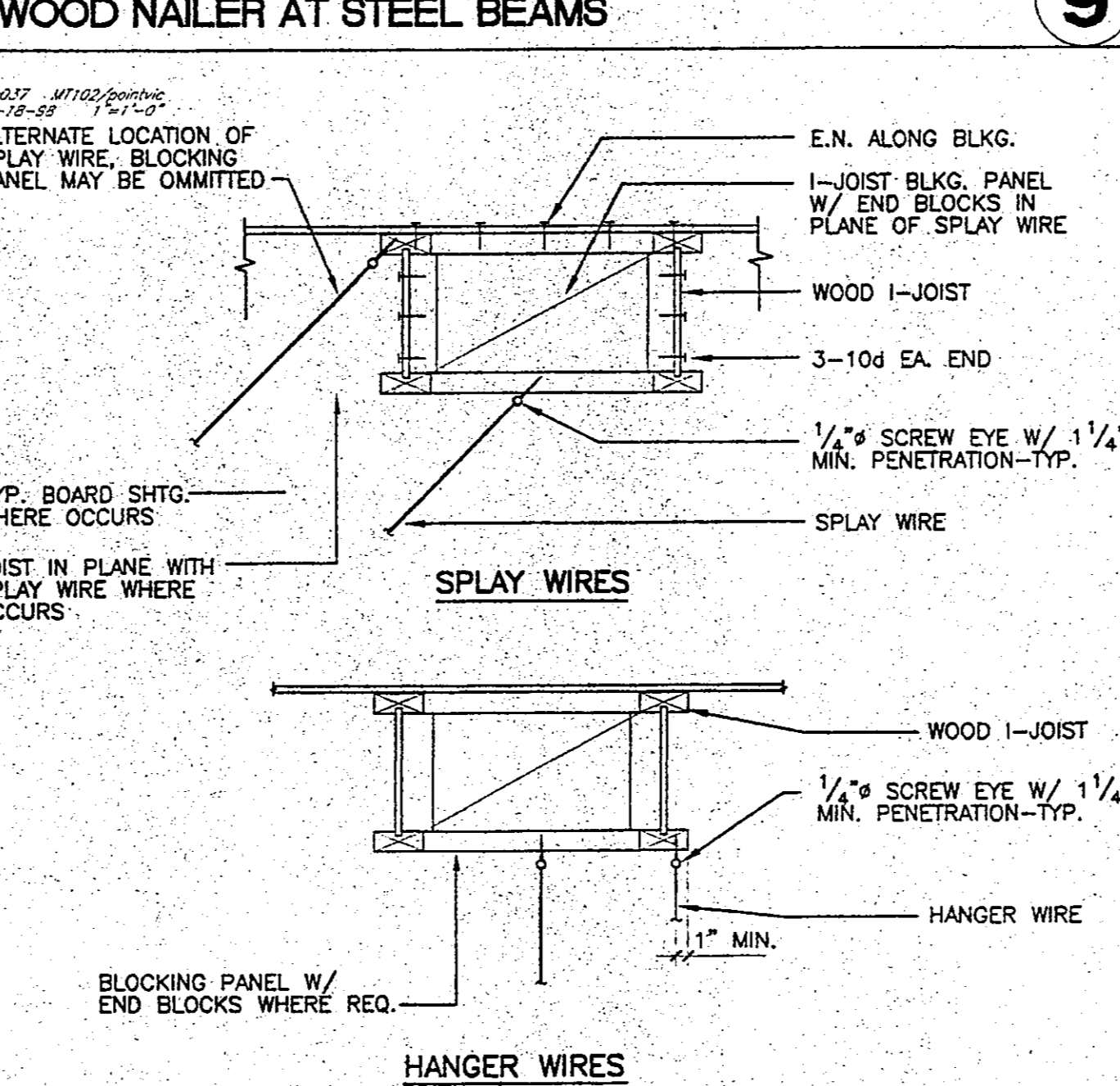
20



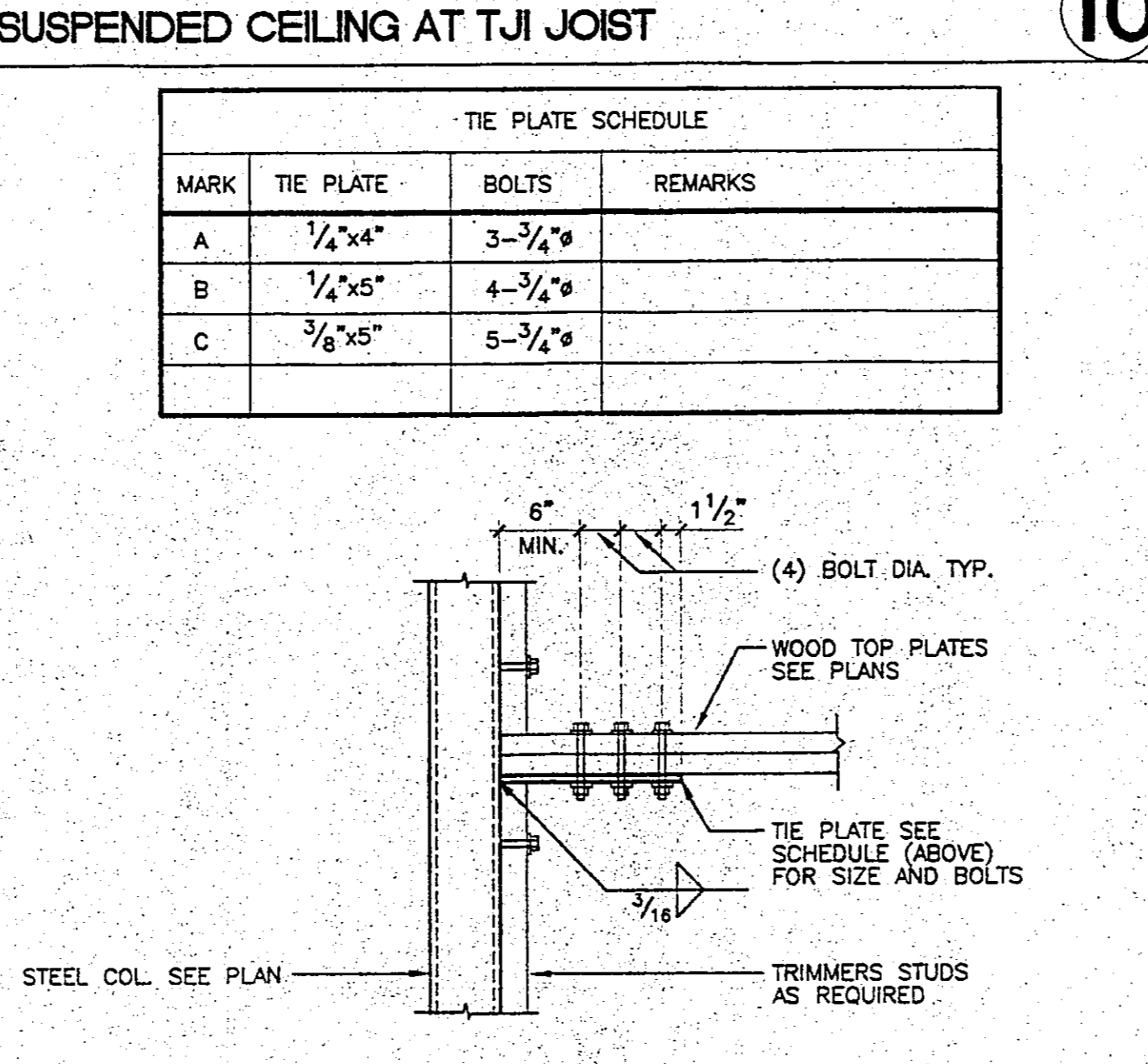
9



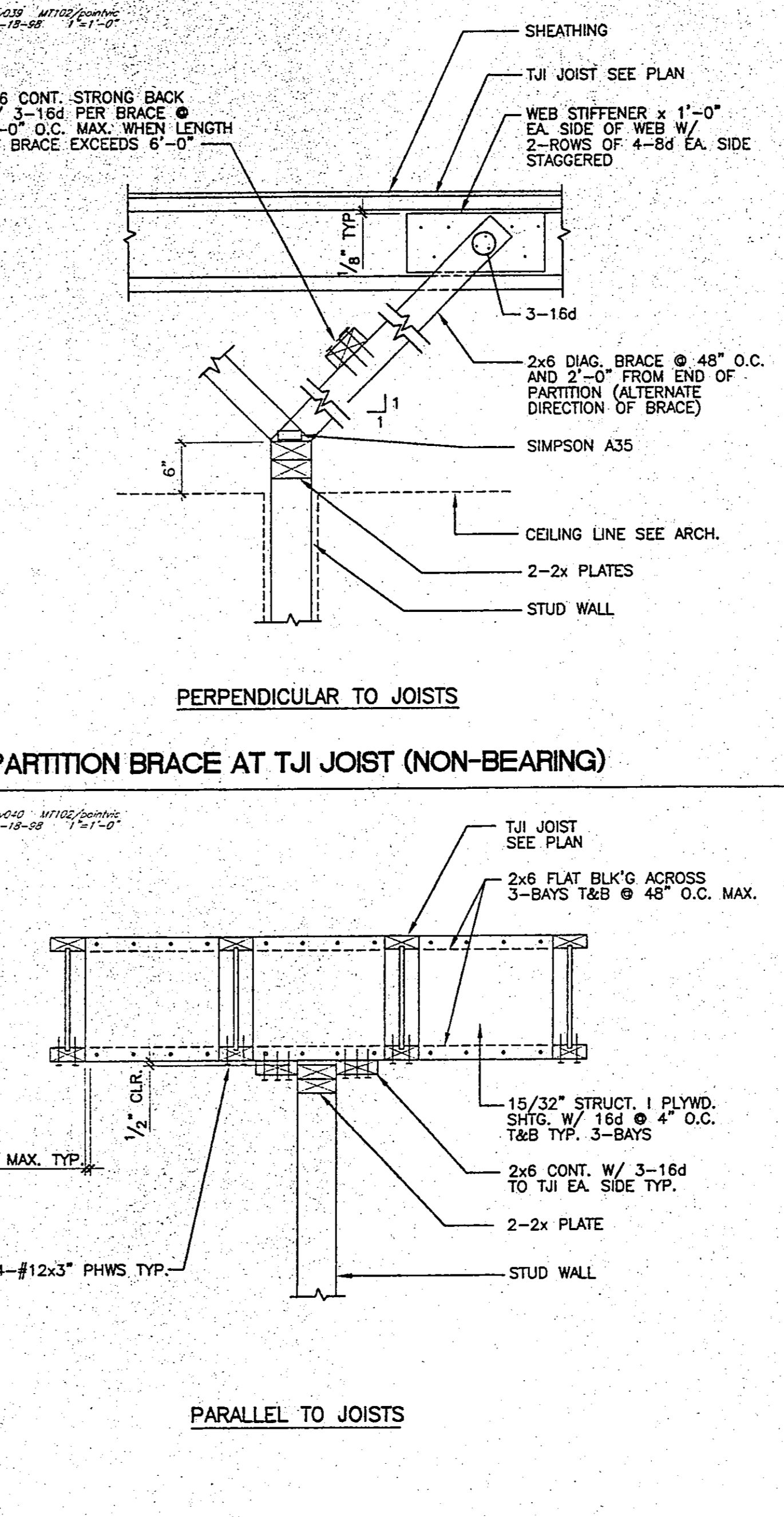
14



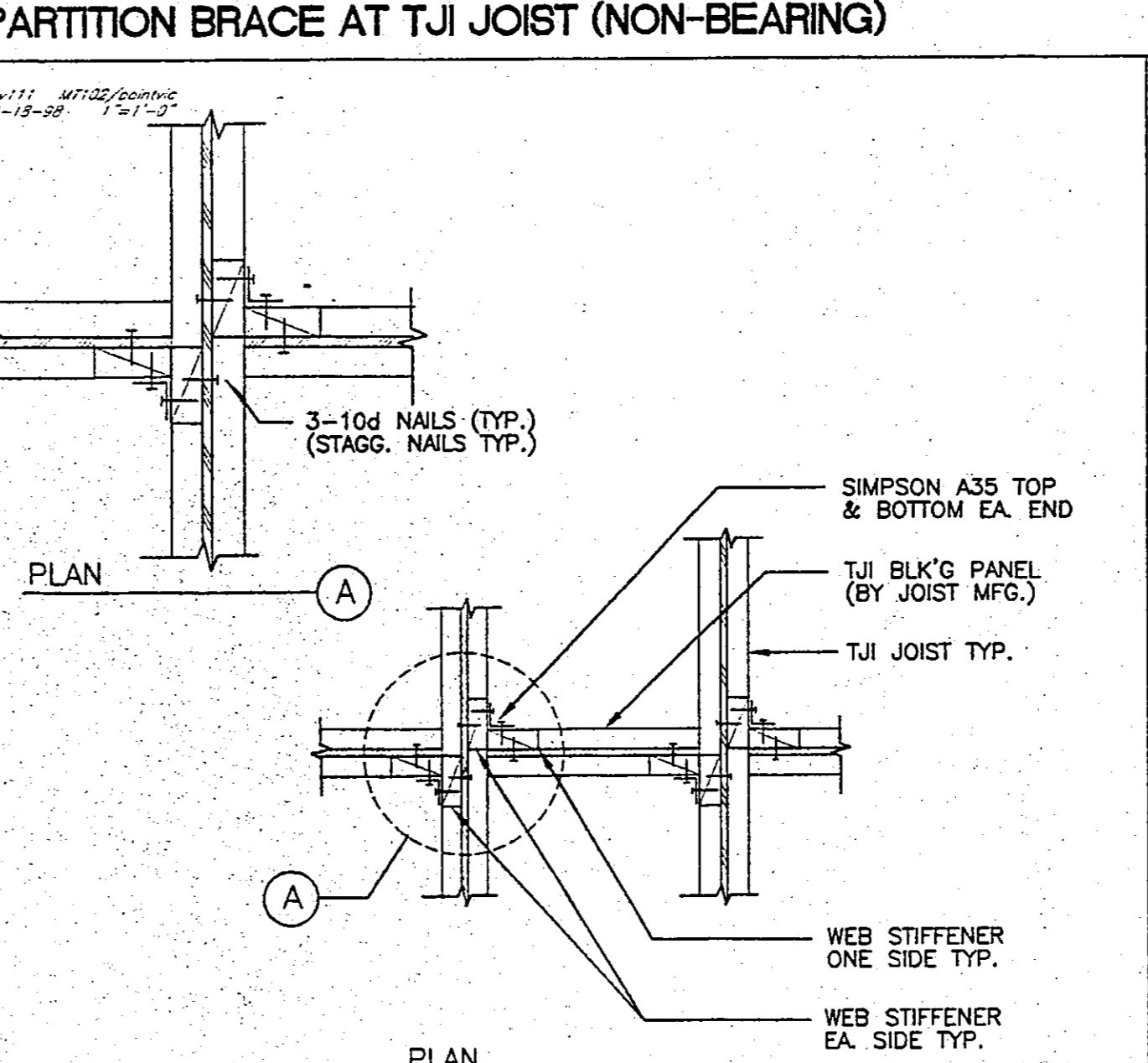
16



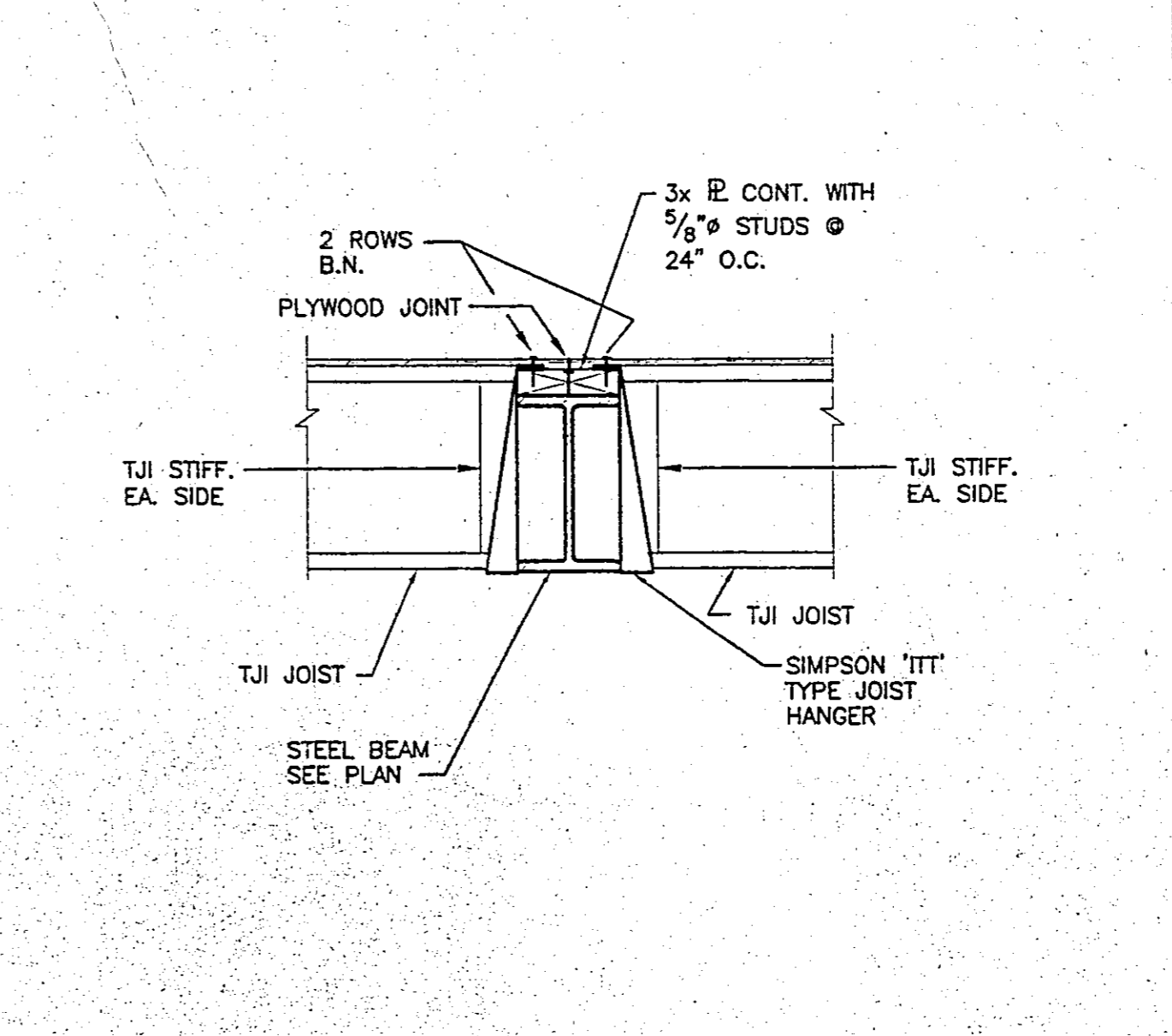
10



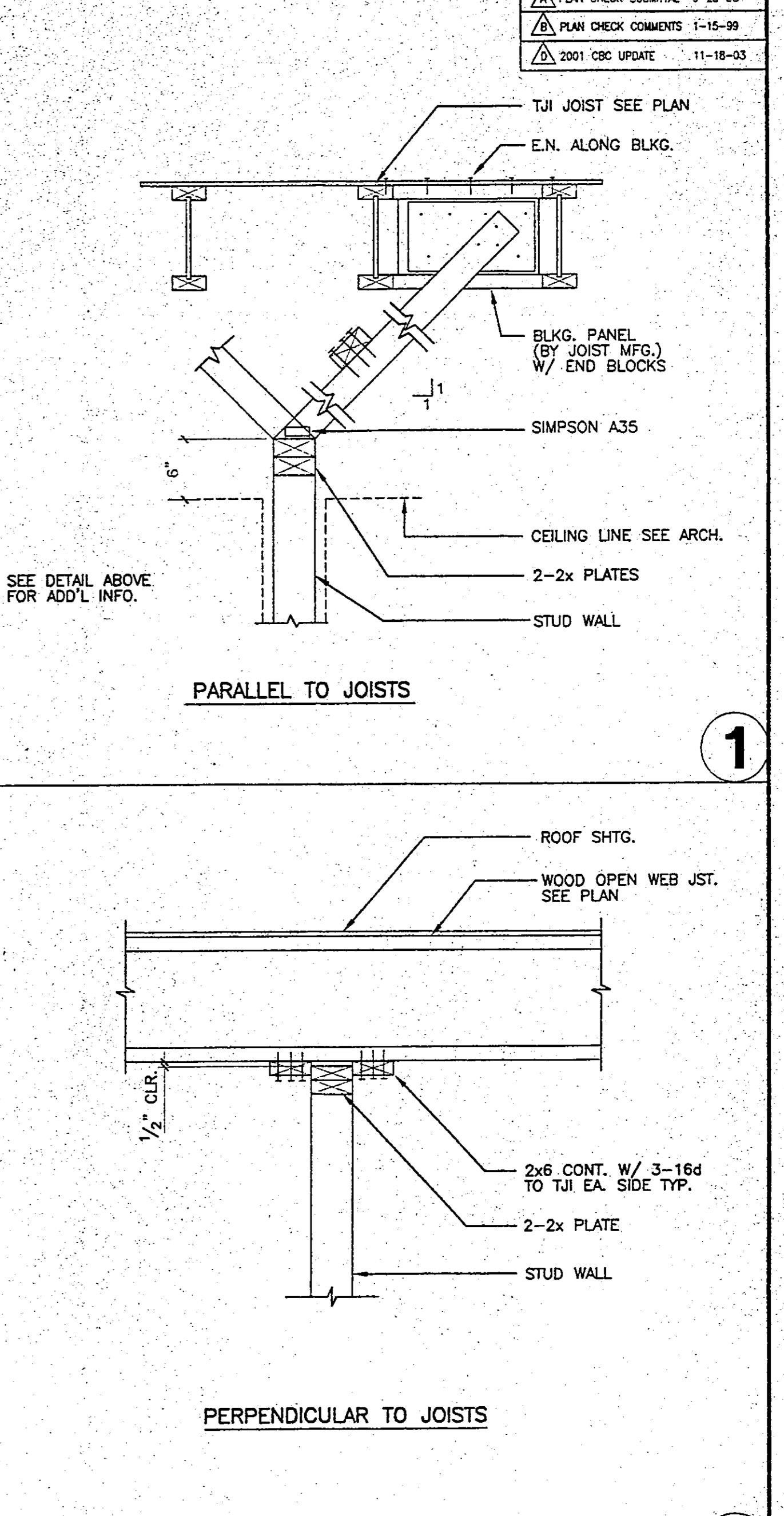
11



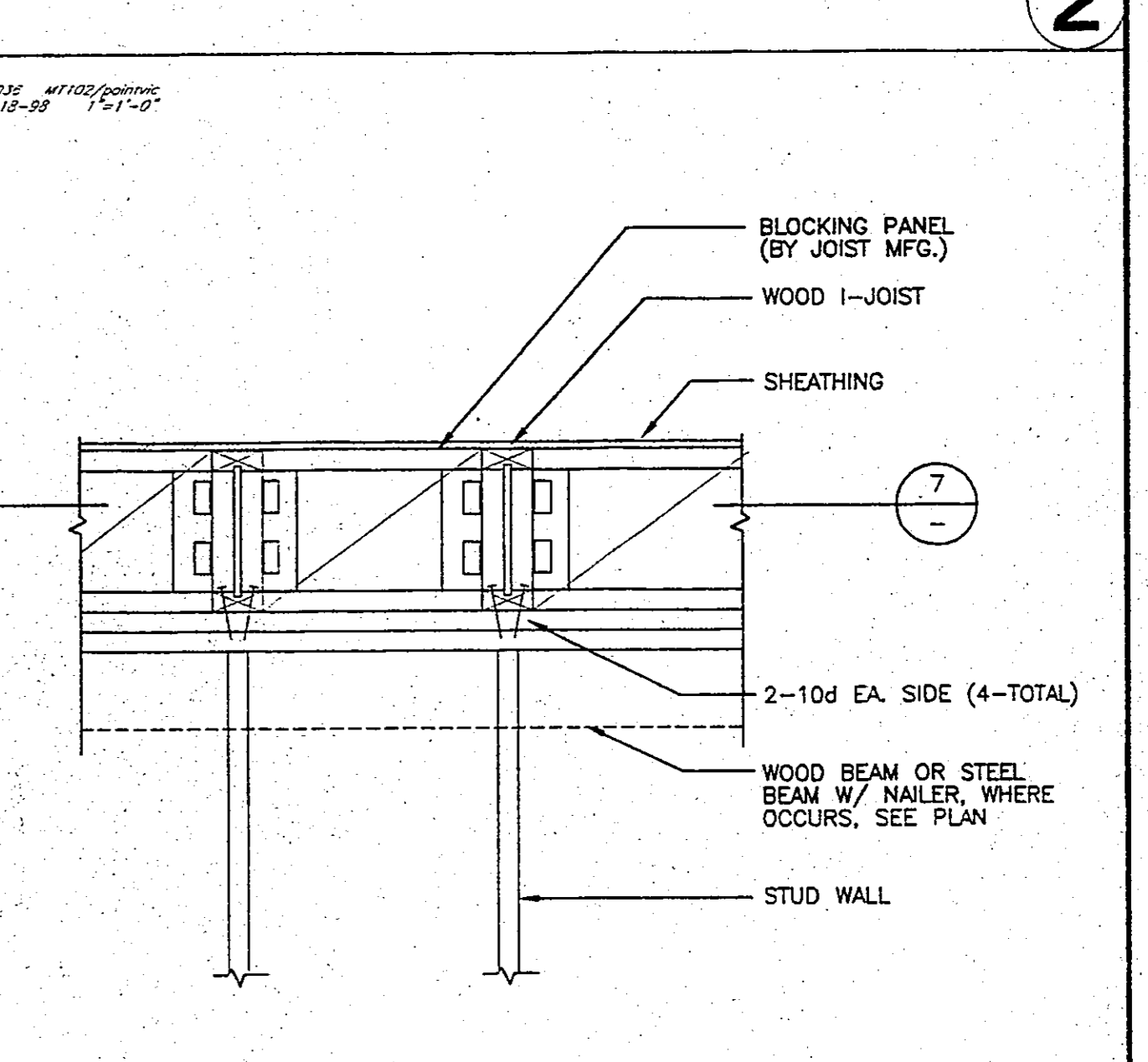
12



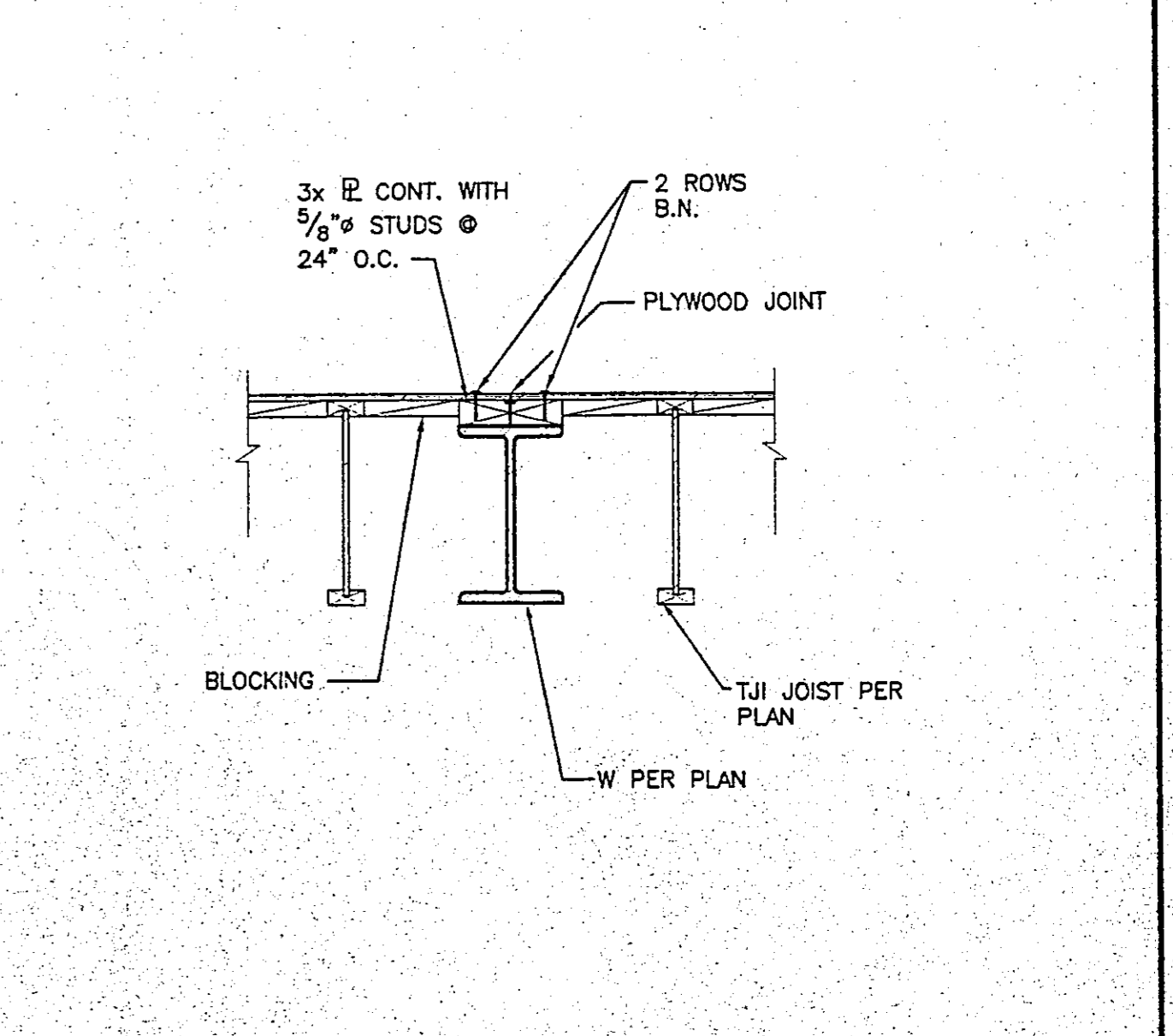
7



15



18



1

2

3

4

WOOD NAILER AT STEEL BEAMS

PARTITION BRACE AT TJI JOIST (NON-BEARING)

SUSPENDED CEILING AT TJI JOIST

PARTITION BRACE AT TJI JOIST (NON-BEARING)

TOP PLATE TIE

TJI BEARING COND. AT PARTITION WALL

TRUSS JOIST TO STEEL BEAM

JOIST PARALLEL TO STEEL BEAM

PLAN CHECK SUBMITAL 9-18-98  
 PLAN CHECK COMMENTS 1-15-99  
 2001 CBC UPDATE 11-18-03

RON YEO, FAIA ARCHITECT, INC.  
 300 COMMERCIAL DRIVE, SUITE 300  
 IRVINE, CALIF. 92610-3000  
 PHONE (714) 734-4242  
 FAX (714) 734-4272

REGISTERED PROFESSIONAL ENGINEER  
 CIVIL ENGINEERING  
 STATE OF CALIFORNIA  
 NO. 1728  
 8/16-30-05

ABS Consulting  
 EOE Structural Engineers Division  
 900 Commerce Drive, Suite 300  
 Irvine, Calif. 92612-3000 USA  
 Phone (714) 734-4242  
 Fax (714) 734-4272

POINT VICENTE INTERPRETIVE  
 CENTER EXPANSION  
 31501 Polos Verdes Drive West  
 Rancho Palos Verdes, CA

TYPICAL  
 DETAILS

DRAWN BY  
 CHECKED BY  
 DATE  
 SCALE  
 NONE  
 JOB NO.  
 2925401  
 SHEET

S1.3  
 35 OF 69 SHEETS

THESE DRAWINGS DO NOT CONTAIN THE NECESSARY COMPONENTS FOR CONSTRUCTION SKETCH