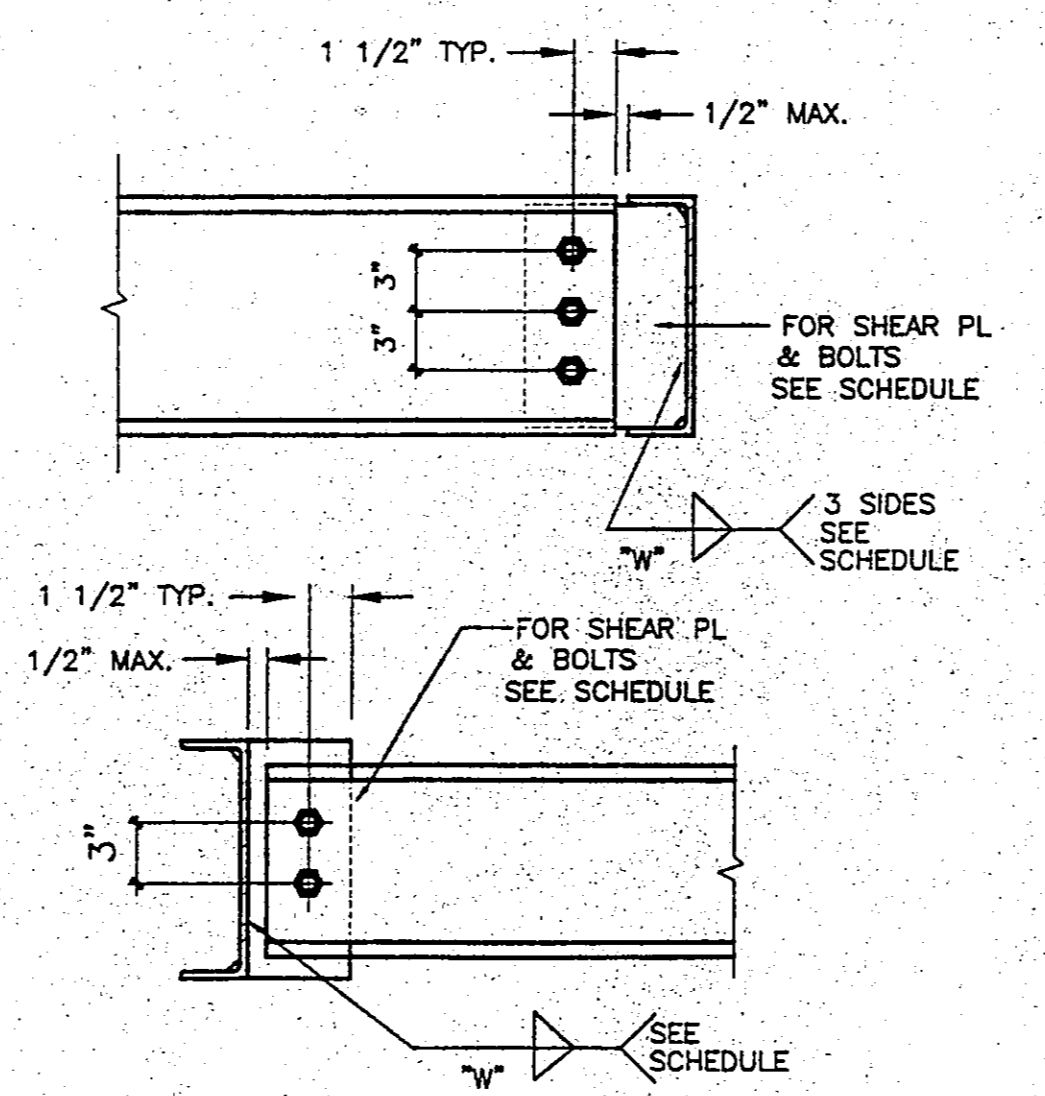


NOTE: 1. FOR SHEAR PL. & BOLTS SEE SCHEDULE

NOTE: 1. FOR SHEAR PL. & BOLTS SEE SCHEDULE
 2. FOR HORIZONTAL OFFSET > 6"
 USE ONE-SIDED BEAM CONNECTIONS

ONE-SIDED BEAM TO BEAM CONNECTION (A)

TWO-SIDED BEAM TO BEAM CONNECTION (B)

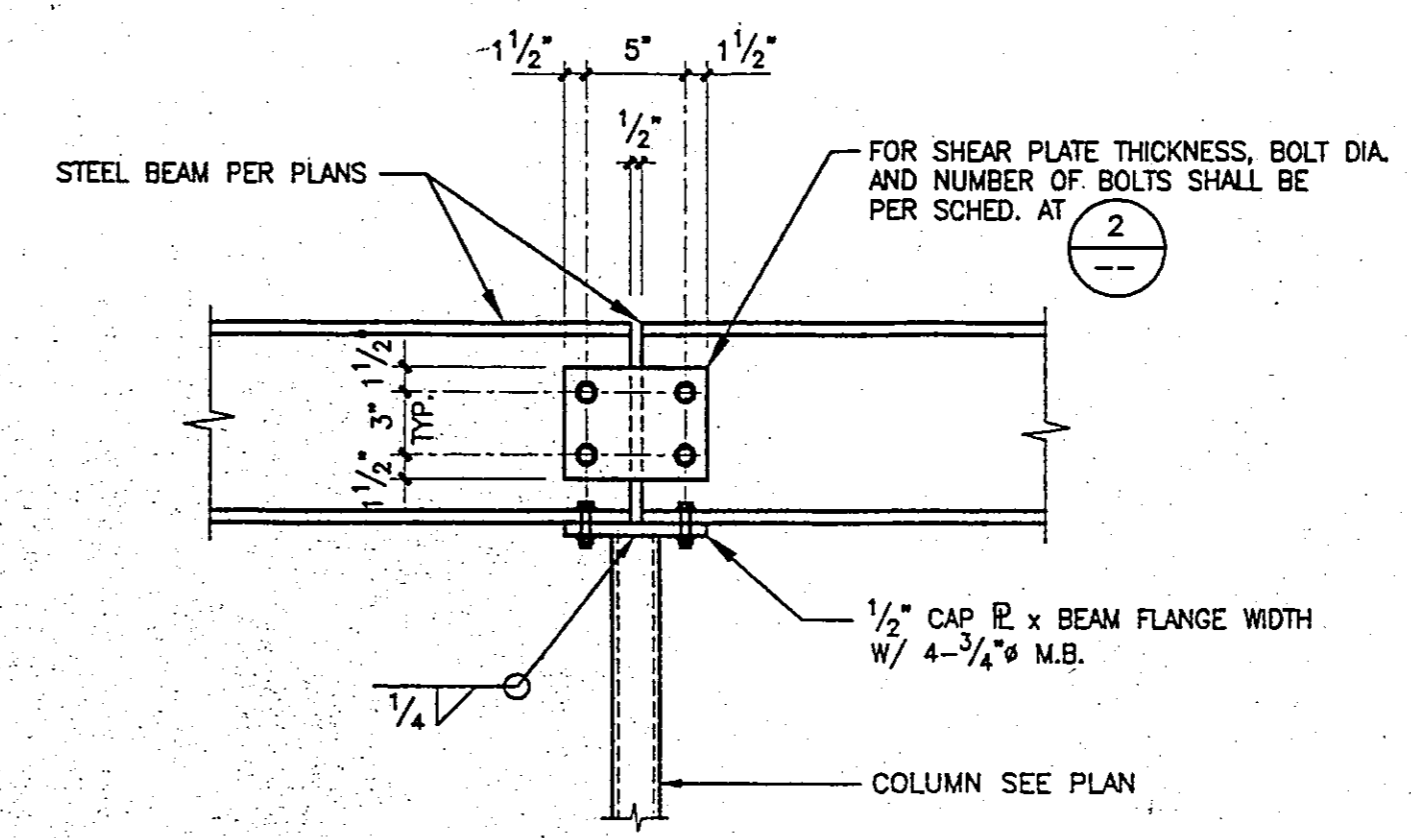


TYP. CHANNEL TO CHANNEL (C)

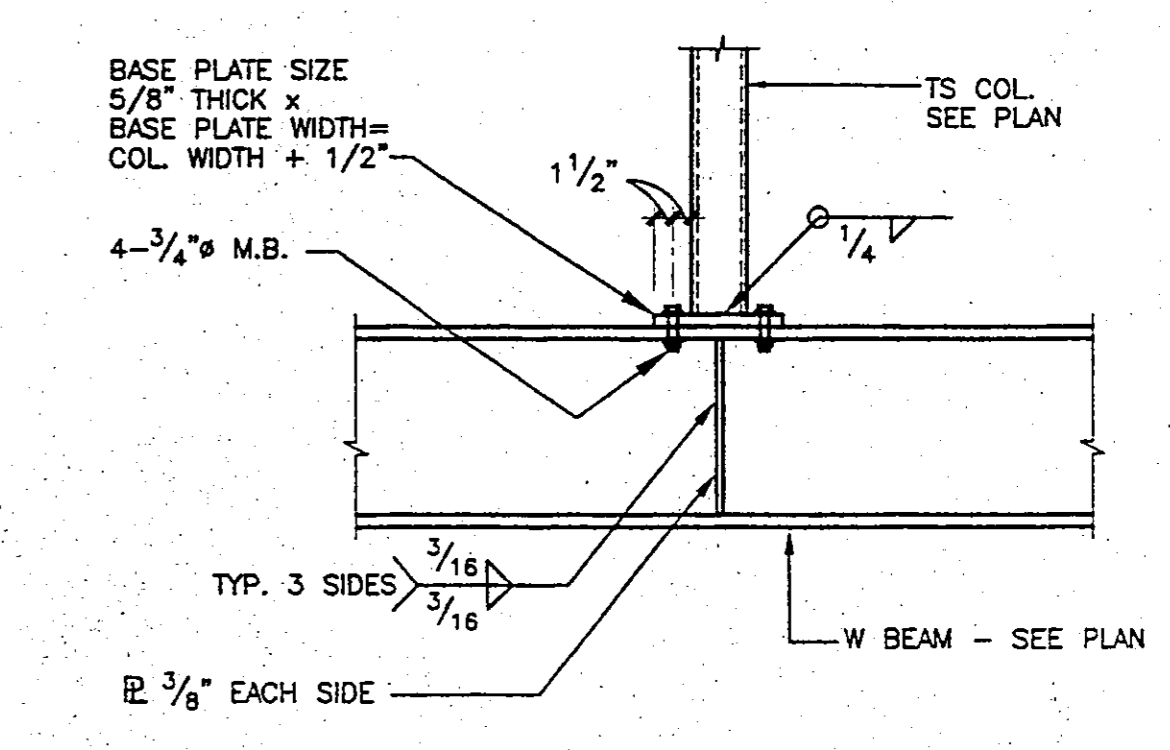
BEAM CONNECTION SCHEDULE (1)					
BEAM DEPTH D1 & D2	SHEAR PL. THICKNESS	WELD "W" (2)	NUMBER OF BOLTS (3) (4)	ASD CONNECTION CAPACITY (KIPS)	LRFD CONNECTION CAPACITY, ϕR_n (KIPS) (5)
C8, C10	1/4"	3/16"	2-7/8" ϕ	11.1 K	19.0 K
C12	1/4"	3/16"	3-7/8" ϕ	22.1 K	37.9 K
W8 TO W10	1/4"	3/16"	2-7/8" ϕ	11.1 K	19.0 K
W12 TO W14	3/8"	3/16"	3-7/8" ϕ	22.1 K	35.1 K
W16	3/8"	1/4"	4-7/8" ϕ	35.4 K	58.5 K
W18	3/8"	1/4"	5-7/8" ϕ	49.1 K	81.6 K
W21	3/8"	1/4"	6-7/8" ϕ	62.7 K	97.9 K
W24	1/2"	1/4"	7-7/8" ϕ	76.4 K	114.0 K
W27	1/2"	1/4"	7-7/8" ϕ	76.4 K	114.0 K
W30	1/2"	1/4"	7-7/8" ϕ	76.4 K	114.0 K
W33	1/2"	1/4"	7-7/8" ϕ	76.4 K	114.0 K
W36	1/2"	1/4"	7-7/8" ϕ	76.4 K	114.0 K

- (1) NUMBER OF BOLTS, SHEAR PL., WELD SIZE & BOLT GRADE TYP. U.N.O. ON PLANS
- (2) WELD SHALL CONFORM WITH A.W.S.
- (3) ALL BOLTS TO BE A325N IN SINGLE SHEAR U.N.O.
- (4) BOLT SPACING TO BE 3"
- (5) CAPACITY BASED ON $\phi = 0.75$
- (6) BEAMS ON GRID LINES INDICATED AS "STRUT" SHALL RECEIVE A325 S.C. BOLTS

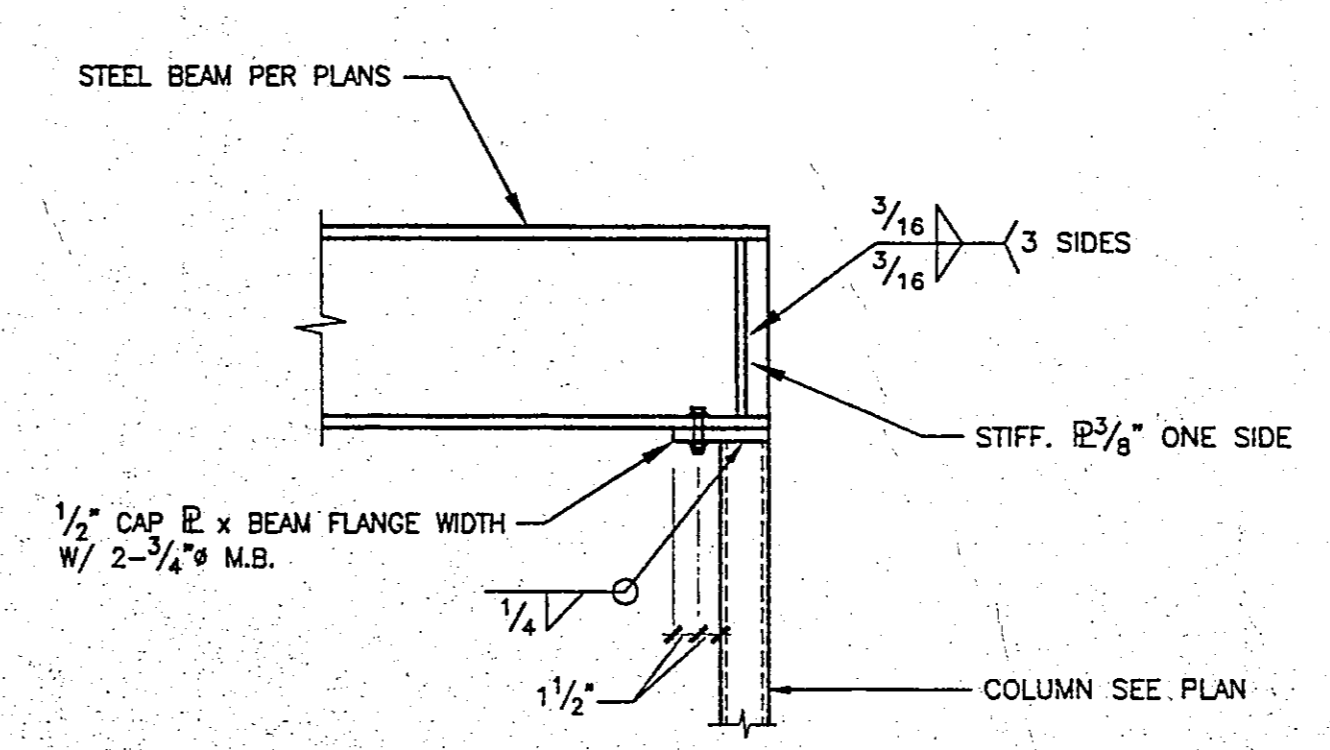
BEAM TO BEAM CONNECTIONS



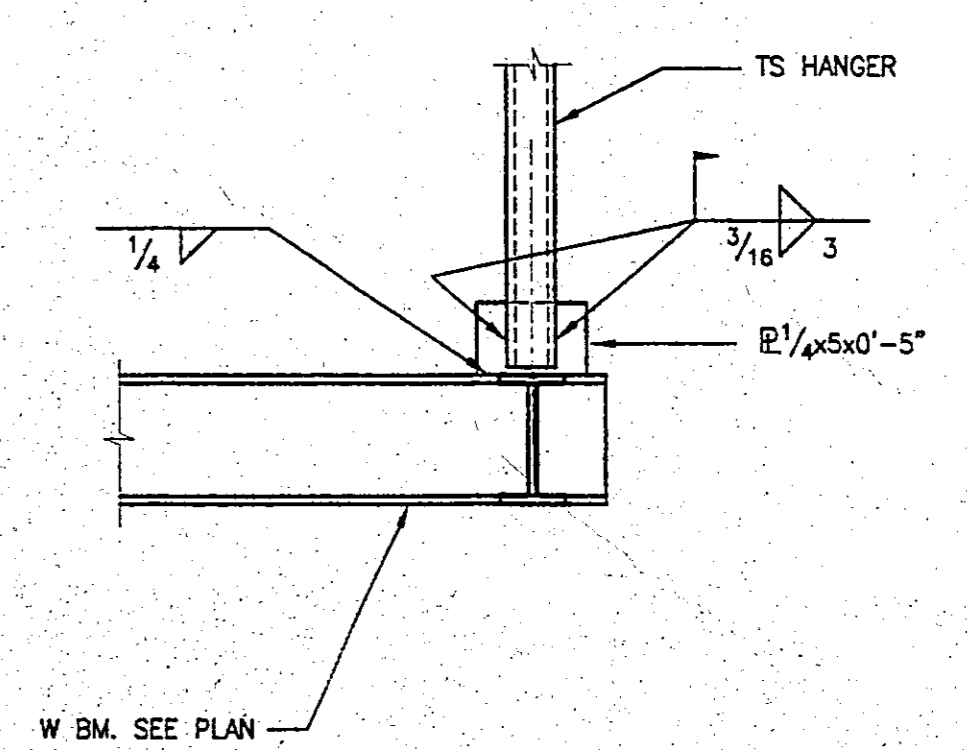
TS COL. TO DBL. WIDE FLANGE BEAMS (11)



PIPE COLUMN CONN. (7)

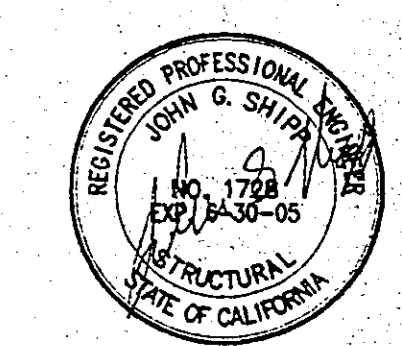


TS COL. TO SINGLE WIDE FLANGE BEAMS (12)



HANGING BEAM CONN. (8)

RON YEO, FAIA ARCHITECT, INC.
 500 JASMINE AVENUE, CORONA DEL MAR
 CALIFORNIA 92625 P:949-644-8111 F:949-644-0449
 PATRICK MARR, AIA, PE, ASSOCIATE ARCHITECT



ABS Consulting
 EOE Structural Engineers Division
 300 Commerce Drive, Suite 300
 Irvine, Calif. 92602-3000 USA
 Phone (714) 794-4242
 Fax (714) 794-4272

POINT VICENTE INTERPRETIVE CENTER EXPANSION
 31501 Palos Verdes Drive West
 Rancho Palos Verdes, CA

TYPICAL DETAILS

DRAWN DW
CHECKED SR
DATE
SCALE 1/4"=1'-0"
JOB. NO. 2003M.01
SHEET

Ron Yeo, Architect Inc. expressly reserves the right to modify or amend these drawings without notice. These drawings are not to be changed or copied in any form or manner, nor are they to be assigned to a third party without the written consent of Ron Yeo, Architect Inc.

SEE DRAWINGS DO NOT OBTAIN THE NECESSARY COMPONENTS FOR CONSTRUCTION SAFETY