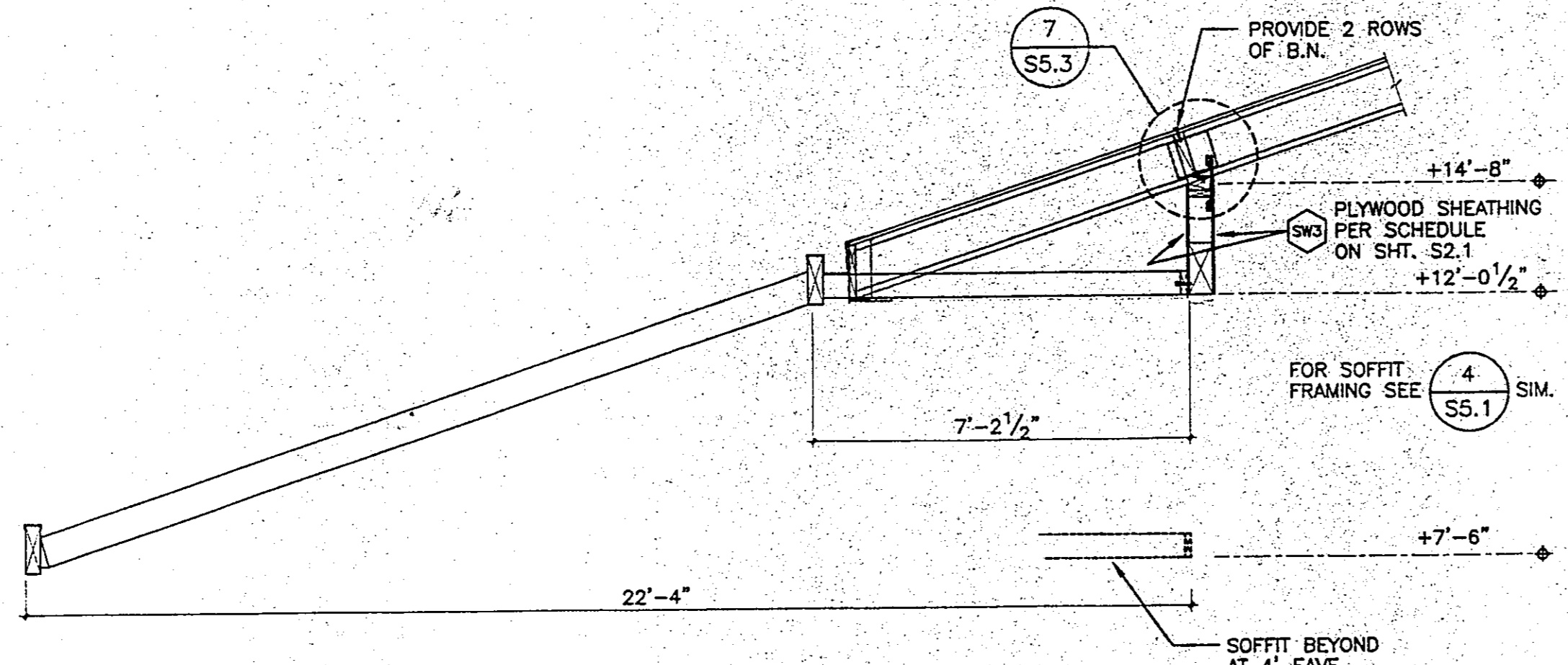


17

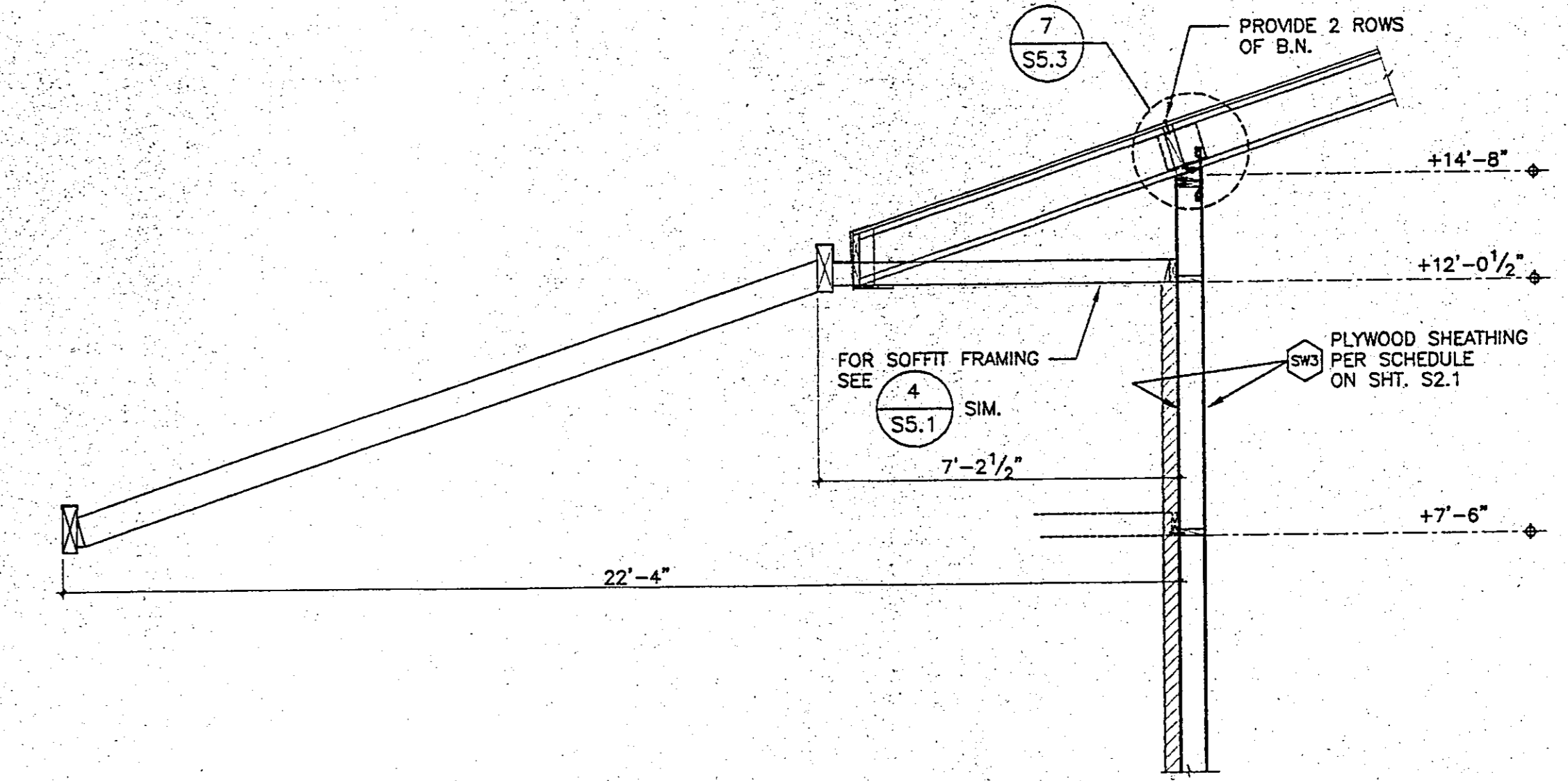
SCALE: 1/2"=1'-0"

PIVOT W/102/PONTAC 4-10-98
3/8"x1'-0"

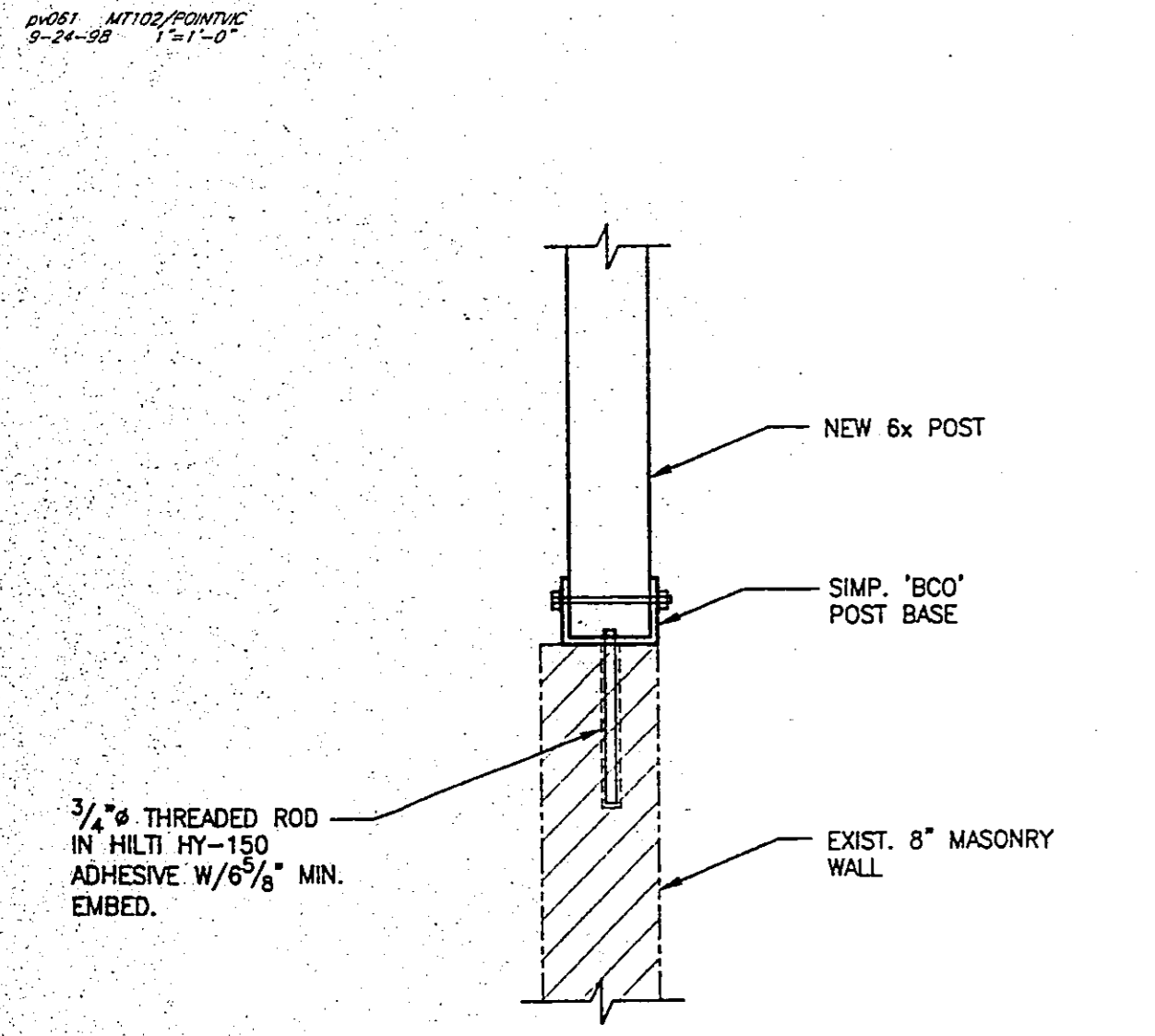


9

SCALE: 3/8"=1'-0"



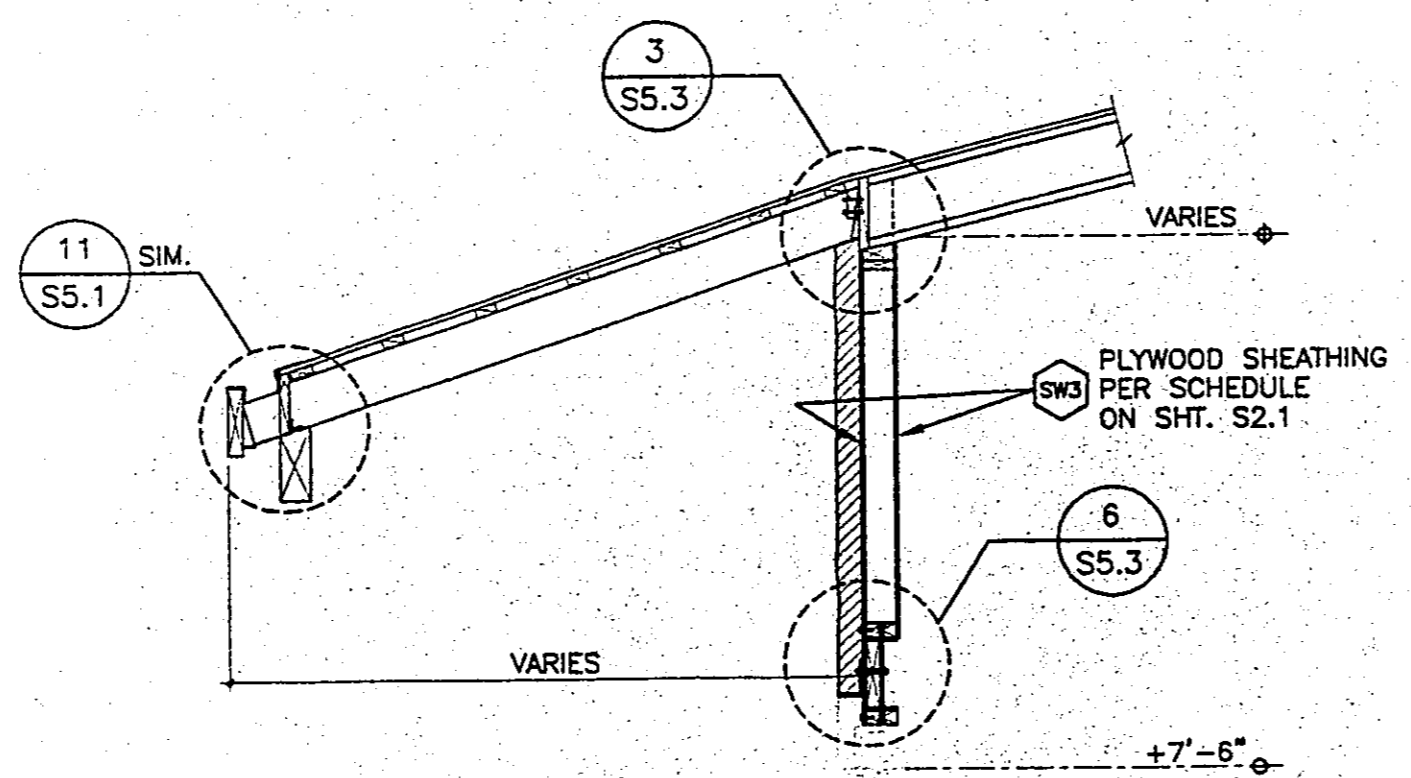
1



18

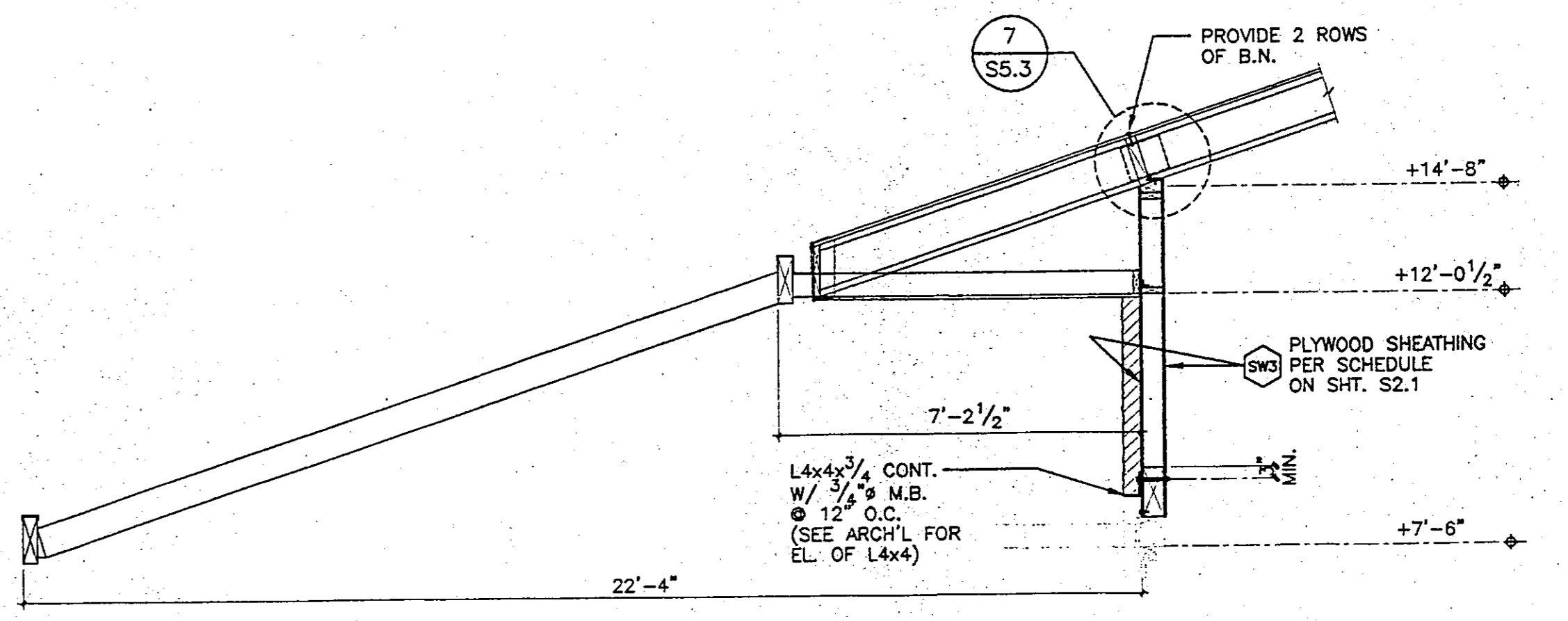
SCALE: 3/8"=1'-0"

PIVOT W/102/PONTAC 4-10-98
3/8"x1'-0"

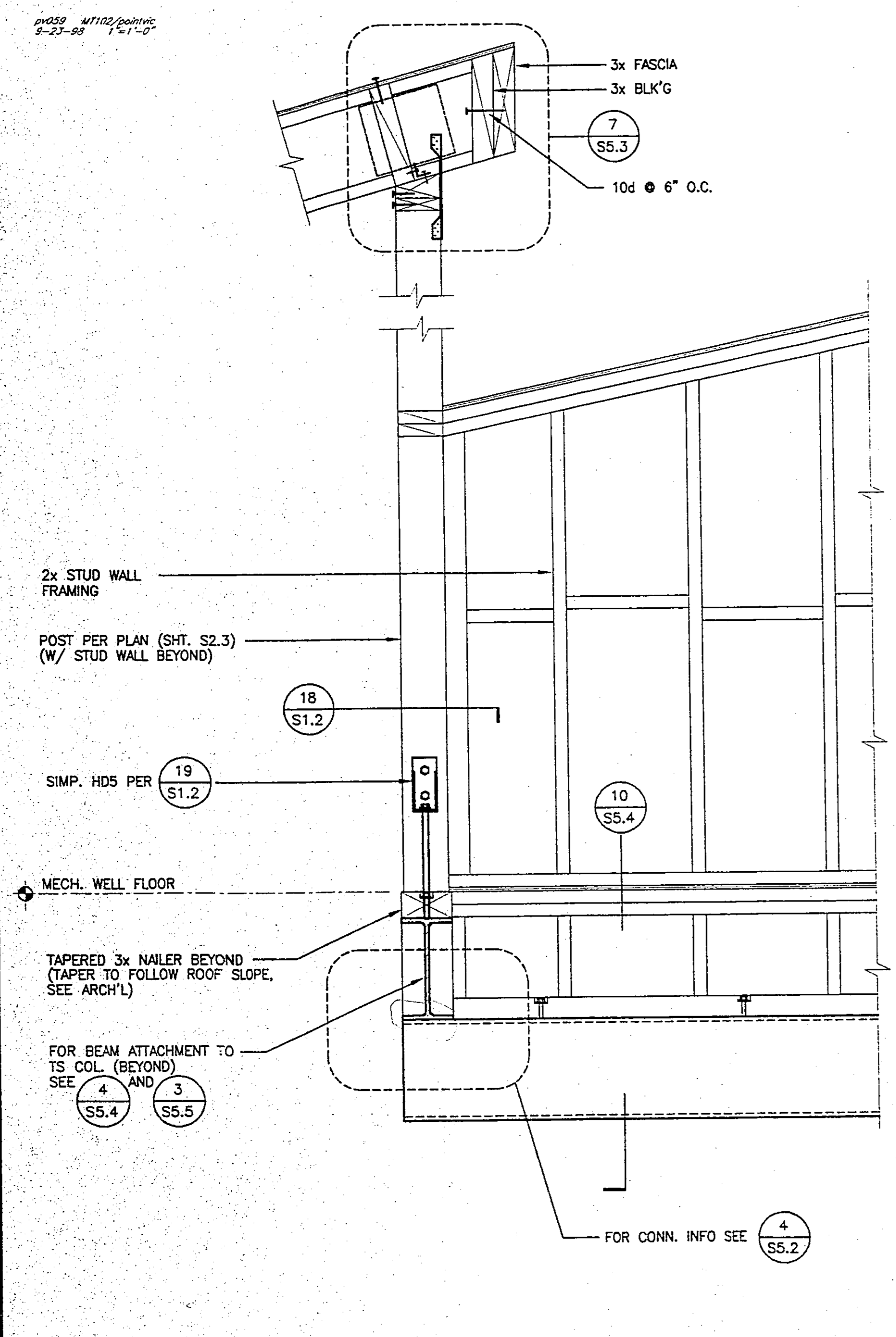


10

SCALE: 3/8"=1'-0"

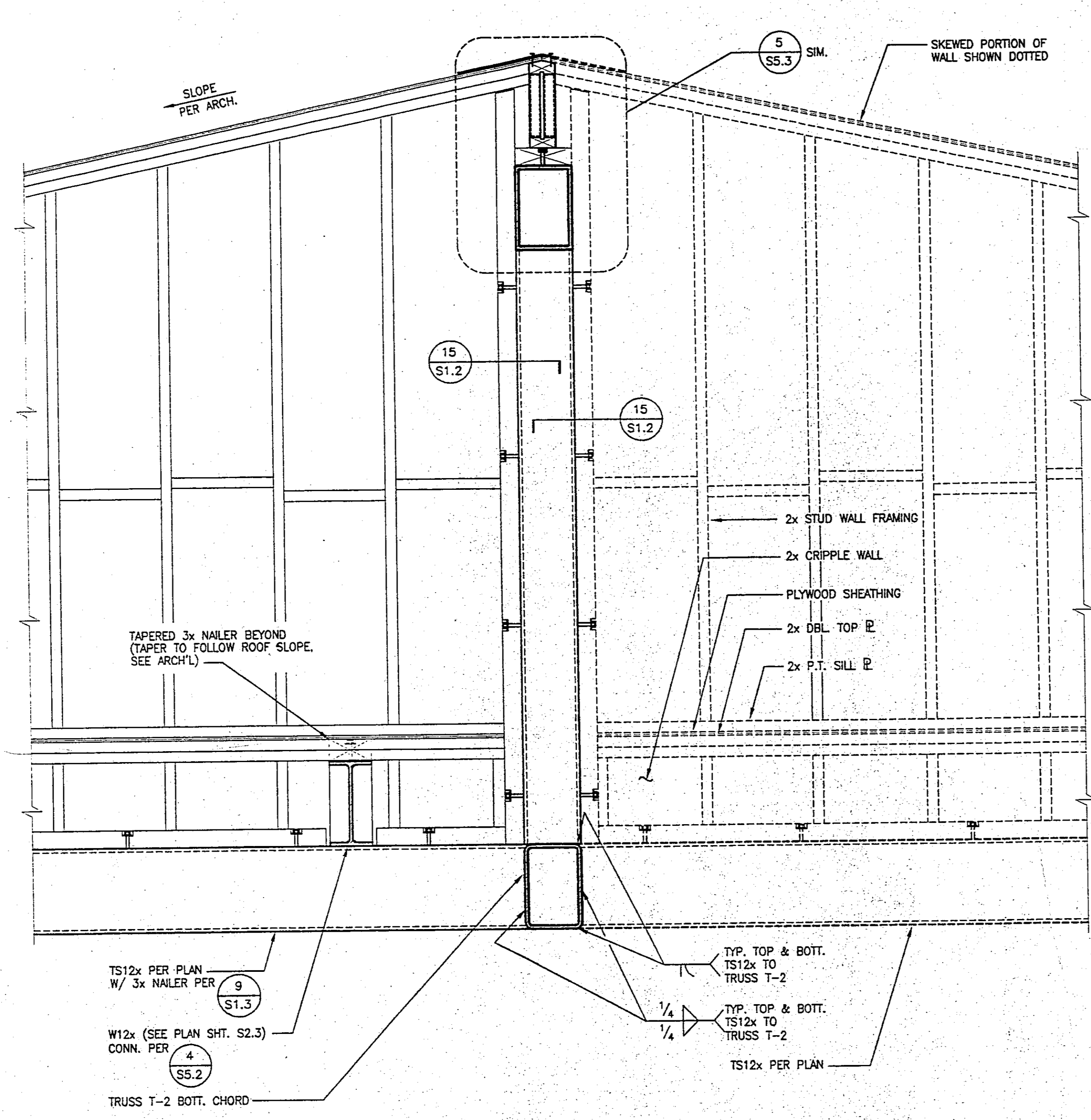


2



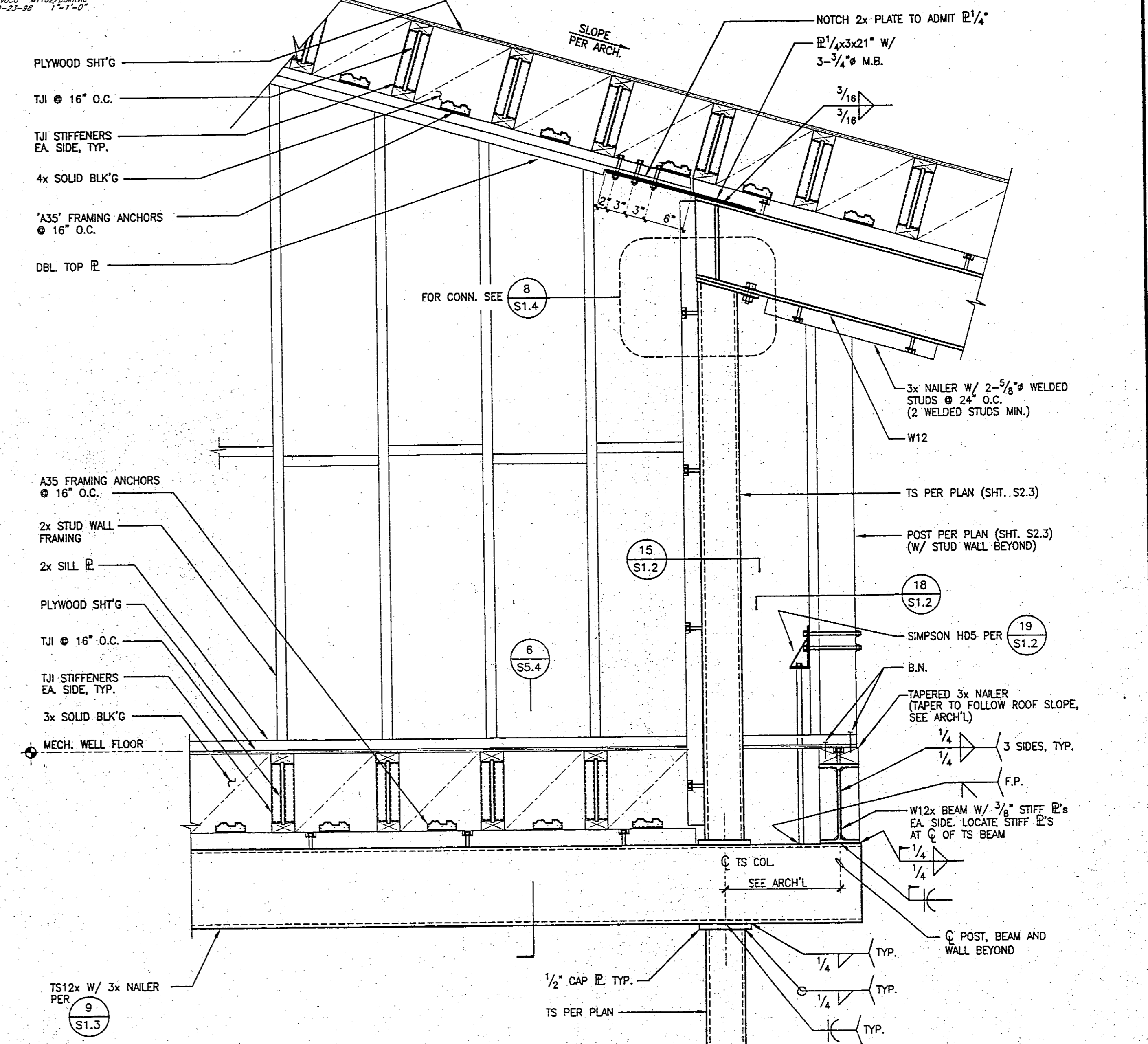
19

SCALE: 1/2"=1'-0"



15

SCALE: 1/2"=1'-0"

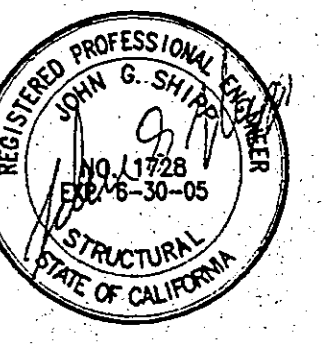


4

SCALE: 1/2"=1'-0"

PLAN CHECK SUBMITAL 9-28-98
PLAN CHECK COMMENTS 1-15-99
2001 CBC UPDATE 11-18-03

RON YEO, FAIA ARCHITECT, INC.
10000 WILLOW OAK DRIVE, SUITE 100
COSTA MESA, CA 92626
PHONE (714) 441-8111 FAX (714) 441-0449
PATRICK MARR, AIA, PE, ASSOCIATE ARCHITECT



ABS Consulting
EOE Structural Engineers Division
300 Commerce Drive, Suite 300
Irvine, Calif. 92602-8000 USA
Phone (714) 794-4942 Fax (714) 794-4972

POINT VICENTE INTERPRETIVE CENTER EXPANSION
Rancho Palos Verdes, CA
31501 Palos Verdes Drive West

ROOF FRAMING SECTIONS AND DETAILS

DRAWN	DW
CHECKED	SM
DATE	
SCALE	AS SHOWN
JOB. NO.	25534M
SHEET	

S5.2
49 OF 69 SHEETS

common law copyright for these plans. These plans are not to be changed or copied in any way without the written consent of Ron Yeo, Architect, Inc.

THESE DRAWINGS DO NOT CONTAIN THE NECESSARY COMMENTS FOR CONSTRUCTION SAFETY