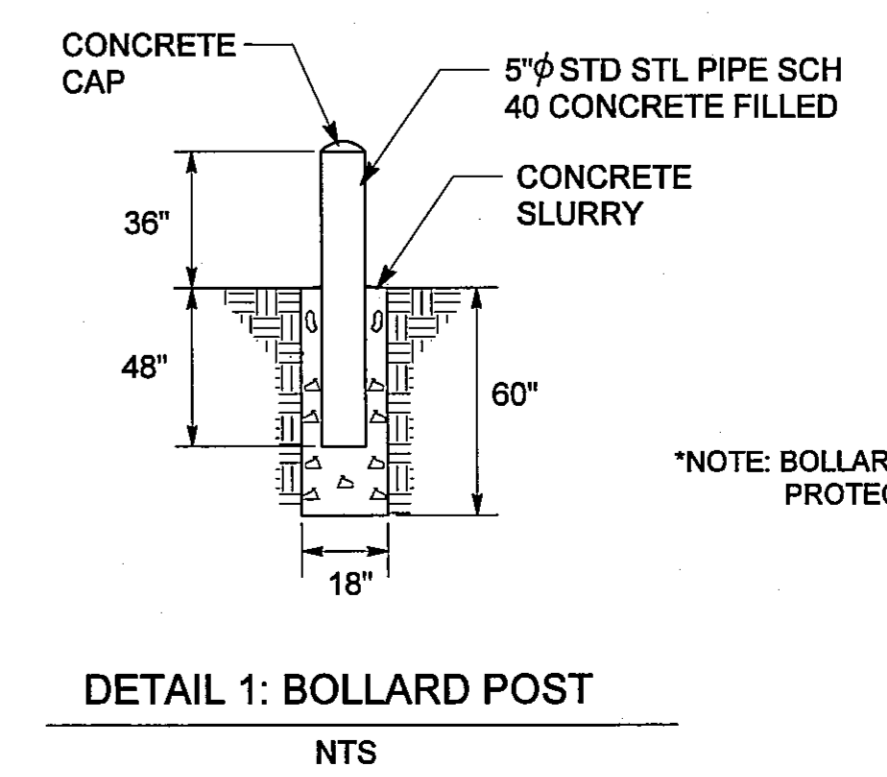
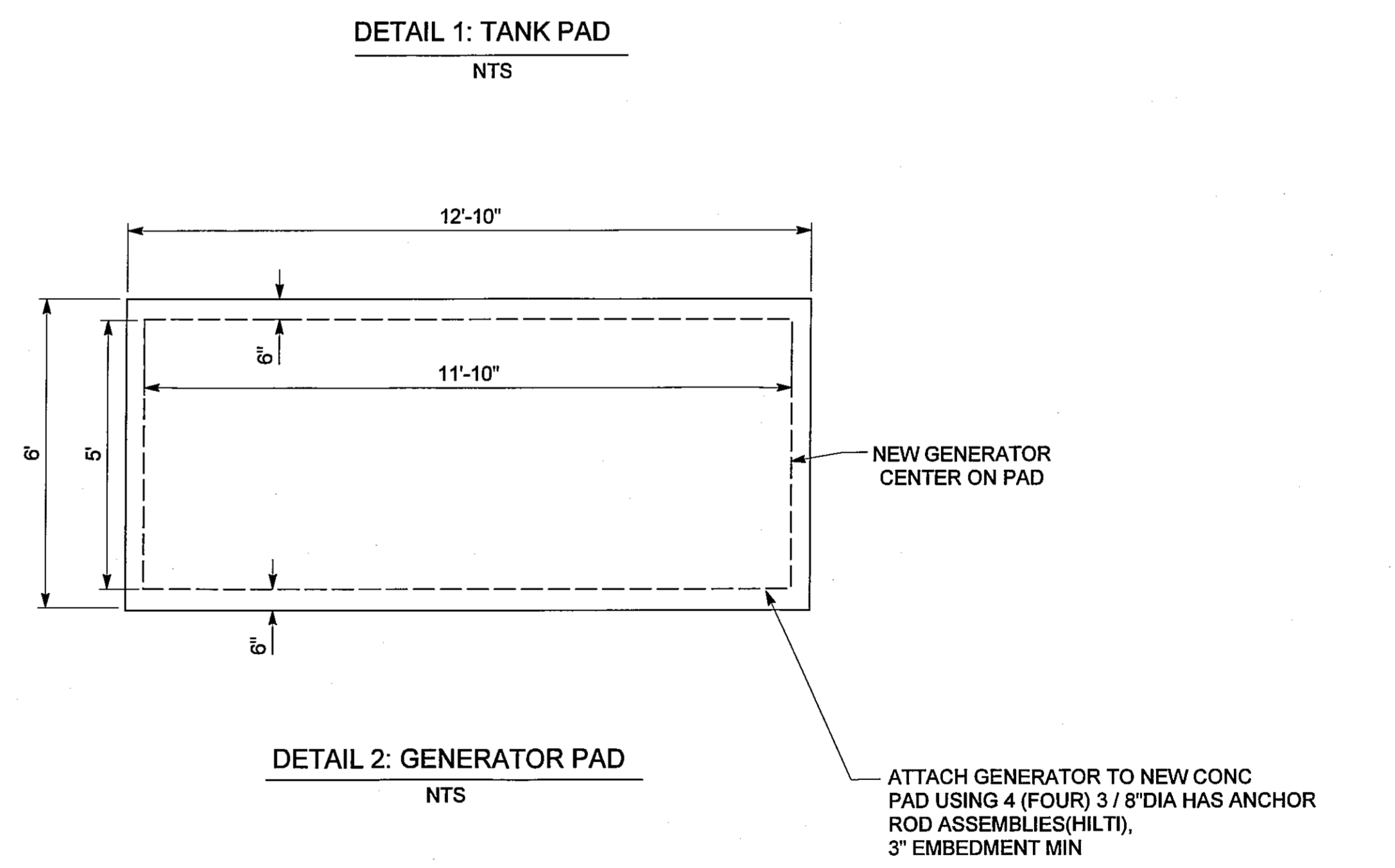
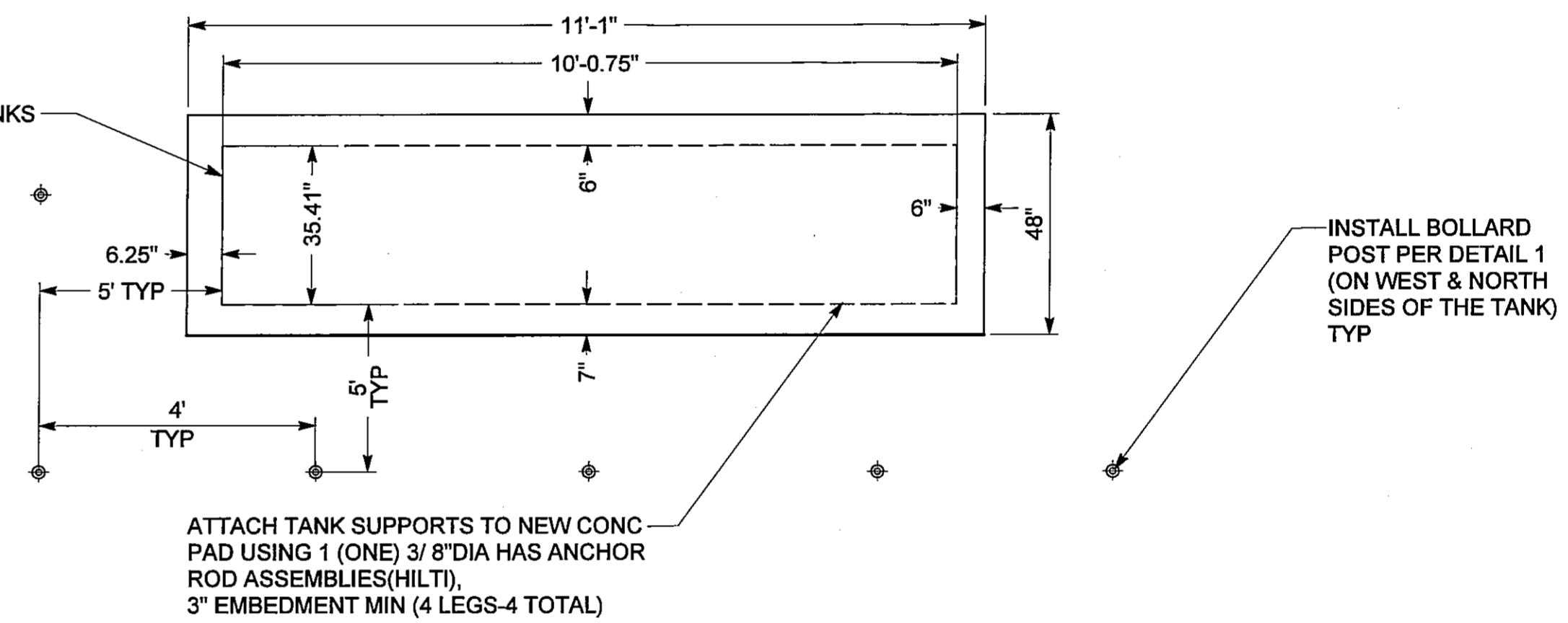
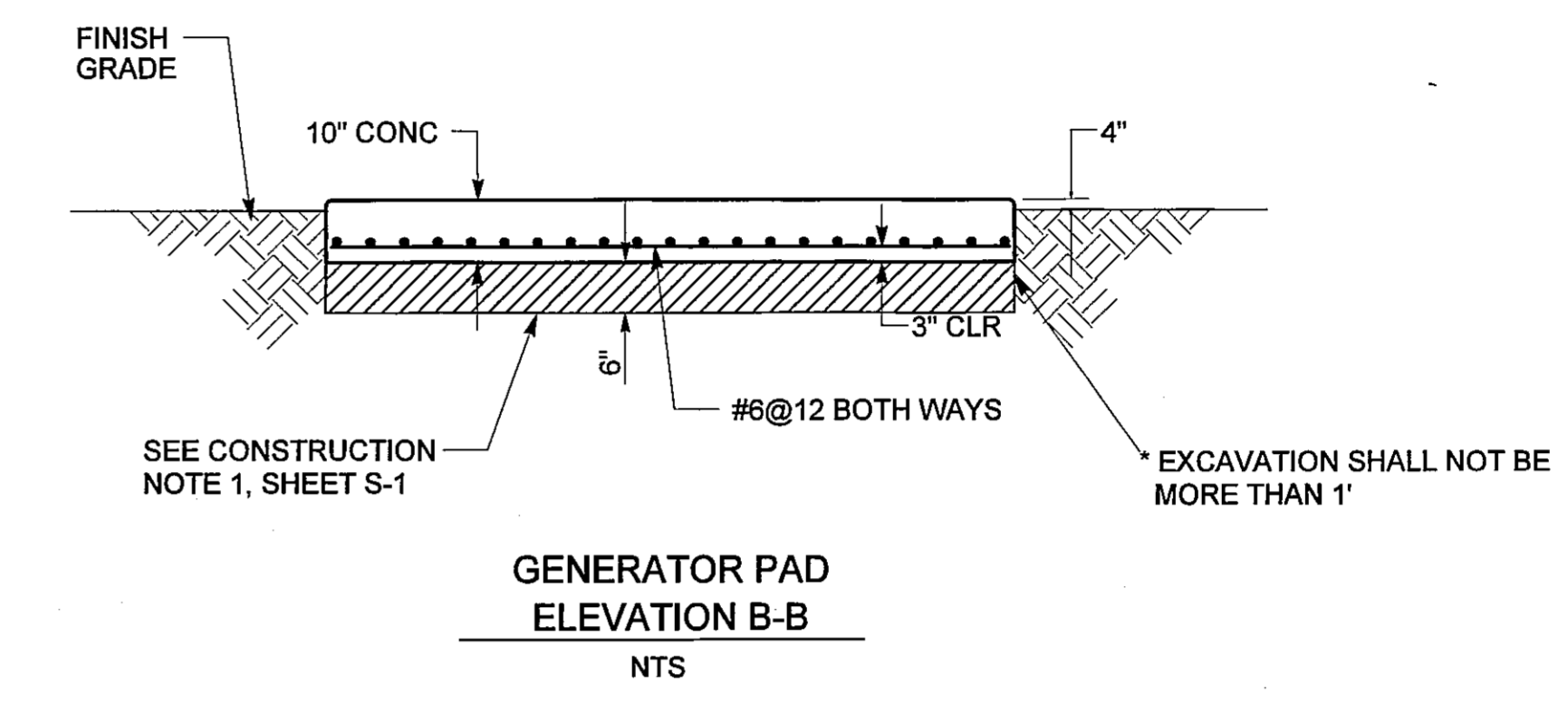
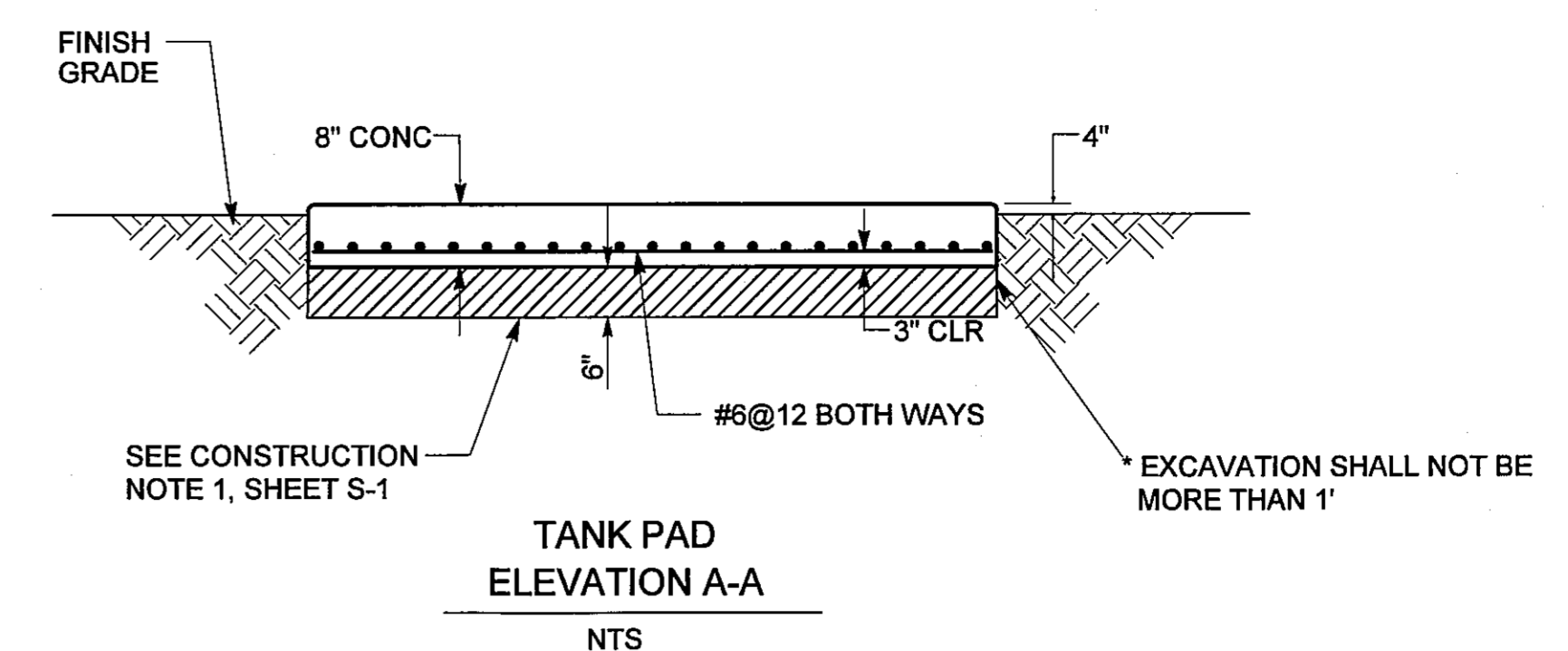
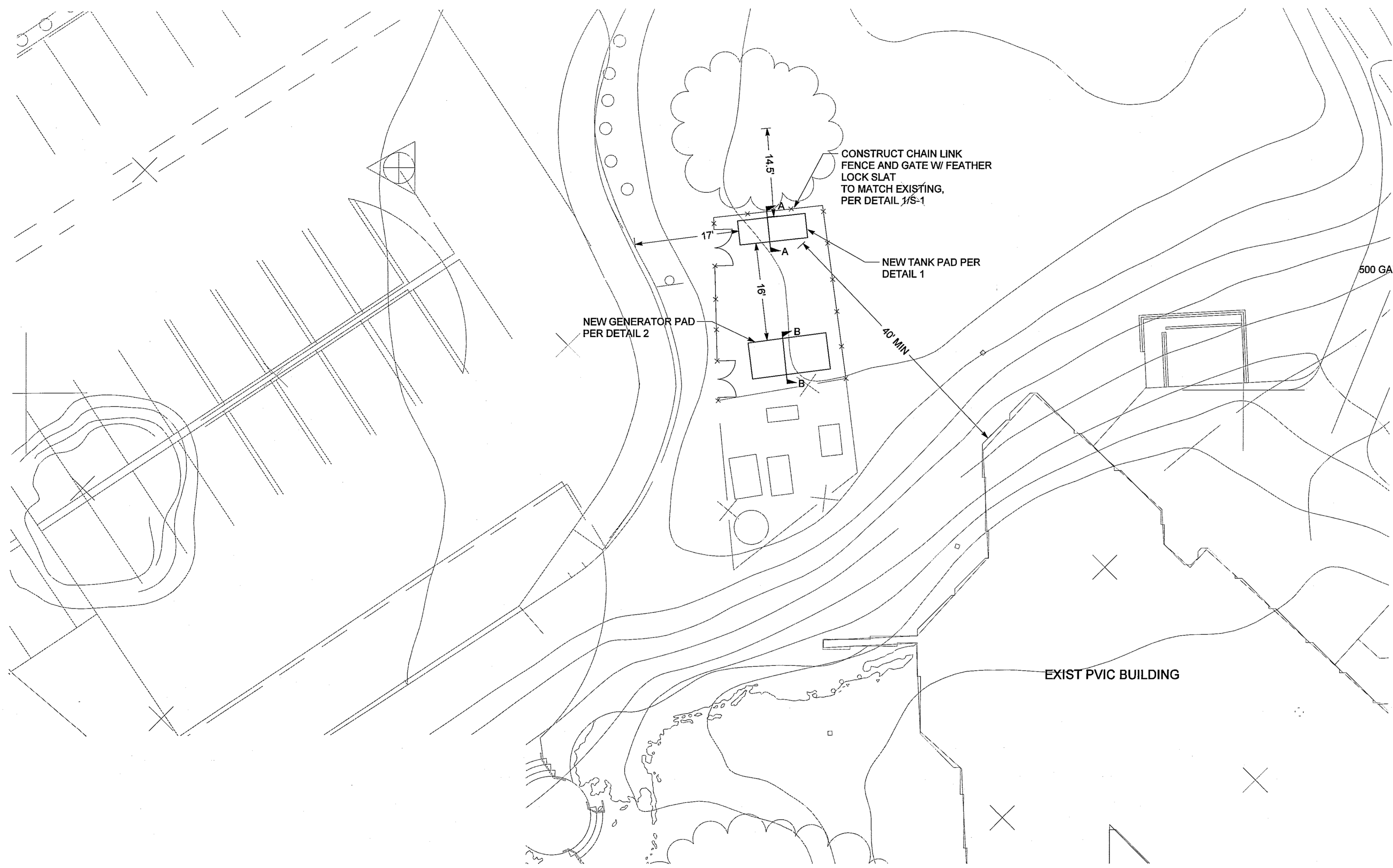
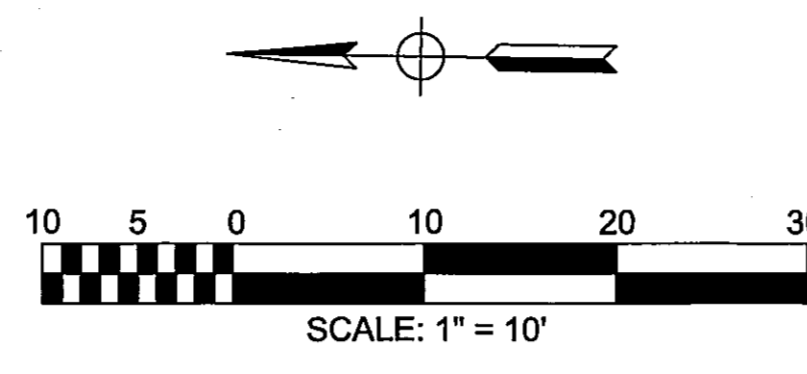


PROJECT NO. SHEET SIZE: 24" X 36" I. LEVEL, SUB. CIV. STAGES: 1 2 3 4 5 6 7 8 9 10 11 12 13 14 15 16 17 18 19 20 21 22 23 24 25 26 27 28 29 30 31 32 33 34 35 36 37 38 39 40 41 42 43 44 45 46 47 48 49 50 51 52 53 54 55 56 57 58 59 60 61 62 63 64 65 66 67 68 69 70 71 72 73 74 75 76 77 78 79 80 81 82 83 84 85 86 87 88 89 90 91 92 93 94 95 96 97 98 99 100



\*NOTE: BOLLARDS IF NEEDED WILL BE INSTALLED PER NATIONAL FIRE PROTECTION ASSOCIATION/FIRE DEPARTMENT REQUIREMENTS

	NO.	REVISIONS:	BY:	DATE:
<b>JMC<sup>2</sup></b> John M. Cristobal, Civil Engineer, Inc. 411 N Harbor Blvd, Suite 201 San Pedro, CA 90731 P: 310.241.6550 F: 310.240.5871 www.jmc2.com				
<b>PROJECT TITLE</b> PVC AND HESSE PARK EMERGENCY GENERATORS PVC: 31501 PALOS VERDES DRIVE WEST, RPV, CA HESSE PARK: 29301 HAWTHORNE BLVD, RPV, CA <b>SHEET TITLE</b> PVC: GENERATOR AND PROPANE TANK SLAB PLAN				
PROJECT NO. 20090030.00 SCALE 1/4" = 1' DATE 11-22-10 DESIGNED BY FS DRAWN BY FS CHECKED BY JMC SHEET NO.				
<b>S-2</b> 2 OF 3 SHTS				