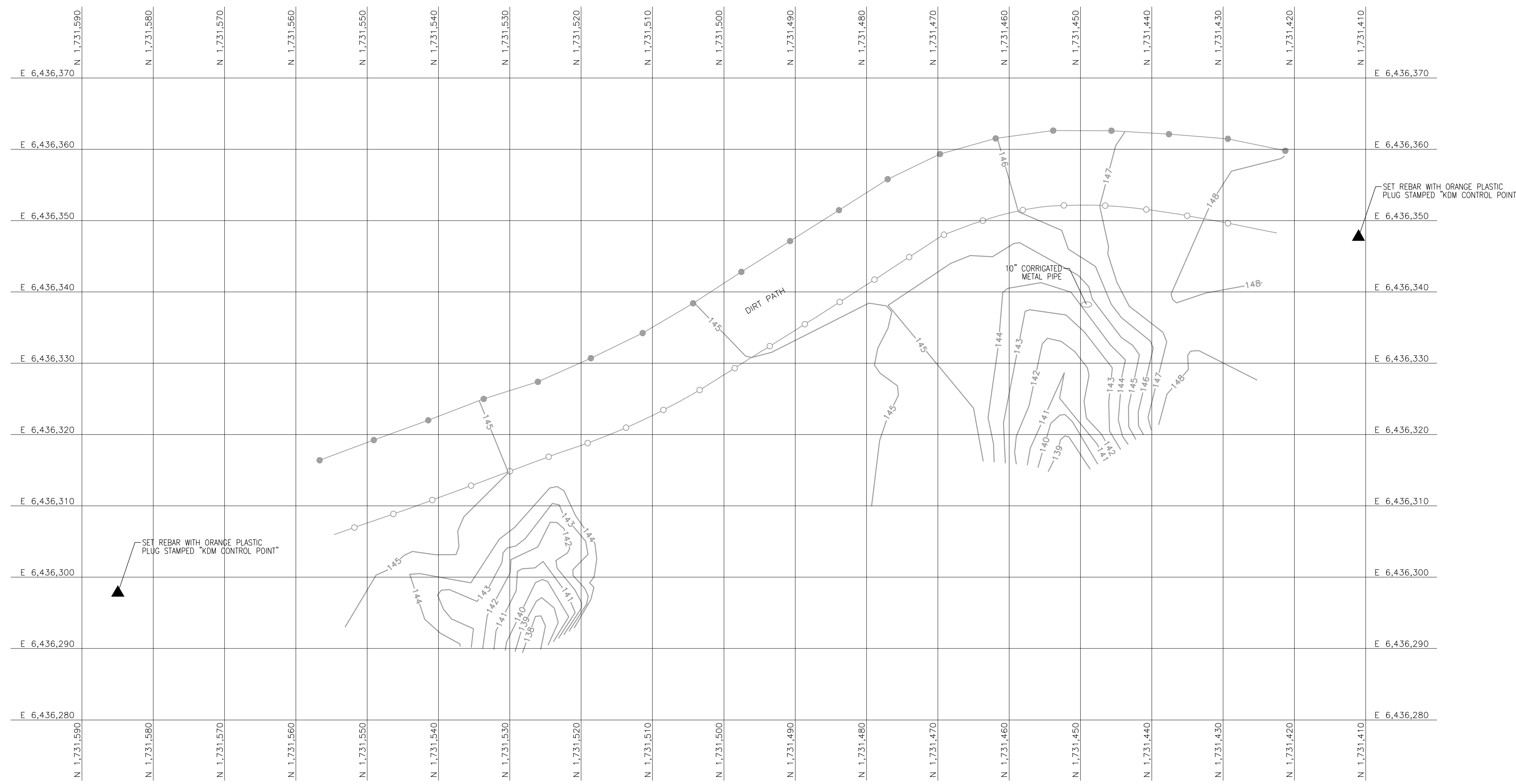
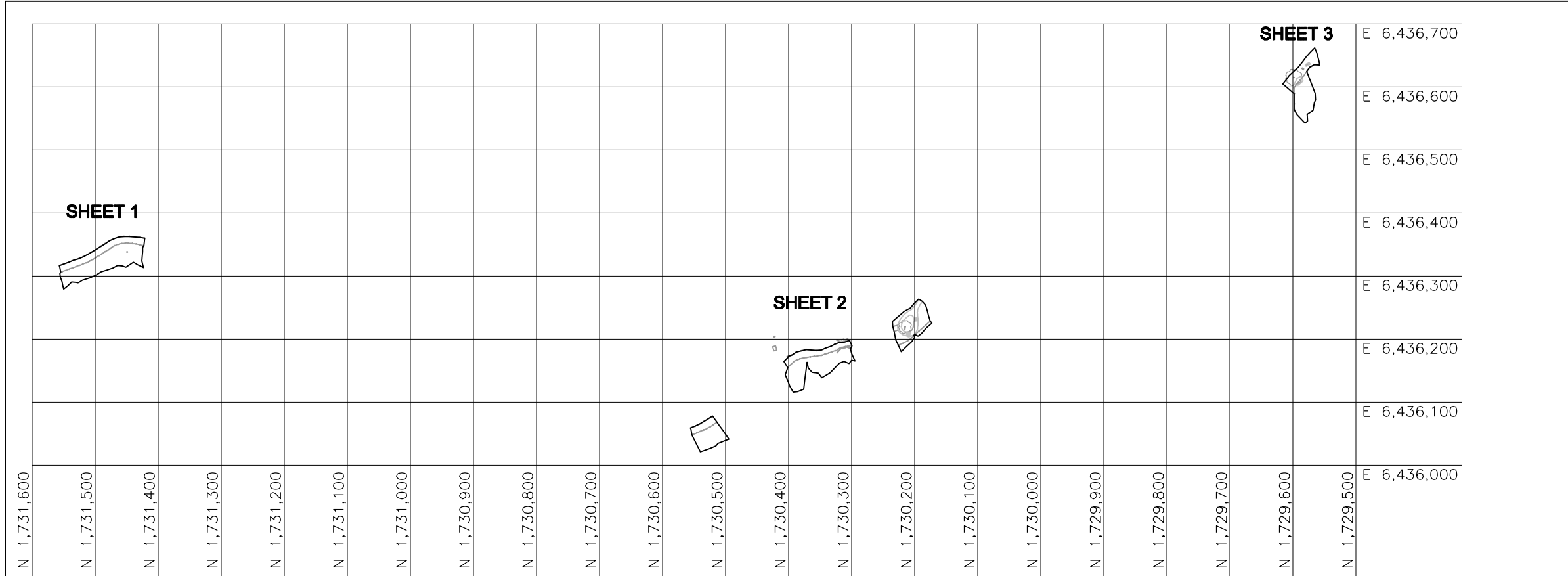


SHEET KEY



SURVEY LEGEND

- ☉ STORM DRAIN MANHOLE
- ☆ LIGHT POST
- ⊗ IRRIGATION CONTROL VALVE
- TREE
- METAL HAND RAIL
- WOOD FENCE WITH ROUND WOOD POST
- METAL FENCE WITH SQUARE WOOD POST
- CONCRETE WALL
- WOOD WALL

DATUM STATEMENT

ELEVATIONS

VERTICAL DATUM: DERIVED COH88 (GEOID 2009)  
 BENCH MARK: PVE3  
 ELEVATION: 71,744 METERS WITH PUBLISHED CSRS ACCURACY OF 0.007 METERS  
 DESCRIPTION: CSRS CGPS "PALOS VERDES"

COORDINATES

HORIZONTAL DATUM: NAD-83  
 PROJECTION: CCS-83  
 ZONE: V  
 EPOCH: CSRS 2011.00  
 COMBINATION FACTOR: 1.00007394 CALCULATED AT NORTHING 1730488.57 EASTING 6436084.67 ELEVATION 129.33  
 CONVERGENCE ANGLE: -0°14'07.65" CALCULATED AT NORTHING 1730488.57 EASTING 6436084.67  
 NOTE: COORDINATES, AND DISTANCES INVERSED FROM COORDINATES, ARE GRID. TO OBTAIN GROUND DISTANCES DIVIDE BY THE COMBINATION FACTOR.

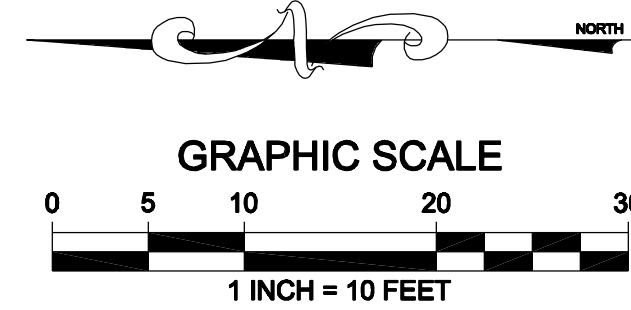
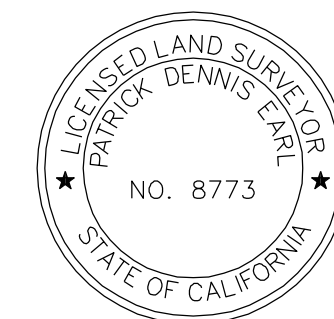
SURVEYOR'S STATEMENT

THIS MAP CORRECTLY REPRESENTS A TOPOGRAPHIC SURVEY MADE BY ME OR UNDER MY DIRECTION ON JUNE 5, 2012.

*Patrick D. Earl*  
 PATRICK D. EARL, P.L.S. 8773

THIS DOCUMENT IS PRELIMINARY UNLESS SIGNED

3/18/2013  
 DATE

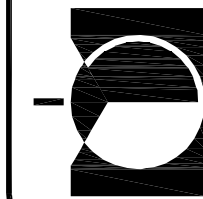


TOPOGRAPHIC SURVEY

BLUFF DRAINAGE CONTROL TOPOGRAPHY  
 RANCHO PALOS VERDES, CALIFORNIA

KDM Meridian

22541 Aspan Street  
 Suite C  
 Lake Forest, CA 92630  
 Phone: (949) 768-0731

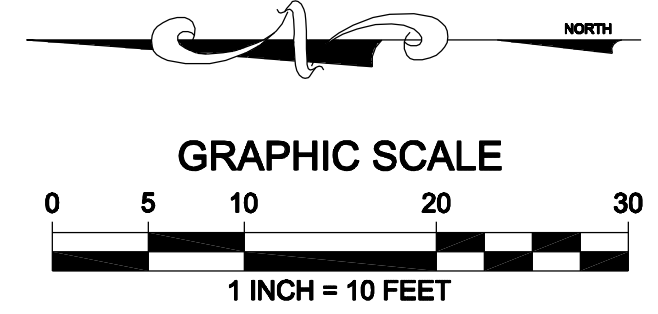
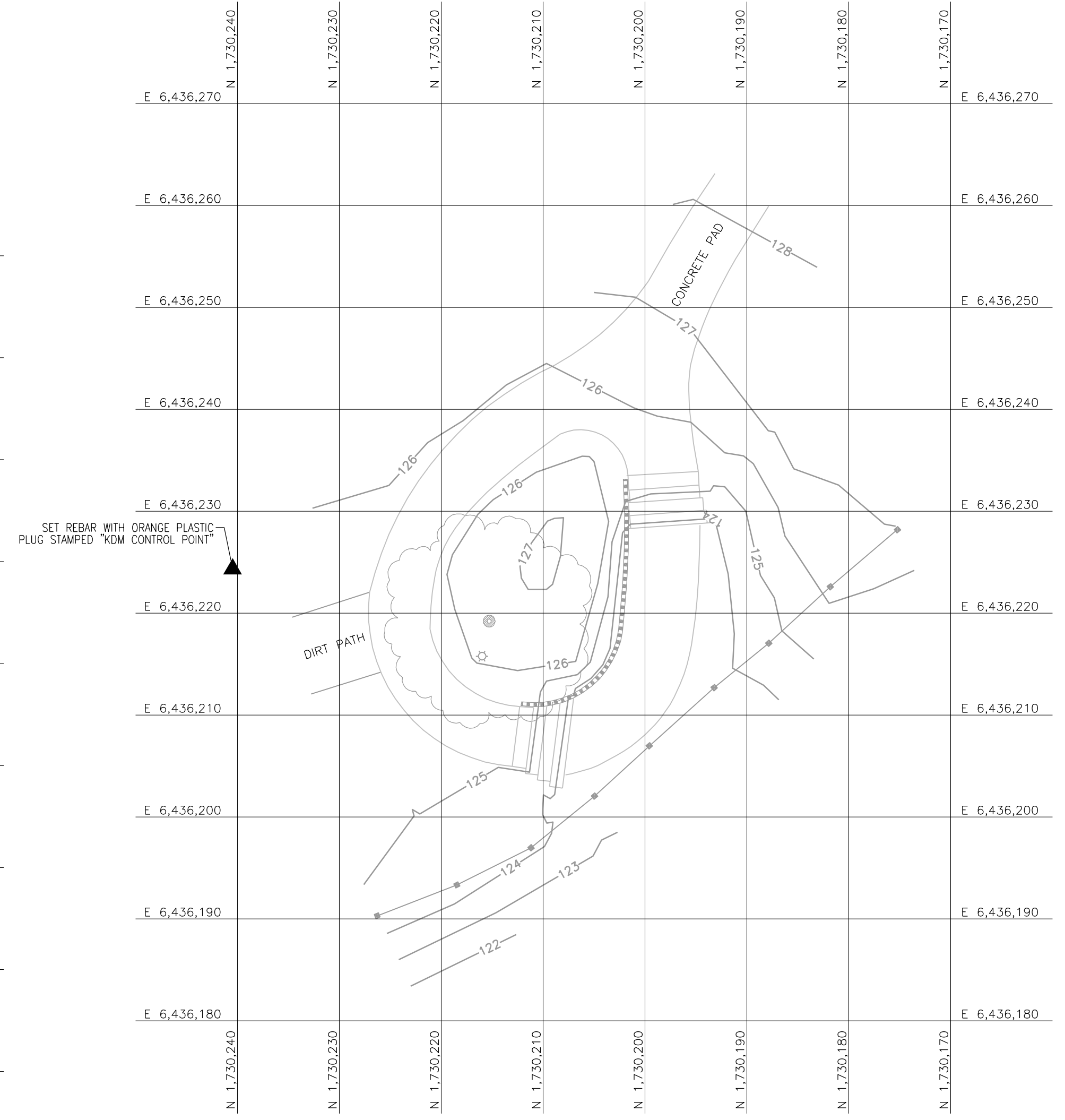
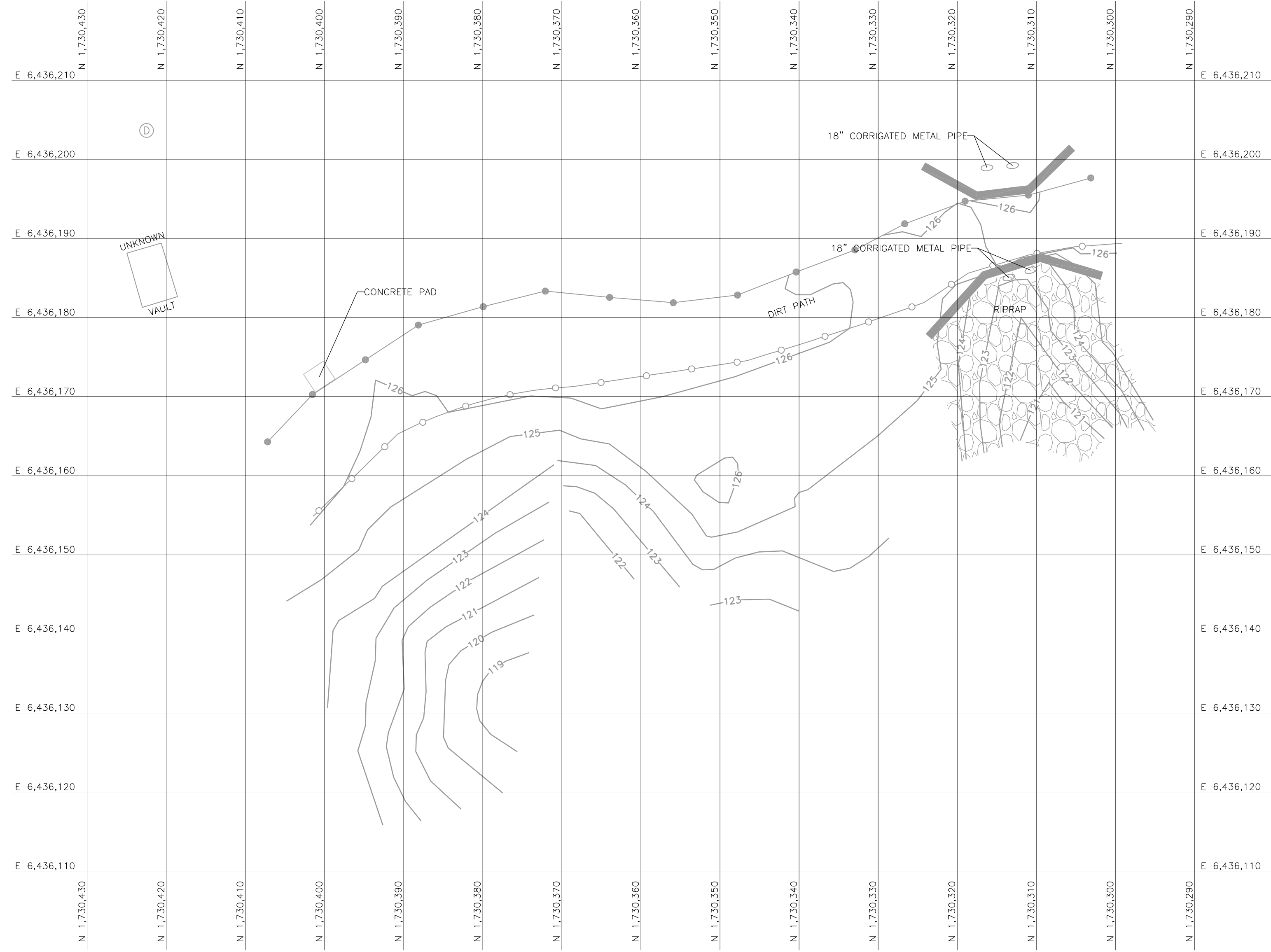
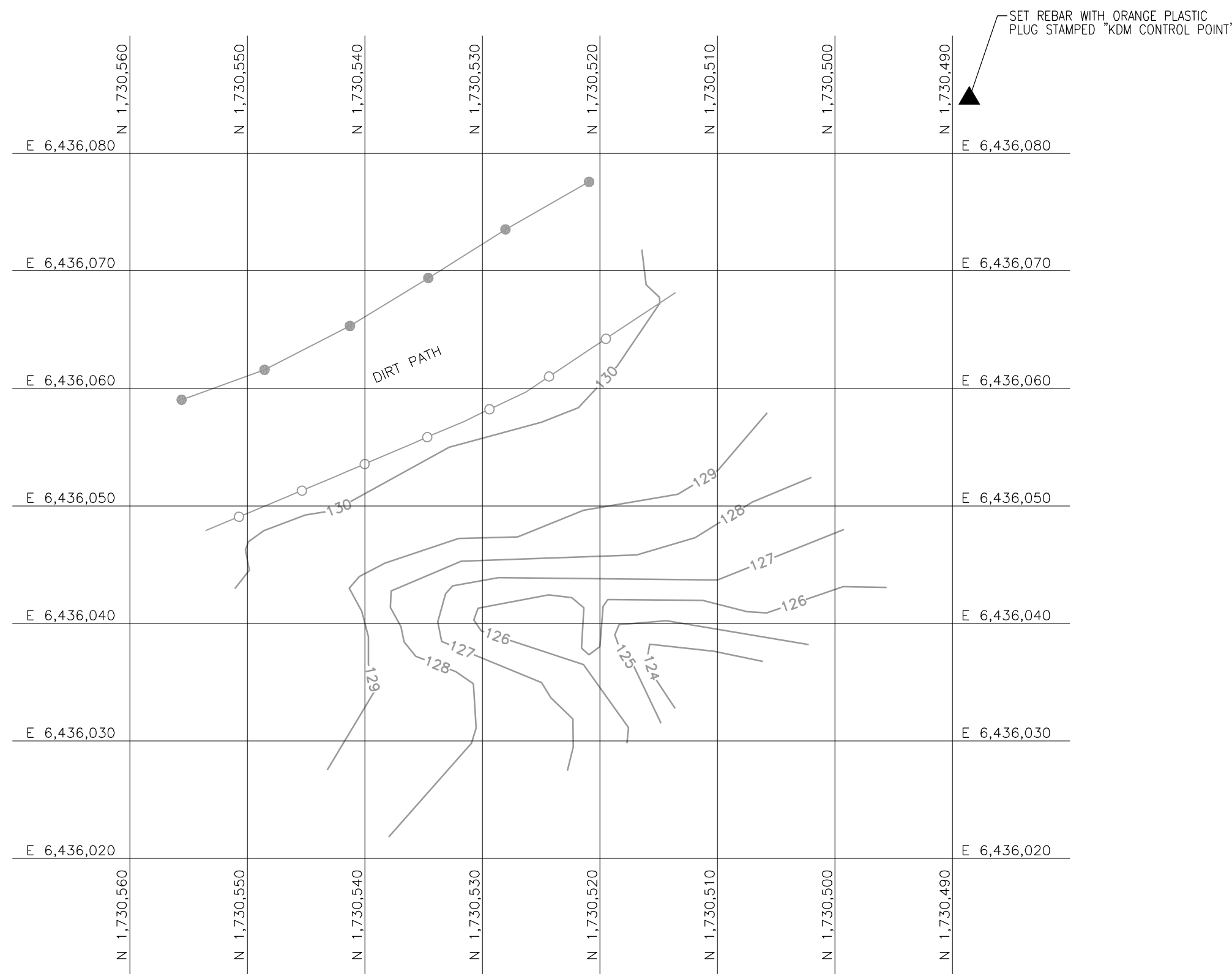


REVISIONS

| NO. | DATE | DESCRIPTION |
|-----|------|-------------|
|     |      |             |
|     |      |             |
|     |      |             |
|     |      |             |
|     |      |             |
|     |      |             |
|     |      |             |
|     |      |             |
|     |      |             |
|     |      |             |

|              |        |             |           |
|--------------|--------|-------------|-----------|
| SURVEY DATE: | 6/5/12 | SCALE:      | 1" = 10'  |
| DRAFTED BY:  | AS     | JOB NUMBER: | 12-RPV-01 |
| CHECKED BY:  | RM     | DWG NAME:   | TOPO      |

SHEET 1 OF 3 SHEETS

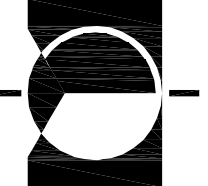


SHEET  
2  
OF  
3  
SHEETS

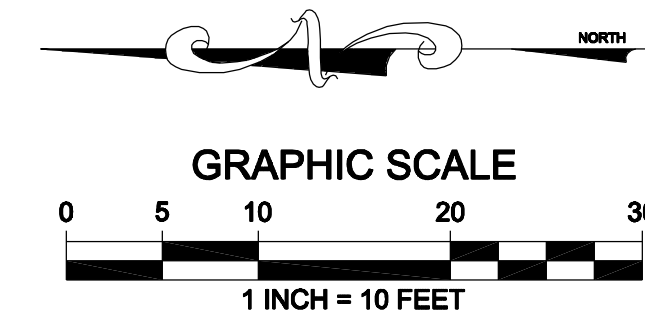
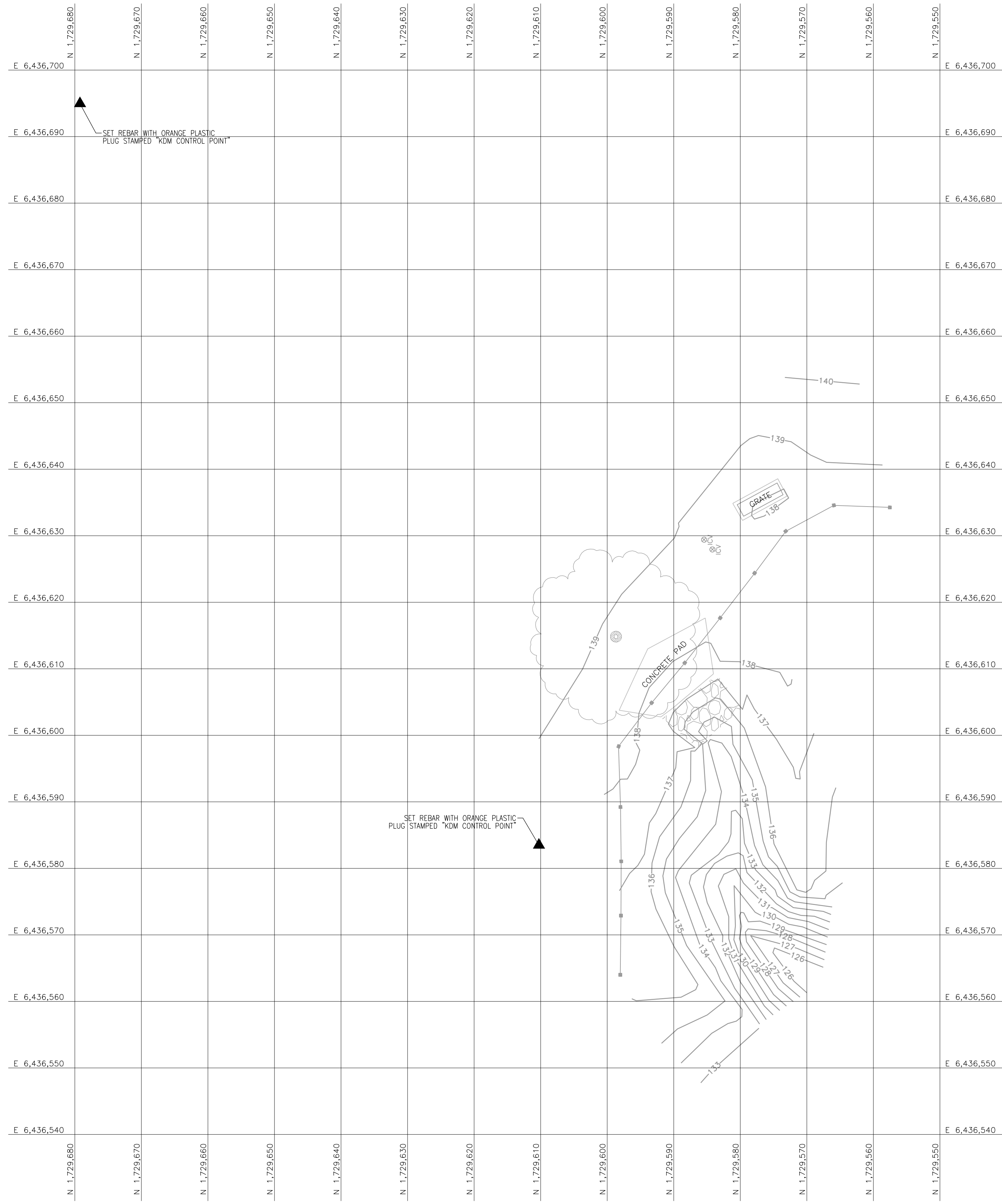
|           |              |        |             |           |
|-----------|--------------|--------|-------------|-----------|
| REVISIONS | SURVEY DATE: | 6/5/12 | SCALE:      | 1" = 10'  |
|           | DRAFTED BY:  | AS     | JOB NUMBER: | 12-RPV-01 |
|           | CHECKED BY:  | RM     | DWG NAME:   | TOPO      |

**TOPOGRAPHIC SURVEY**  
BLUFF DRAINAGE CONTROL TOPOGRAPHY  
RANCHO PALOS VERDES, CALIFORNIA

**KDM Meridian**  
22541 Aspan Street  
Suite C  
Lake Forest, CA 92630  
Phone: (949) 768-0731



THIS DOCUMENT IS PRELIMINARY UNLESS SIGNED



# TOPOGRAPHIC SURVEY

BLUFF DRAINAGE CONTROL TOPOGRAPHY  
RANCHO PALOS VERDES, CALIFORNIA

**KDM Meridian**

22541 Aspan Street  
Suite C  
Lake Forest, CA 92630  
Phone: (949) 768-0731

| REVISIONS | SURVEY DATE: | SCALE:      |
|-----------|--------------|-------------|
|           | 6/5/12       | 1" = 10'    |
|           | DRAFTED BY:  | JOB NUMBER: |
|           | AS           | 12-RPV-01   |
|           | CHECKED BY:  | DWG NAME:   |
|           | RM           | TOPO        |

SHEET  
**3**  
OF  
**3**  
SHEETS

THIS DOCUMENT IS PRELIMINARY UNLESS SIGNED