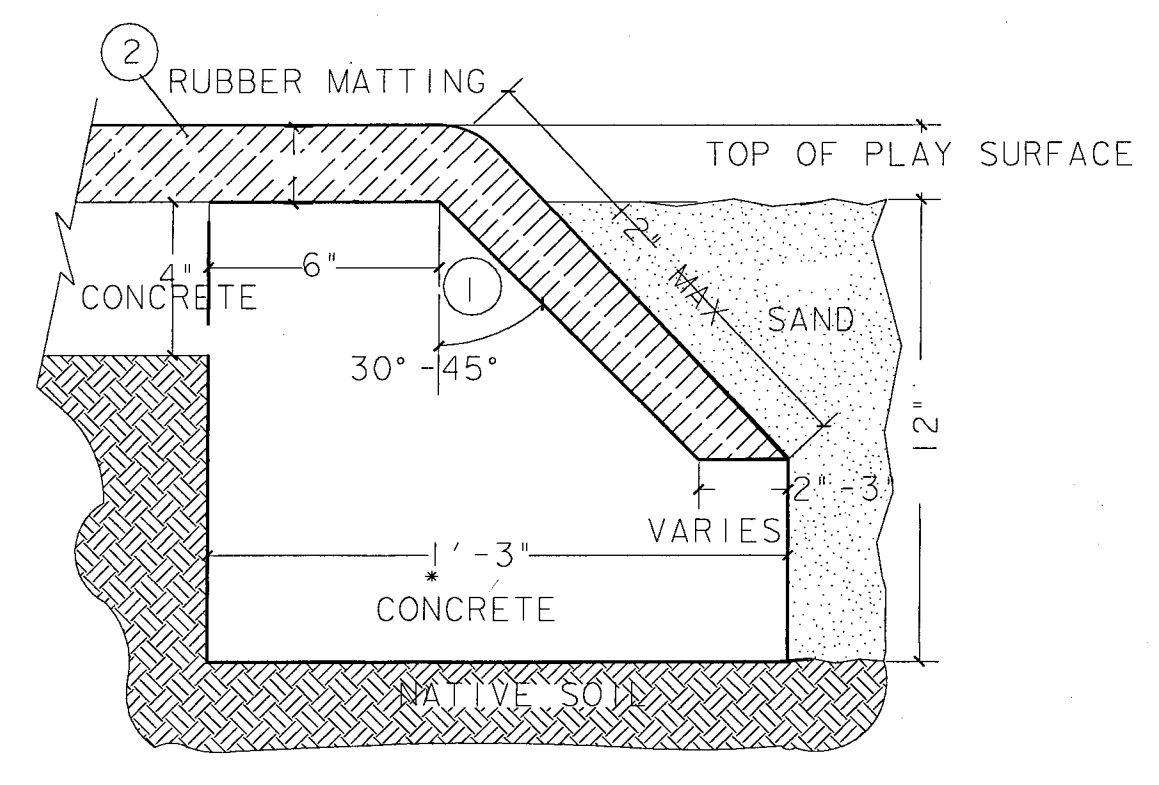
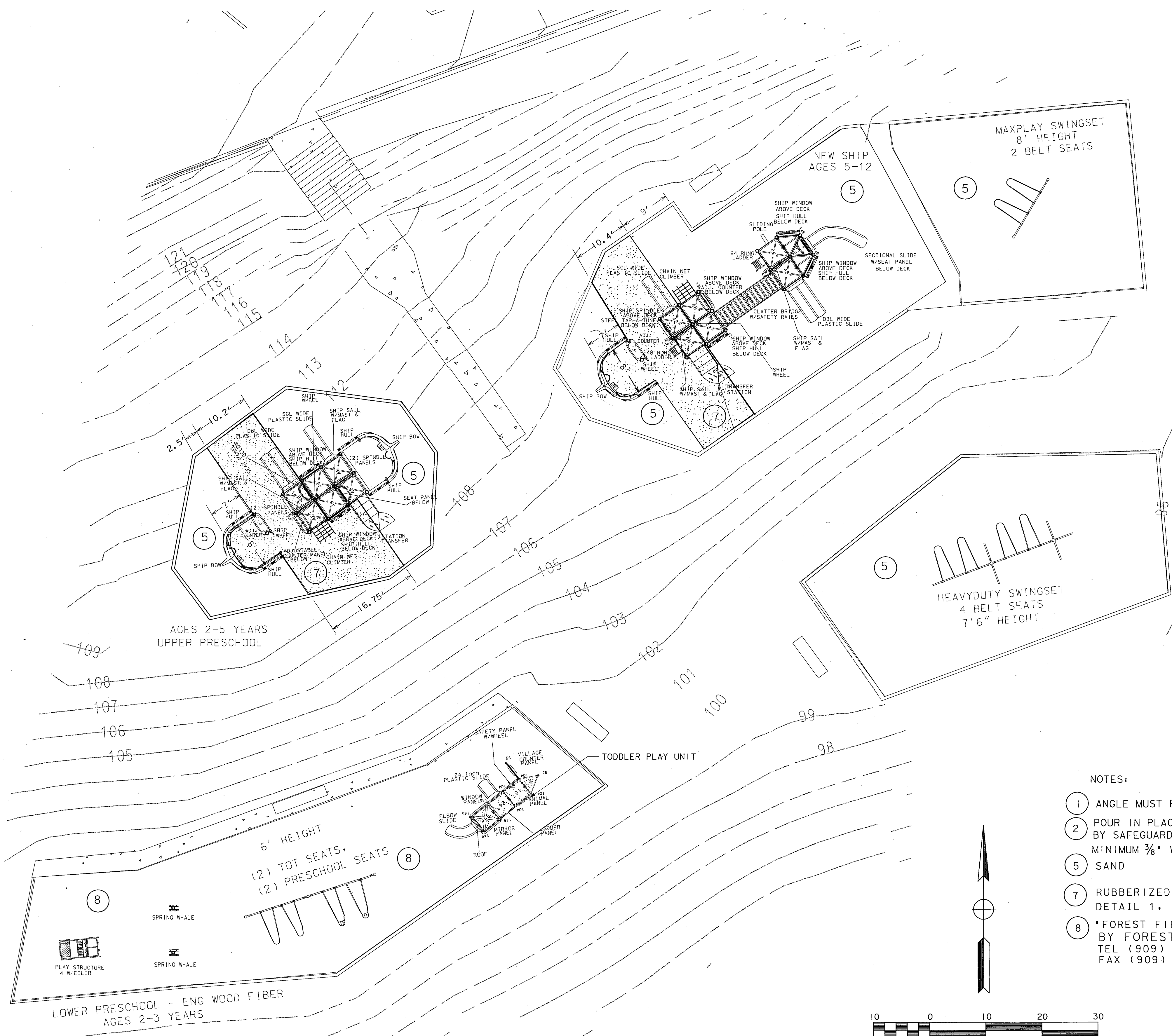
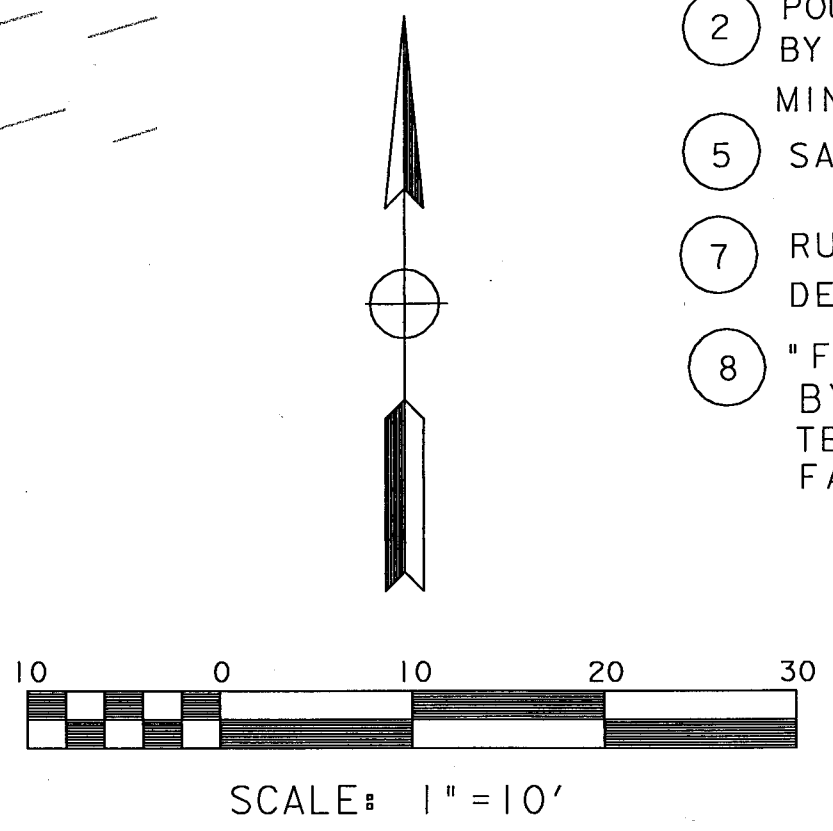


Handwritten: West NAD 97
 21089 WETLANDS

M		L	K	J	I	H	DATE	REVISIONS	DATE										
							DESIGNED BY	CHECKED BY											
							DESIGNED BY	CHECKED BY											
G	F	E	D	C	B	A	PROJECT ENGINEER	CALCULATED/DESIGNED BY	DATE										
1	2	3	4	5	6	7	8	9	10	11	12	13	14	15	16	17	18	19	20



- NOTES:
- (1) ANGLE MUST BE 30° - 45° MAX
 - (2) POUR IN PLACE RUBBER SURFACING SHALL BE 2 INCH THICKNESS BY SAFEGUARD SURFACING, (800) 367-7325
MINIMUM 3/8" WEARING COURSE, COLOR TO BE DETERMINED PRIOR TO CONSTRUCTION
 - (5) SAND
 - (7) RUBBERIZED SURFACE PER DETAIL 1, C-3
 - (8) "FOREST FIBER PLAY" BY FOREST WOOD FIBER PRODUCTS, TEL (909) 678-7574 FAX (909) 678-2684



PLANS PREPARED BY JOHN M. CRUIKSHANK DATE 9/30/05			
RCE NO. 350792			
EXP. DATE 9/30/05			
JOHN M. CRUIKSHANK CONSULTANTS, INC (310) 320-8852 2341 W. 205TH STREET, STE 103, TORRANCE, CA 90501			
DIRECTOR OF PUBLIC WORKS	CITY ENGINEER	DEPUTY CITY ENGINEER	CITY ARCHITECT
EQUIPMENT LOCATION AND SURFACING			
ROBERT E. RYAN COMMUNITY PARK			
RANCHO PALOS VERDES, CA 90275			
RYAN PARK IMPROVEMENTS	PROJECT NO.	32714	
	SCALE	AS SHOWN	
	DATE	10/28/02	
	JOB CAPTAIN	JCS	
	DRAWN BY	JCS	
	CHECKED BY	JMC	
	SHEET NO.	3	
C-3			
OF 7	SHTS		