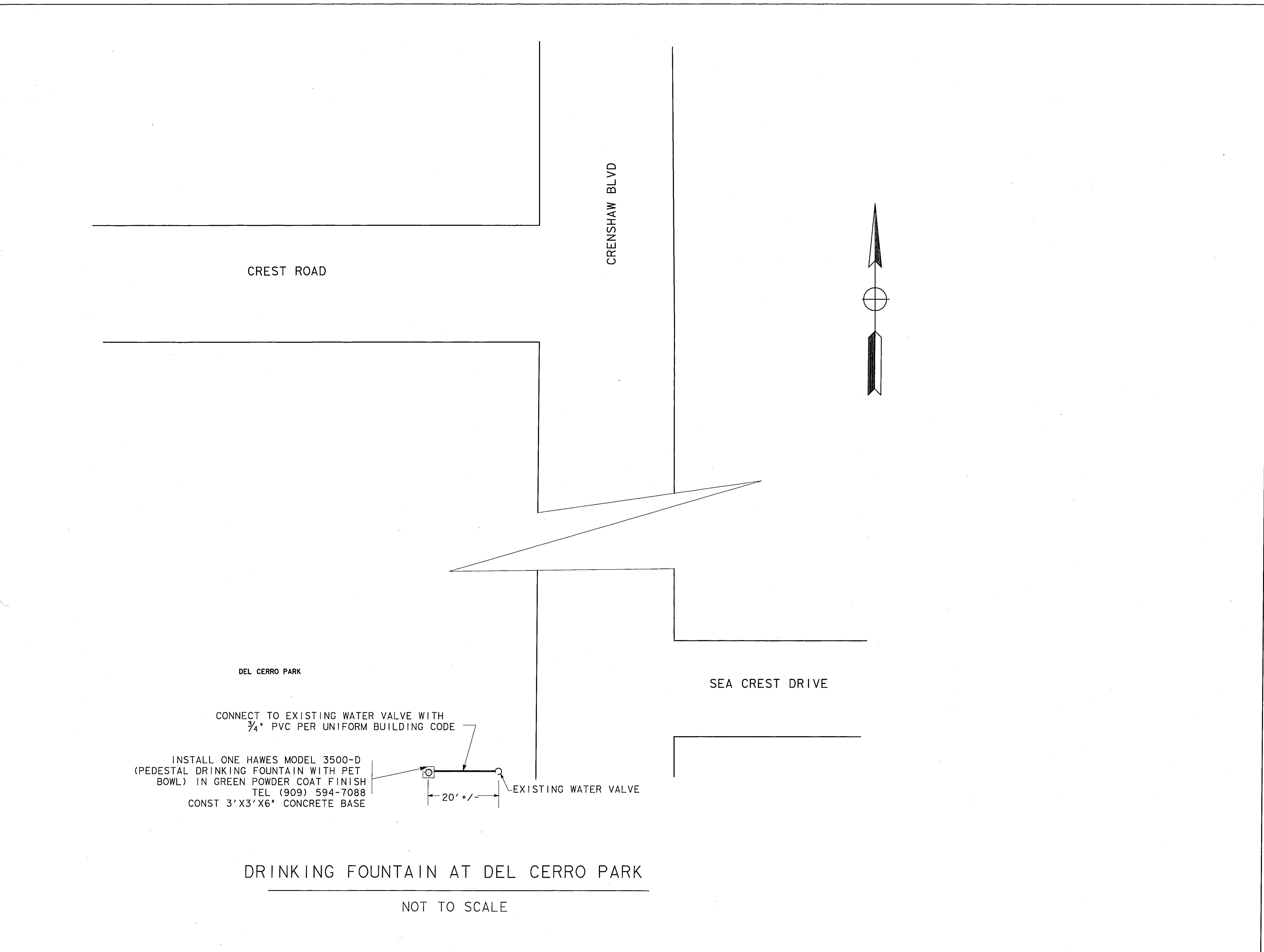


M  
L  
K  
C  
I  
G  
T  
E  
D  
B  
A  
x  
x  
x  
x  
x  
x  
x  
x  
x  
x  
x  
x  
x  
x  
x

DATE	REVISOR	DATE	REVISOR
JCS	JMC	JCS	JMC
CALCULATED/DESIGNED BY	CHECKED BY	CALCULATED/DESIGNED BY	CHECKED BY
PROJECT ENGINEER		PROJECT ENGINEER	



**PLAYGROUND SAFETY GUIDELINES**

Welcome. For your play enjoyment, please obey the following or you may cause injury to yourself or others around you.

No pets allowed.  
No bicycles, roller skates, or skateboard use within play area  
Inspect play area before starting to play and remove litter.  
Children 7 and under should be accompanied by an adult.  
This playground is designed for ages Preschool to 12.

**CAUTION**  
Bare feet may cause injury.  
Throwing sand or any other objects within play area may cause injury.  
Playing on this equipment when wet may cause injury.

**SWINGS**  
Hold on with both hands.  
Standing on swings causes injury.  
Stop swinging before getting off.  
Never swing or twist empty seats.  
Stand clear of moving swing to avoid contact and possible injury.

**SLIDES**  
Slide feet first only.  
No running or walking up slide.

**CLIMBERS**  
No pushing, running, or shoving.  
Play safely and be courteous of others.

If you notice broken equipment or anything that requires immediate attention, call (910) 544-5252. We appreciate your cooperation.  
PLAY-IT-SAFE (902) 695-8433

1. SIGNS SHALL BE POSTED ON 2" ROUND GALVANIZED METAL POSTS MOUNTED IN 6"D, 12" FOOTING

2. ONE SIGN SHALL BE PLACED FACING NORTH AT THE BOTTOM OF STAIRS AT THE PLAY AREAS.

3. ONE SIGN SHALL BE PLACED FACING SOUTH ON THE SOUTH SIDE OF THE PLAY AREAS

4. SIGN AVAILABLE FROM PLAY-IT-SAFE (562) 695-5433

**PLAYGROUND RULES SIGN**  
NOT TO SCALE

**PARKS • WATER**  
**BOND • 2000**

**SPECIFICATIONS**

Minimum finished size: no smaller than 24" x 24"

Sign substrate: 0.050 aluminum with rounded corners

Background color: white

Print colors: dark blue — to match Pantone 301 CVC  
light blue — 20% screen of dark blue  
dark green — to match Pantone 341  
light green — 50% screen of dark green

Line screen: no coarser than 45 lpi

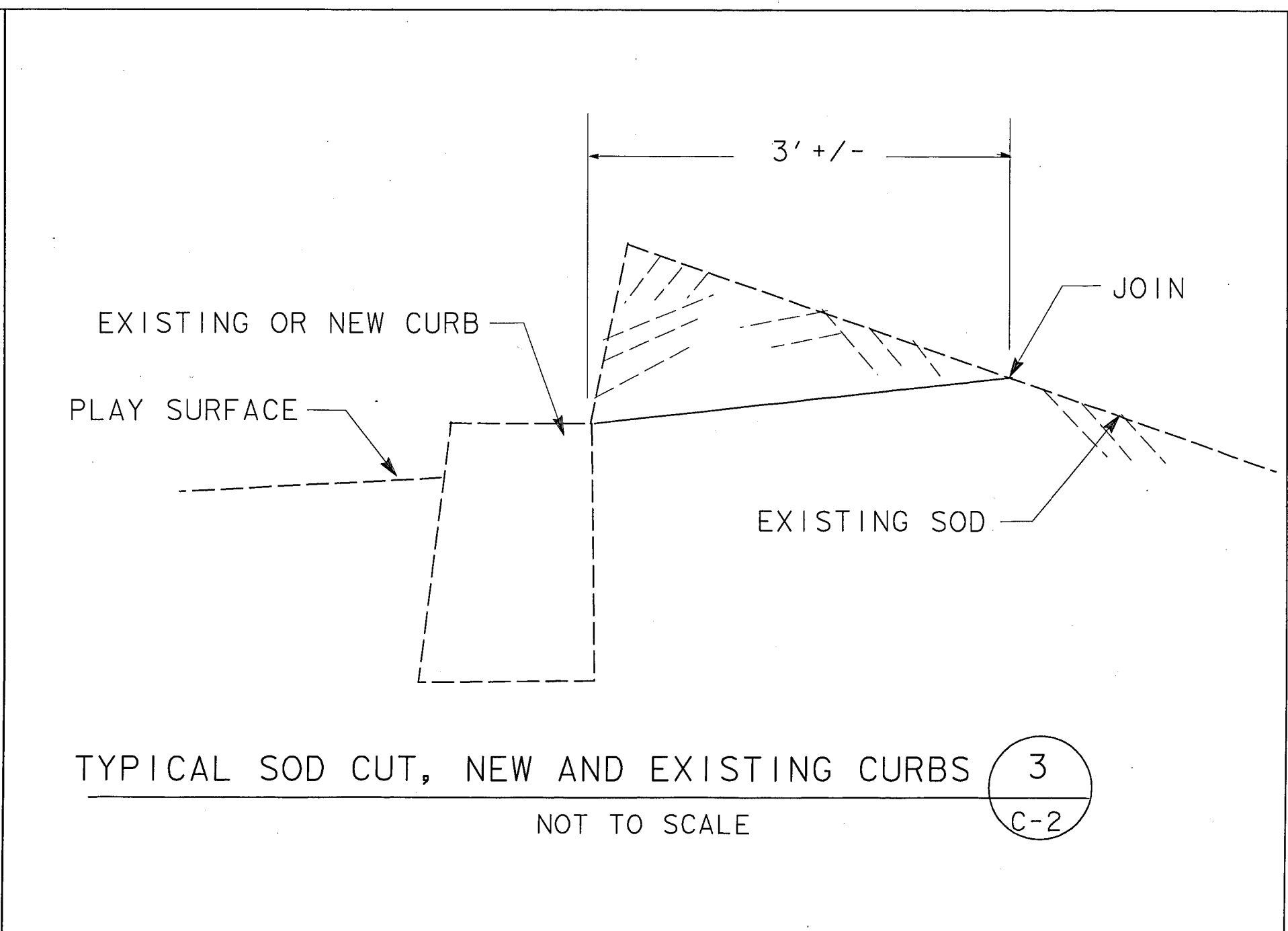
Traps: 0.10" at 100% size (already built into artwork)

1. SIGNS SHALL BE ATTACHED TO THE CONSTRUCTION CHAIN LINK FENCE

2. ONE SIGN SHALL BE PLACED FACING NORTH NEAR THE TOP OF THE STAIRS TO THE PLAY AREAS.

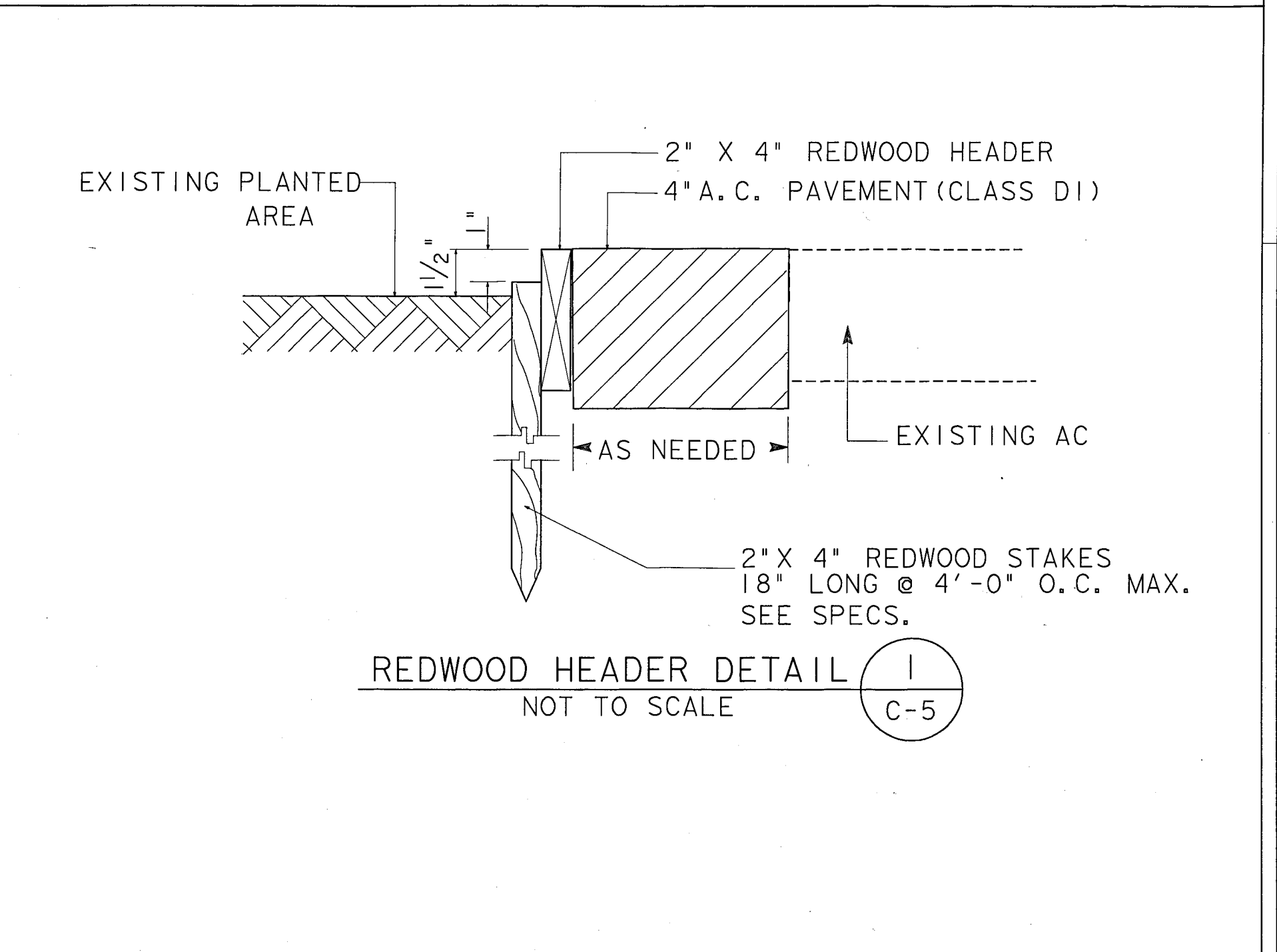
3. ONE SIGN SHALL BE PLACED FACING SOUTH ON THE SOUTH SIDE OF THE PLAY AREAS

**GRANT SIGN**  
NOT TO SCALE



LOCATION	ASPHALT CONCRETE		BASE COURSE		
	THICKNESS	CLASS	THICKNESS	TYPE	GRADE
INSIDE PARK	3"	D1	0	CMB	FINE
PARKING LOT	4"	2" 2"	C2 B	6"	CMB FINE

**TYPICAL AC PAVEMENT SECTION** (2)  
C-6  
NOT TO SCALE

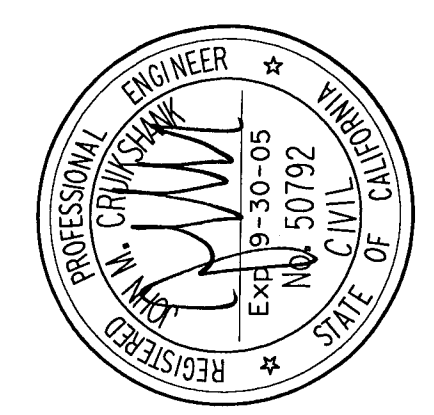


PLANS PREPARED BY

JOHN M. CRUIKSHANK DATE 9/30/05  
C50792

RCE NO. EXP. DATE

JOHN M. CRUIKSHANK CONSULTANTS, INC (310) 320-8852  
2341 W. 205TH STREET, STE 103, TORRANCE, CA 90501



DIRECTOR OF PUBLIC WORKS

CITY ENGINEER

DEPUTY CITY ENGINEER

CITY ARCHITECT

RYAN PARK IMPROVEMENTS

**DETAILS, DRINKING FOUNTAIN AT DEL CERRO PARK**  
**ROBERT E. RYAN COMMUNITY PARK**  
RANCHO PALOS VERDES, CA 90275

BLDG. NO.

PROJECT NO. 32714

SCALE

DATE 10/28/02

JCS  
JOB CAPTAIN

JCS  
DRAWN BY

JMC  
CHECKED BY

SHEET NO. 7

**C-7**

OF 7 SHTS

SHEET 7 OF 7 SHEETS INDEX NUMBER