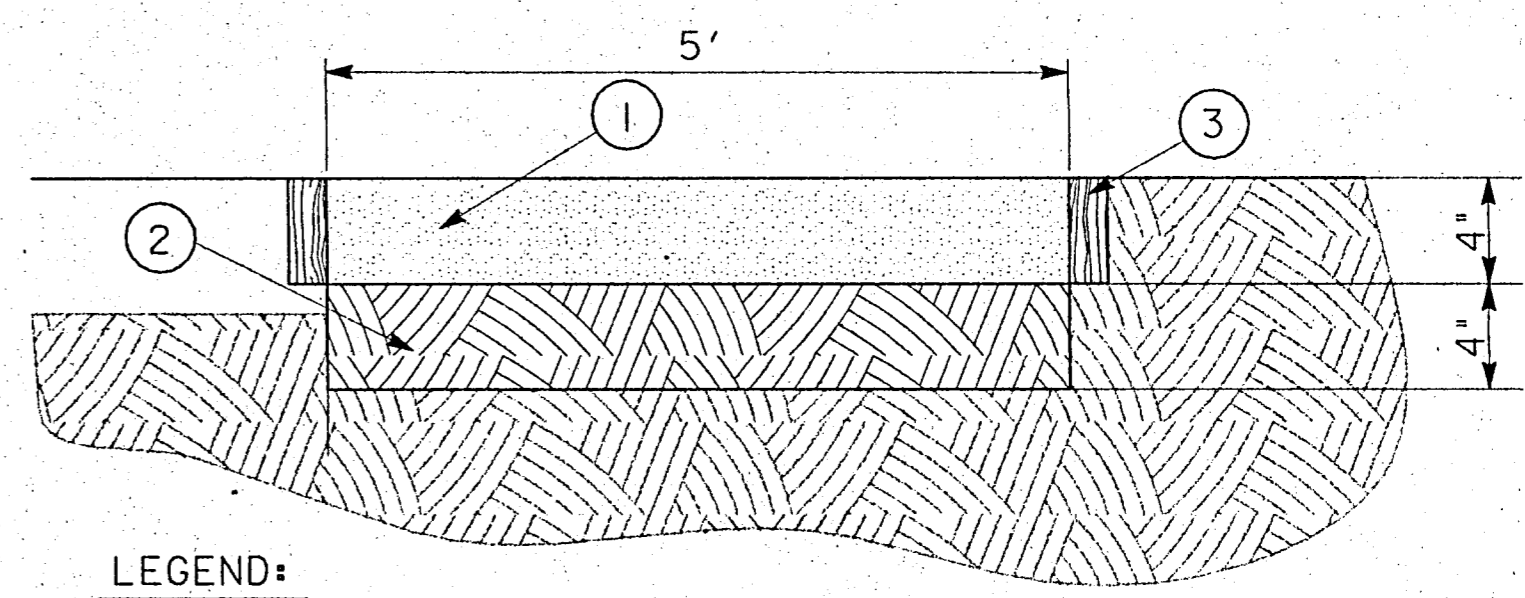


M
L
K
J
I
H
G
F
E
D
C
B
A

DATE REVISIONS BY	DATE REVISIONS BY
10/01 JMC	10/01 JCS
CALCULATED/DESIGNED BY	CHECKED BY
JMC	JCS
PROJECT ENGINEER	

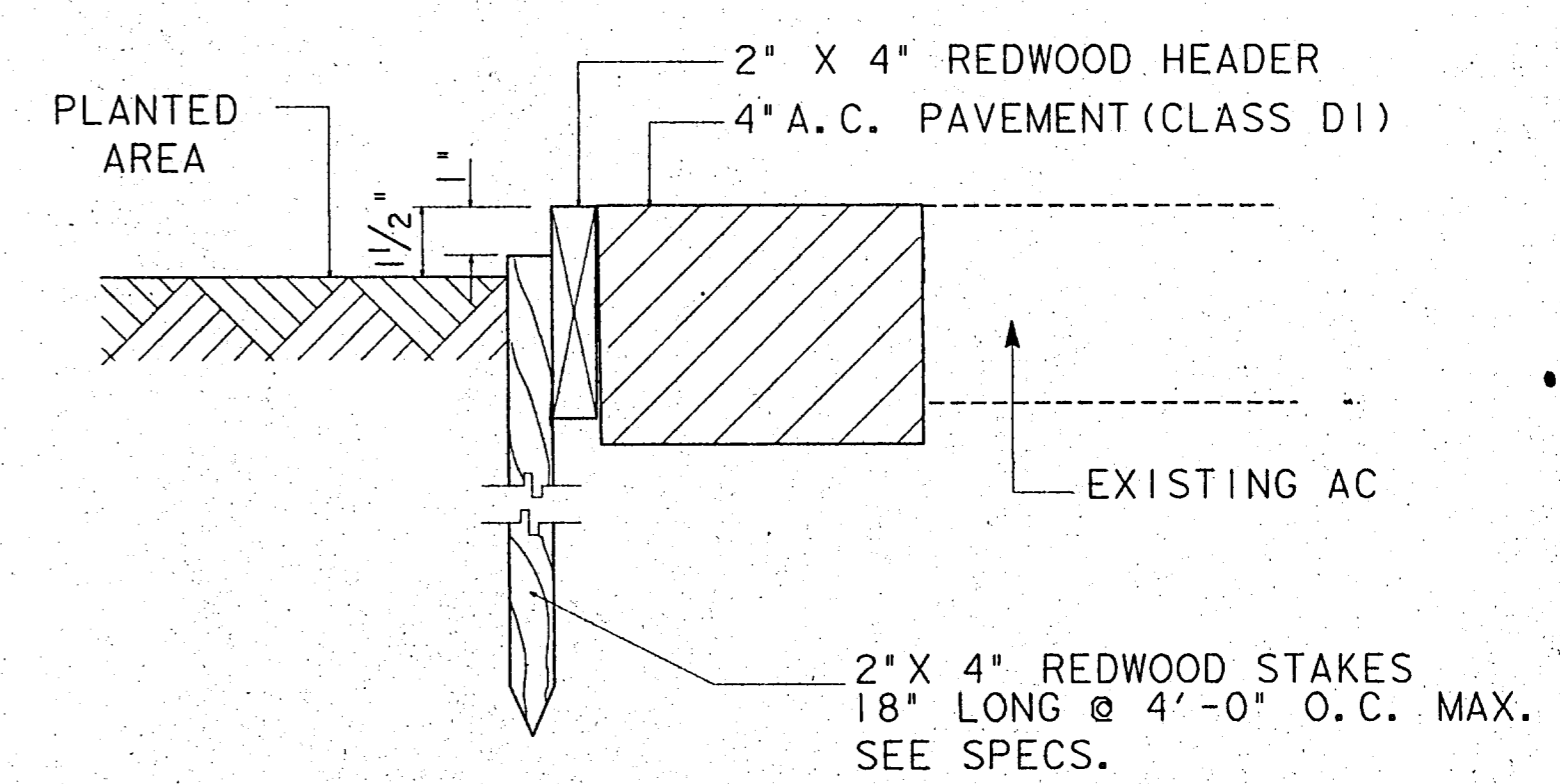
LOCATION	ASPHALT CONCRETE		BASE COURSE	
	THICKNESS	CLASS	THICKNESS	TYPE GRADE
INSIDE PARK	3"	D1	0	CMB FINE
PARKING LOT	4"	2" D1	6"	CMB FINE
		2" B		

TYPICAL AC PAVEMENT SECTION 1
NOT TO SCALE C-2



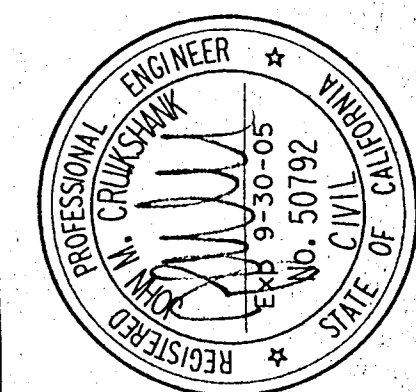
- LEGEND:**
- ① 4" THICK DECOMPOSED GRANITE SURFACE. DG TO BE 1/4" MINUS SIEVE SIZE. SEE SPEC SECTION 02722.
 - ② NATIVE SOIL, SCARIFY AND COMPACT TO 90%.
 - ③ 2" X 4" REDWOOD HEADER

DECOMPOSED GRANITE DETAIL C-2
NOT TO SCALE 2



REDWOOD HEADER DETAIL 3
NOT TO SCALE C-2

PLANS PREPARED BY
JOHN M. CRUIKSHANK
CSD792
RCE NO.
DATE 9/30/05
EXP. DATE
JOHN M. CRUIKSHANK CONSULTANTS, INC. (310) 320-8852
2341 W. 205TH STREET, STE 103, TORRANCE, CA 90501



CITY ENGINEER	ARCHITECT	STRUCTURAL ENG.	BLDG. MECH. ENG.	SOILS ENGINEER
DEPUTY CITY ENGINEER				
CITY ARCHITECT				
CONSTRUCTION DETAILS				
ROBERT E. RYAN COMMUNITY PARK				
RANCHO PALOS VERDES, CA 90275				
PARK RENOVATION	PROJECT NO.	32714		
SCALE	DATE	10/10/01		
JOB CAPTAIN	JMC			
DRAWN BY	JMC			
CHECKED BY	JCS			
SHEET NO.	4			
C-4				
OF 4 SHTS				

SHEET 4 OF 4 SHEETS INDEX NUMBER